



Value and versatility defined

Replace your 100W MH “barn light” with the powerful TDD LED luminaire that consumes only 20 watts for energy savings of up to 84%. The slim housing style offers a fresh update to the traditional appearance.



TDD LED replaces up to **100W MH**

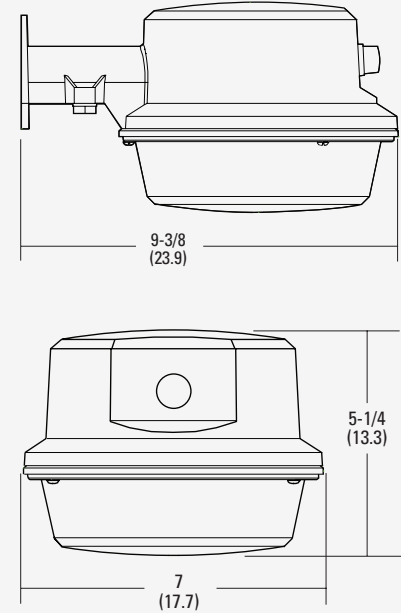


# Value and versatility defined

www.lithonia.com

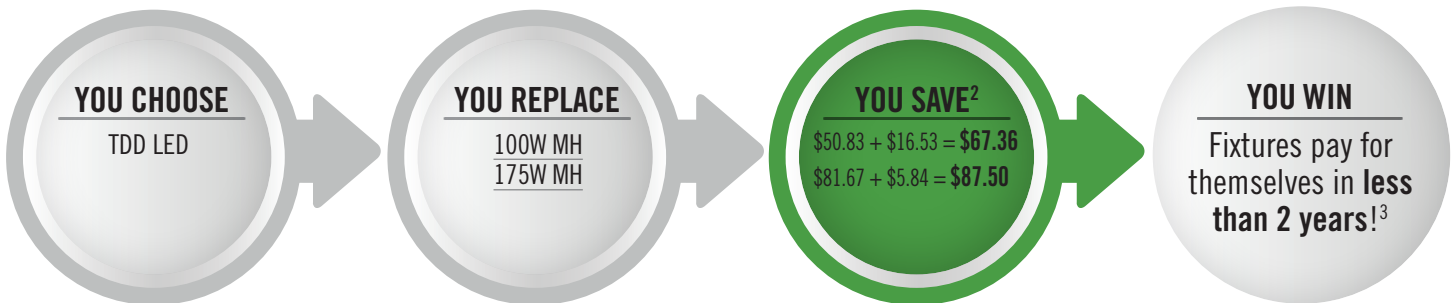


## Product Dimensions



- Impact resistant polycarbonate lens provides an even light distribution and protects electronics
- 50,000 hour LED life<sup>1</sup>
- Includes standard photo cell for dusk to dawn operation
- Easily mounts to existing 1-5/8" mounting arm or directly to wall or post
- Highly efficient LEDs provide 69 lumens per watt

<sup>1</sup> LED lifespan based on IESNA LM-80-08 results and calculated per IESNA TM-21-11 methodology.



<sup>2</sup> Annual Energy + Annual Lamp Replacement Cost = Total Annual Savings

<sup>3</sup> Based on 12 hours operation per day and energy costs of \$.11 per kWh

### ORDERING INFORMATION

Example: TDD LED 1 40K 120 PE

TDD LED		Light Engine		Color Temperature		Voltage		Controls		Finish	
TDD LED	LED Area Light	1	1412 lumens	40K	4000K <sup>4</sup>	120	120 Watts	PE	Photocell	(blank)	Grey



#### Notes

<sup>4</sup> Correlated Color Temperature (CCT) shown is nominal per ANSI C78,377-2008.