

LED Corn Bulb Lamp Series



5 Years Warranty



Specifications

Model	PLT-5103
Rate Power	36W
Input Voltage	AC100-277V 50-60Hz
CCT	5000K
Power Factor	≥0.9
CRI	>80
Lumen	4495lm
Chips	Samsung
LED Quantity	108LEDs 0.3W
LED LM80	Yes



Samsung LM561B



Rubycon

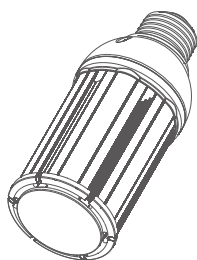
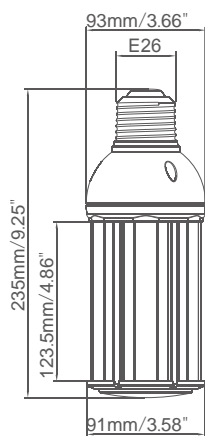


E26

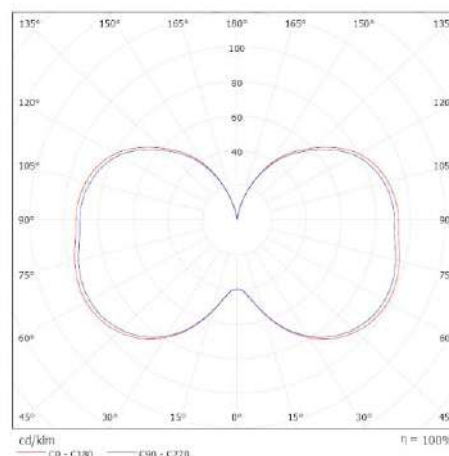


JAE Connector

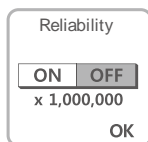
Dimension



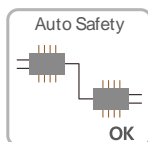
Luminous emittance



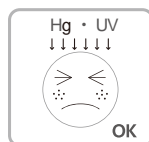
Long Lifespan of 10years



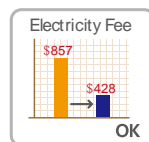
Reliability Test



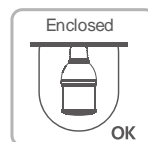
Safety Protection Circuit



No Mercury No UVLight



Big Saving(87%) on Electricity Costs

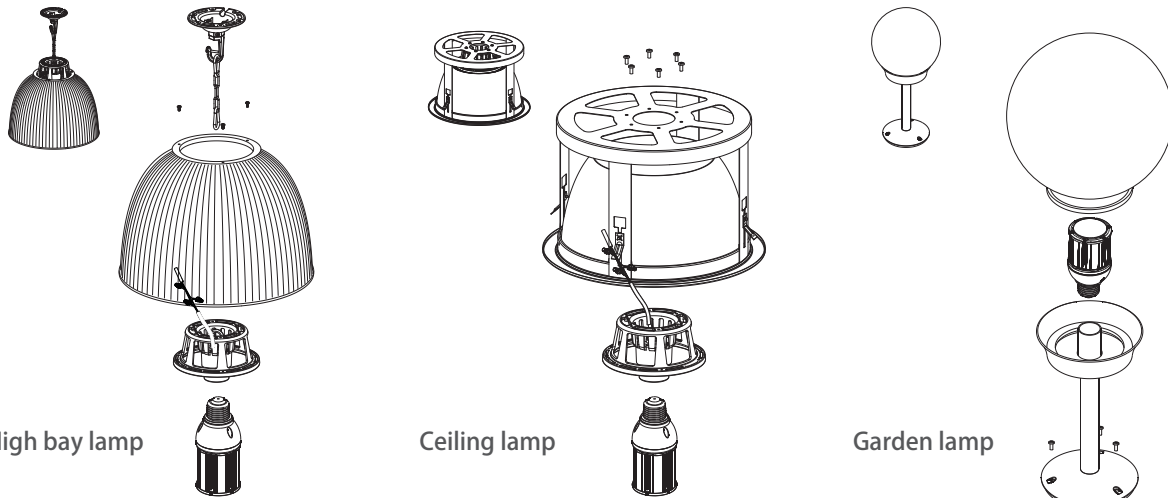


Usable in Enclosed Luminaires



Omni Wide Angle

Installation



High bay lamp

Ceiling lamp

Garden lamp

Absolute Maximum Rating

Label

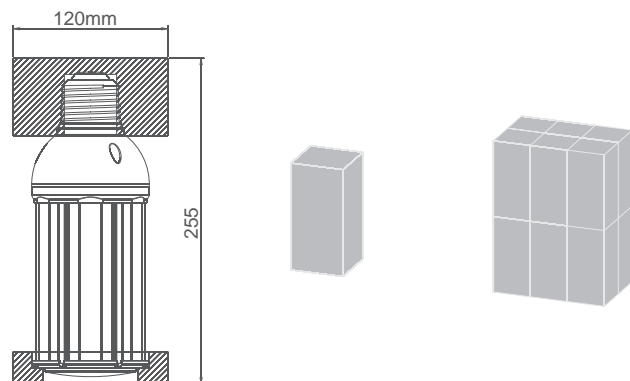
Parameter	Rating	Units
Aluminum Heat Sink Temperature	61.8	° C
Operating Temperature	-20~+65	° C
Storage Temperature	-40~+80	° C
Equilibrium Temperature	25	° C

LED Corn Bulb lamp
Model:PLT-5103
AC100-277V 50-60Hz
Power:36W CCT:5000K

LED Corn Bulb lamp
Model:PLT-5103
AC100-277V 50-60Hz
Power:36W CCT:5000K

Product Packing Specification

Packing Details	
Pack Quantity	12pcs
Net Weight	1.6lbs/816g
Gross Weight Per CTN	24lbs/12.1kg
Box Size	126*126*267mm
CTN Size	395*266*554mm



⚠ CAUTIONS

- Make sure remove the traditional ballast before replace the LED corn light.
- Don't take apart the product or replace mechanical and electronic components.
- Don't stare at the strong light for a long time as it may cause injury to eyes.