

83512

LED SHOE BOX FIXTURE

TECHNICAL DATA SHEET

FEATURES



OUTDOOR POLE/ARM-MOUNTED AREA AND ROADWAY LUMINAIRES

- Elegant and modern appearance
- Hollow heat sink design, fixture is lighter with excellent heat dissipation.
- High quality Samsung Chips
- Meanwell Driver
- Lifespan of 50,000 hours or more
- IP65

APPLICATION

Parking lot, street and building perimeter lighting.



SUITABLE FOR
WET
LOCATIONS

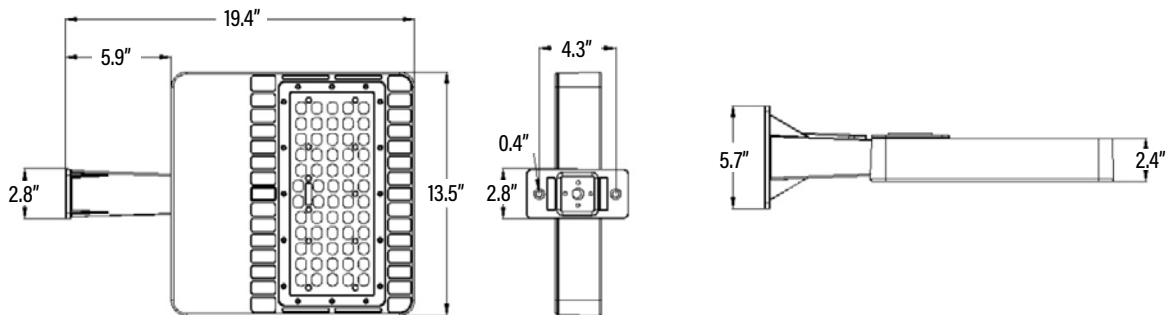


SPECIFICATIONS

Power Consumption	100W
Input Voltage	90-295V
Power Factor	0.9
THD	13.2
Lumens	10853
Luminous Efficiency	109 Lm/W
Color Temperature	5000K
CRI	75
Beam Angle	120°
Light Distribution	Type II
Finish	Bronze
Dimensions (Inches)	13.5"(L) x 13.5"(W) x 2.4"(H)
Weight	6.4kg / 14 lbs
LED	
LED Driver	Meanwell HLG-100H-36A
LED Type	Samsung
LED Quantity	48
LIFESPAN & ENVIRONMENT	
Average Life	50,000
Storage Temperature	-40°C ~ 50°C

DIMENSIONS

Adjustable bracket image with dimensions are on page 2.



ORDERING

ITEM#	DESCRIPTION	WATTS	COLOR	LUMENS	CRI	VOLT	HOUSING	HOURS	CASE
83512	LED SHOE BOX FIXTURE 100W/50K/90-295V/POLE/WALL MOUNT/BRONZE	100	5000K	10853	75	90-295V	BRONZE	50,000	1
BRACKET OPTIONS									
83530	LED SHOE BOX FIXTURE FITTING - ADJUSTABLE SLIP FITTER/BRONZE								1
83610	ADAPTER FROM ROUND TO FLAT POLE/BRONZE								1
83612	ADAPTER TO MOUNT A SLIP FITTER ON A FLAT POLE OR WALL/BRONZE								1

Published lumens on LED products are approximate and may vary slightly.

83512

LED SHOE BOX FIXTURE

TECHNICAL DATA SHEET

ADJUSTABLE BRACKET

Item#: 83530
LED SHOE BOX FIXTURE FITTING- ADJUSTABLE SLIP FITTER

