

# 83505

## LED SHOE BOX FIXTURE

### TECHNICAL DATA SHEET

#### FEATURES



#### OUTDOOR POLE/ARM-MOUNTED AREA AND ROADWAY LUMINAIRES

- Elegant and modern appearance
- Hollow heat sink design, fixture is lighter with excellent heat dissipation.
- High quality Samsung Chips
- Meanwell Driver
- Lifespan of 50,000 hours or more
- IP65

#### APPLICATION

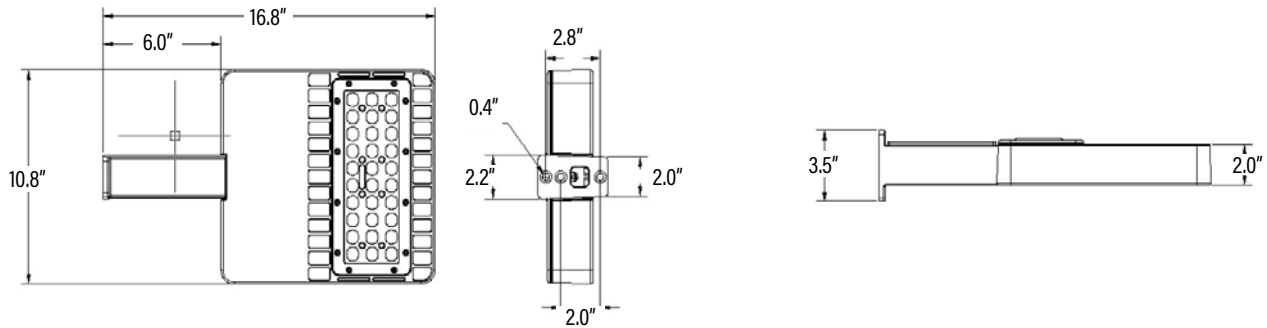
Parking lot, street and building perimeter lighting.



#### SPECIFICATIONS

<b>Power Consumption</b>	<b>24W</b>
Input Voltage	90-295V
Power Factor	0.9
THD	19.8
Lumens	2445
Luminous Efficiency	102 Lm/W
Color Temperature	5000K
CRI	75
Beam Angle	120°
Light Distribution	Type II
Finish	Bronze
Dimensions (Inches)	10.8"(L) x 10.8"(W) x 2"(H)
Weight	4.0kg / 8.8 lbs
<b>LED</b>	
LED Driver	Meanwell LPF-40-48
LED Type	Samsung
LED Quantity	10
<b>LIFESPAN &amp; ENVIRONMENT</b>	
Average Life	50,000
Storage Temperature	-40°C ~ 50°C

#### DIMENSIONS *Adjustable bracket image with dimensions are on page 2.*



#### ORDERING

ITEM#	DESCRIPTION	WATTS	COLOR	LUMENS	CRI	VOLT	HOUSING	HOURS	CASE
83505	LED SHOE BOX FIXTURE 24W/50K/90-295V/POLE/WALL MOUNT/BRONZE	24	5000K	2445	75	90-295V	BRONZE	50,000	1
<b>BRACKET OPTIONS</b>									
83530	LED SHOE BOX FIXTURE FITTING - ADJUSTABLE SLIP FITTER/BRONZE								1
83610	ADAPTER FROM ROUND TO FLAT POLE/BRONZE								1
83612	ADAPTER TO MOUNT A SLIP FITTER ON A FLAT POLE OR WALL/BRONZE								1

*Published lumens on LED products are approximate and may vary slightly.*

# 83505

## LED SHOE BOX FIXTURE

### TECHNICAL DATA SHEET

#### ADJUSTABLE BRACKET

**Item#: 83530**

LED SHOE BOX FIXTURE FITTING- ADJUSTABLE SLIP FITTER

