

# Skylark® C•L® Dimmer

Dimmer for CFL and LED dimmable bulbs.

## Features

- On/off rocker switch with a linear-slide dimmer for a standard designer wallplate opening
- HED™ Technology: Lutron's advanced dimming circuitry designed for compatibility with most high efficacy light bulbs
- UL Listed to control:
  - Dimmable Compact Fluorescent Lamps (CFL) with integrated ballast
  - Dimmable LED with integrated driver
  - Halogen
  - Incandescent
- Low-end adjustment to accommodate a wide range of bulbs
- Switch returns load to previous level
- 100% factory tested

## Application Requirements

- **When using CFLs or LEDs, only bulbs marked or rated as Dimmable can be used.**
- For a complete list of approved DIMMABLE CFLs and LEDs please visit [www.lutron.com/dimcflled](http://www.lutron.com/dimcflled) or call 1.800.523.9466.
- Some dimmable CFLs and LEDs require a minimum of 2 bulbs for proper operation. For details and a list of bulbs, please visit [www.lutron.com/dimcflled](http://www.lutron.com/dimcflled).

## Colors and Finishes:

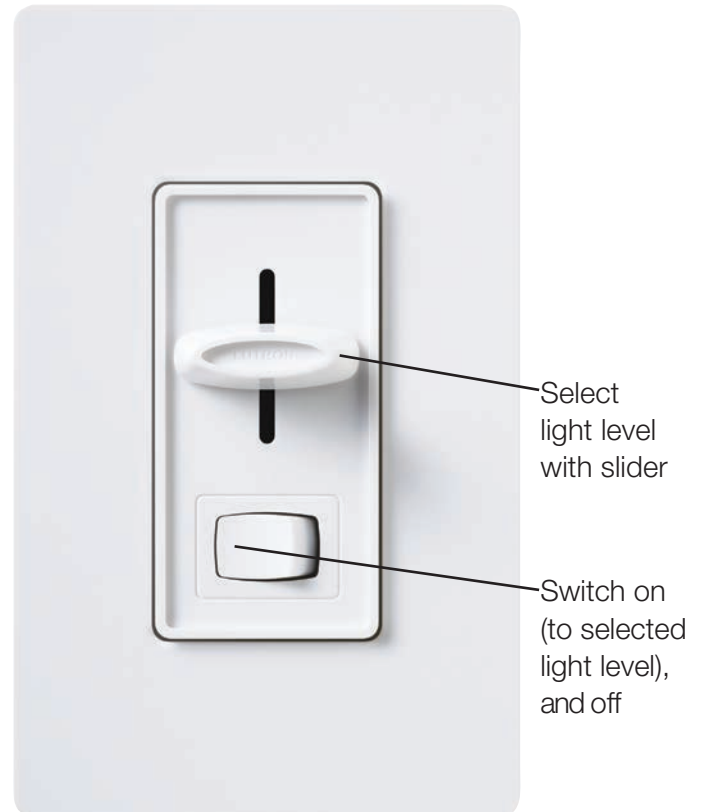
### Gloss Finishes

Add color suffix to model #

**Example: SCL-153P-WH**

WH	White
IV	Ivory
AL	Almond
LA	Light Almond
GR	Gray
BR	Brown
BL	Black

**LUTRON** SPECIFICATION SUBMITTAL



Select light level with slider

Switch on (to selected light level), and off

Wallplate sold separately

## Model Number

**SCL-153P-XX<sup>1</sup>** Single pole/3-way<sup>2</sup>

### Notes:

<sup>1</sup> Replace XX with color suffix; see left.

<sup>2</sup> For 3-way and 4-way switching, use Claro® switches or other mechanical switches.

<b>Job Name:</b>	<b>Model Numbers:</b>
<b>Job Number:</b>	

## Specifications

### Regulatory Approvals

- UL Listed to US and Canadian safety standards UL1472 / CSA C22.2 184.1
- NOM

### Power and Ratings

- 120 V~ 60 Hz
- 150 W Dimmable CFL/LED
- or**
- 600 W Incandescent/Halogen
- or**
- Mixed bulb type per **Multigang and Mixed Bulb Type Ratings** table (see page 3)

### Environment

- For indoor use only
- Operating temperatures 32 °F (0 °C) to 104 °F (40 °C)

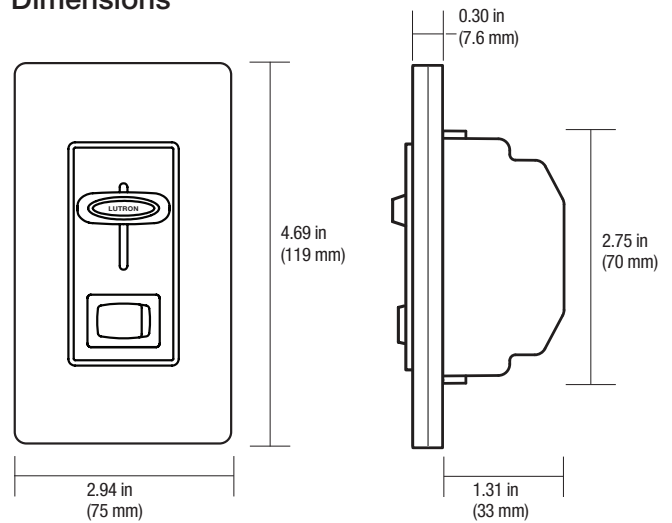
### Performance

- Power-failure memory
- Linear slider
- Electrostatic discharge tested
- Precise color matching
- Mechanical air-gap switch to disconnect load power

### Product Specific Features

- Capable of controlling up to 150 W Dimmable CFL/LED or 600 W Incandescent/Halogen or Mixed bulb type per **Multigang and Mixed Bulb Type Ratings** table (see page 3)

### Dimensions



**Note:** Requires a U.S. wallbox 2½ in (64 mm) deep minimum.

### Warranty

- 1 Year Limited Warranty  
For additional Warranty information, please visit [http://www.lutron.com/TechnicalDocumentLibrary/369-119\\_Wallbox\\_Warranty.pdf](http://www.lutron.com/TechnicalDocumentLibrary/369-119_Wallbox_Warranty.pdf)

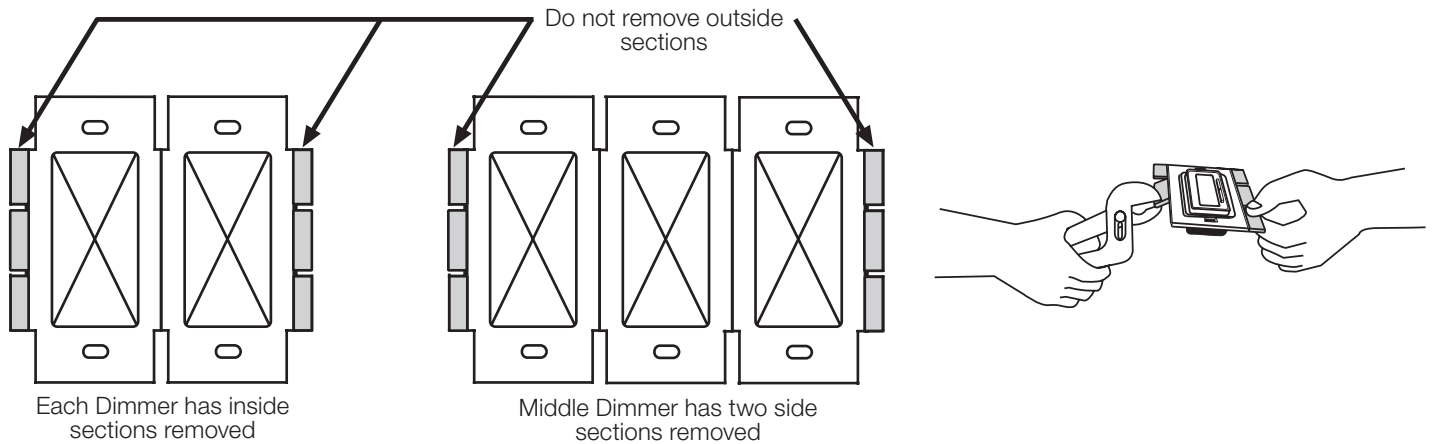
Job Name:	Model Numbers:
Job Number:	

## Multigang and Mixed-Bulb-Type Ratings

When installing more than one Dimmer in the same wallbox, it may be necessary to remove all inner side sections prior to wiring (see diagram). Removal of Dimmer side sections may reduce maximum wattage, as shown in the chart below.

Mixing bulb types (\*using a combination of CFL/LED, and Incandescent/Halogen bulbs) will also change the maximum ratings, as shown in the chart below.

\*EXAMPLE: If one set of side sections is removed and you have two 24 W CFL bulbs installed (Total CFL Wattage = 48 W), you may add up to 300 W of incandescent or halogen lighting.

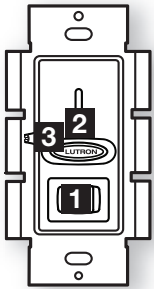


Total CFL/LED Wattage Installed (Watts per bulb x # of bulbs)	CFL LED	Maximum Allowable Incandescent/Halogen Wattage*		
		No sides removed	1 side removed	2 sides removed
0 W	+	600 W	500 W	400 W
1 W – 25 W	+	500 W	400 W	300 W
26 W – 50 W	+	400 W	300 W	200 W
51 W – 75 W	+	300 W	200 W	100 W
76 W – 100 W	+	200 W	100 W	50 W
101 W – 125 W	+	100 W	50 W	0 W
126 W – 150 W	+	0 W	0 W	0 W

Job Name:	Model Numbers:
Job Number:	

# Dimmer Features (View with wallplate removed)

Models with a lever-type adjustment dial

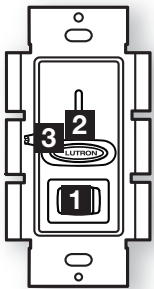


**1 Switch**  
Turns lights ON and OFF.

**2 Slider**  
Controls light level.  
**+ Up**  
Increases light level  
**- Down**  
Decreases light level  
**IMPORTANT: Set slider to bottom before adjusting dimming range.**

**3 Adjustment dial (for low end)**  
Sets dimming range.  
**Up (clockwise)**  
Increases brightness  
**Down (counter-clockwise)**  
Decreases brightness

Models with a wheel-type adjustment dial



**1 Switch**  
Turns lights ON and OFF.

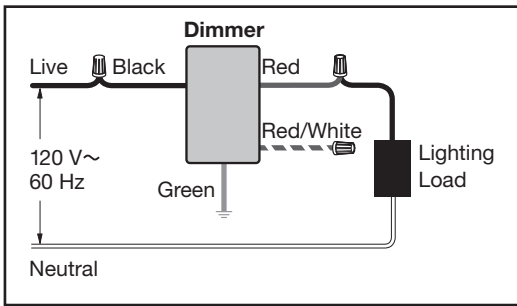
**2 Slider**  
Controls light level.  
**+ Up**  
Increases light level  
**- Down**  
Decreases light level  
**IMPORTANT: Set slider to bottom before adjusting dimming range.**

**3 Adjustment dial (for low end)**  
Sets dimming range.  
**Up (clockwise)**  
Decreases brightness  
**Down (counter-clockwise)**  
Increases brightness

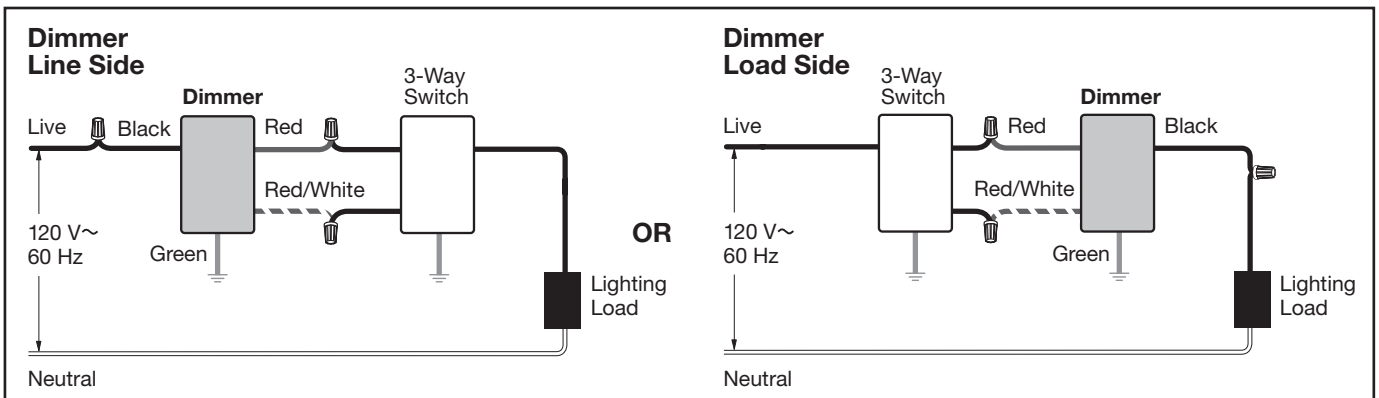
Job Name:	Model Numbers:
Job Number:	

# Wiring Diagrams

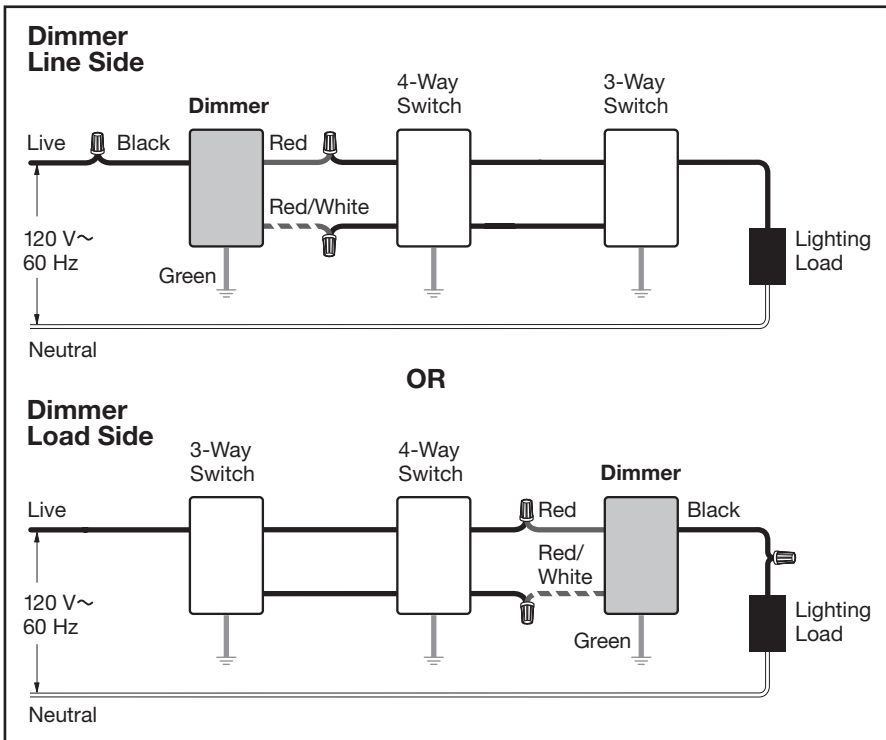
## Single-Pole Wiring



## 3-Way Wiring



## 4-Way Wiring



**Note:** Dimmer can be installed on either the line side or load side of the circuit.

Job Name:	Model Numbers:
Job Number:	