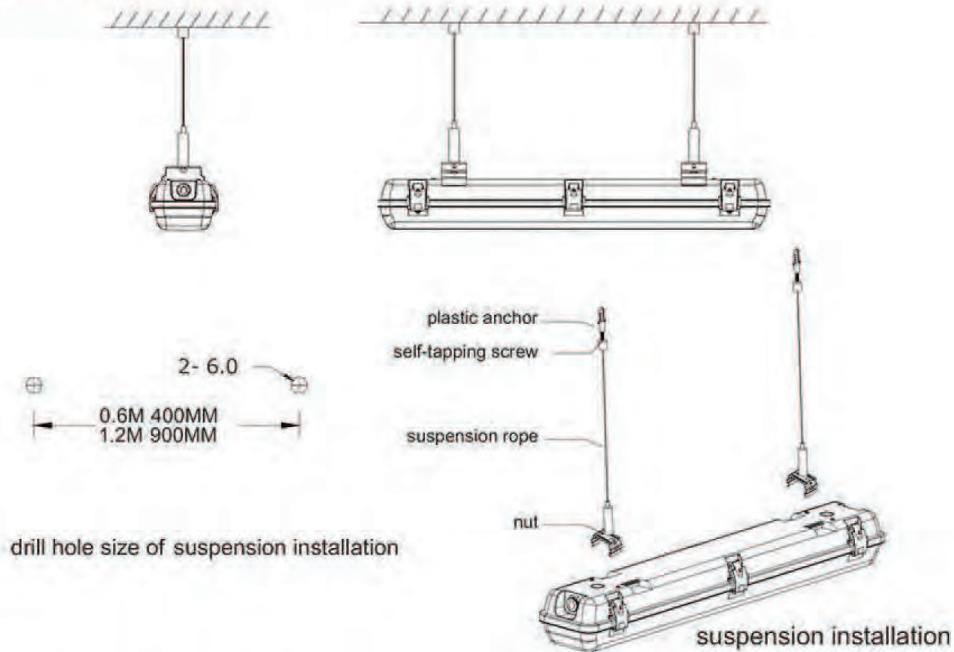


Suspension installation B



Package information :

product dimension	Inner packaging dimension	Outer carton dimension	Net weight	Gross weight	Qty.
2 ft.	670*130*100mm	690*540*320mm	1.00Kg	1.30Kg	12pcs/Carton
4ft.	1280*130*100mm	1300*410*220mm	1.80Kg	2.40Kg	6pcs/Carton

Installation requirement:

1. Turn power off before installation.
2. Release the metal clips securing the milky white lens to the fixture housing. The lens will hang loose, but it will not fall.
3. Turn the interior grey plastic buckles 90 degrees to free the LED panel from the fixture housing. Since the LED panel is secured to the fixture housing with anti-dropping devices, it will not fall while facilitating easy wiring connections on the back side of the LED panel.
4. Feed the customer-supplied 6-10 millimeter diameter electrical cable through the PG13.5 waterproof cable connection, and insert the individual conductors into the appropriate LED driver ports.
5. Reassemble the LED panel onto the fixture housing turning the grey plastic buckles 90 degrees.
6. Reassemble the milky white lens to the fixture housing securing the metal clips.
7. If the VT Series fixture will be surface mounted, drill four each 6 millimeter holes into the installation surface as presented in Installation Figure A. Then secure the ceiling brackets to the installation surface with the provided plastic anchors and self-tapping screws. Then snap the fixture housing into the ceiling brackets.
8. If the VT Series fixture will be suspended from the ceiling with the optional suspension kit cables (part number LEDF-TP020AWA2101A), drill two each 6 millimeter holes into the installation surface as presented in Installation Figure B. Then secure the cables to the installation surface with the provided plastic anchors and self-tapping screws. Then secure the ceiling brackets to the cable wire locks using the provided nuts, and snap the fixture housing into the ceiling brackets. Finally adjust the cable lengths to the desired suspension depth.