

# LED CANOPY LIGHTS

## 45W / 70W

### INSTALL INSTRUCTIONS



## SPECIFICATIONS

ITEM#	DESCRIPTION	WATTS	COLOR	LUMENS	VOLTS	HOURS	DIMENSIONS	CASE
83230	LED CANOPY 45W/40K/100-277V/BLACK- SUPERIOR LIFE®	45	4000K	4000	100-277	50,000	9.6"(L) x 9.6"(W) x 2.9"(D)	1
83231	LED CANOPY 45W/50K/100-277V/BLACK- SUPERIOR LIFE®	45	5000K	4050	100-277	50,000	9.6"(L) x 9.6"(W) x 2.9"(D)	1
83234	LED CANOPY 70W/40K/100-277V/BLACK- SUPERIOR LIFE®	70	4000K	5700	100-277	50,000	9.6"(L) x 9.6"(W) x 2.9"(D)	1
83235	LED CANOPY 70W/50K/100-277V/BLACK- SUPERIOR LIFE®	70	5000K	5900	100-277	50,000	9.6"(L) x 9.6"(W) x 2.9"(D)	1

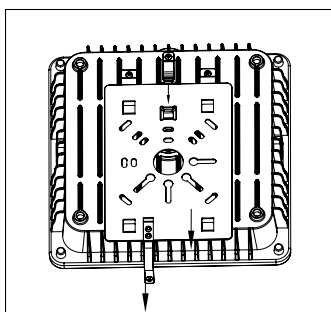
## WARNING

- To prevent personal injury or product damage only licensed electricians should install.
- To avoid electric shock or component damage disconnect power before attempting installation or servicing.
- This product must be installed in accordance with the national electric code (NEC) and all applicable federal, state and local electric codes and safety standards.
- Disconnect product and allow cooling prior to servicing.
- Any alteration or modification of this product is expressly forbidden as it may cause serious personal injury, death, property damage and/or product malfunction.
- To prevent product malfunction and/or electrical shock this product must be properly grounded.
- This luminaire is designed to operate in ambient temperatures ranging from -25°c to 40°c and to be horizontally mounted with the LEDs facing down.
- Suitable for damp and wet locations.

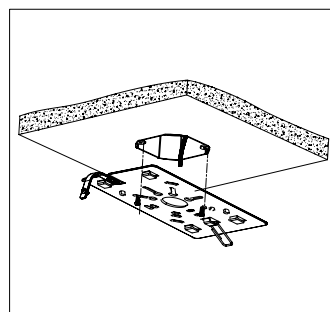
## INSTALLATION



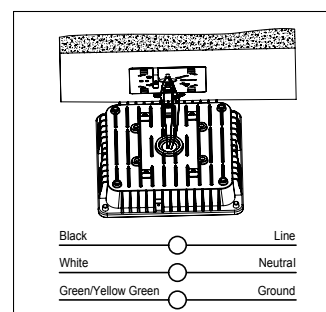
### SURFACE MOUNTED WITH J-BOX



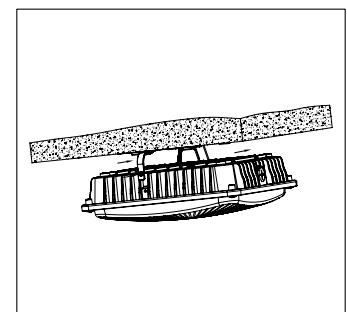
**1:** Loosen the screw on side of the light, removing the bracket from Canopy light by pulling it out slightly, just leaving the ring on bracket.



**2:** Fix the bracket on J-box, and put the wire through the central hole for wiring.



**3:** Attach the Canopy light with bracket by putting the ring on clips again. Connect the Black wire for Line, White for Neutral, Yellow Green for Ground.



**4:** Slide the Canopy lights into bracket, and secure the screw on side of the light to prevent the light from sliding out from the bracket. Installation done.

# LED CANOPY LIGHTS

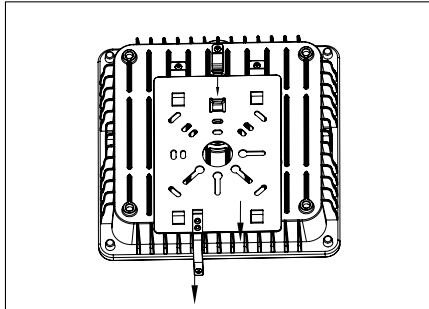
45W / 70W

## INSTALL INSTRUCTIONS

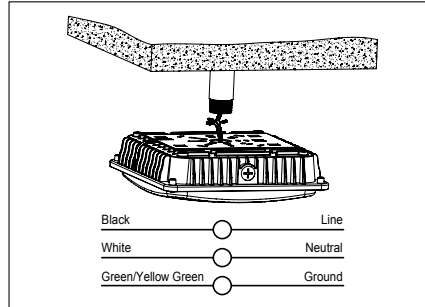


### INSTALLATION

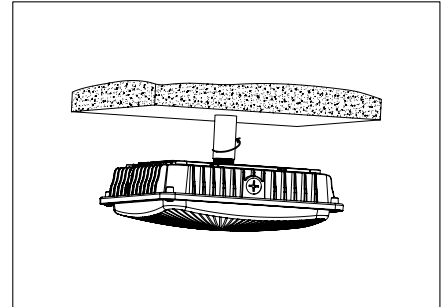
#### PENDENT WITH 3/4 INCH CONDUIT



**1:** Loosen the screw on side of the light, removing the bracket from Canopy light by pulling it slightly out, just leaving the ring on bracket. ( See the Step 1 above)

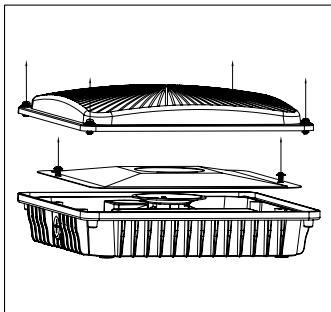


**2:** Connect the wires threaded from conduit and Canopy, Black wire for Line, White for Neutral, Yellow Green for Ground.

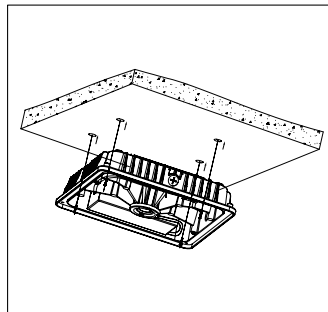


**3:** Screw the Conduit into the hole on top of Canopy light. Installation done.

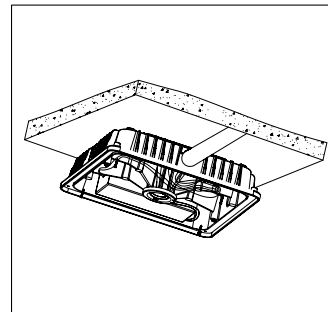
#### SURFACE MOUNT



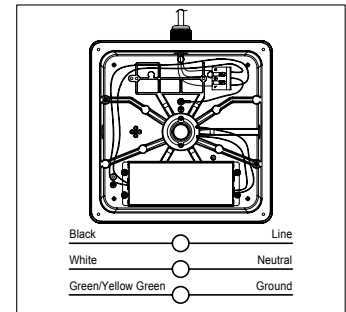
**1:** Remove the lens and metal plate by unscrewing the screws.



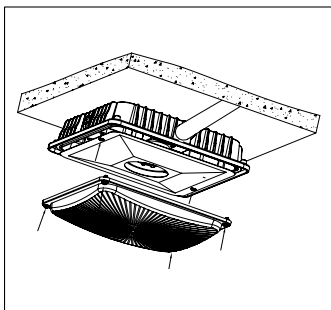
**2:** Cut off the wires through from 3/4" hole and plug the hole with provided Plug. Drill 4 holes on edge of fixture and fix it on the ceiling with using appropriate screws.



**3:** Remove 1/2" plug from direction you intend to feed conduit.



**4:** Disconnect the wires came from 3/4" hole and connect the wires came from 1/2" conduit with power supply. (White for Neutral, Black for Line, Yellow Green/Green for Ground)



**5:** Replace the metal plate and the lens, make sure no wires are pinched when replacing parts.