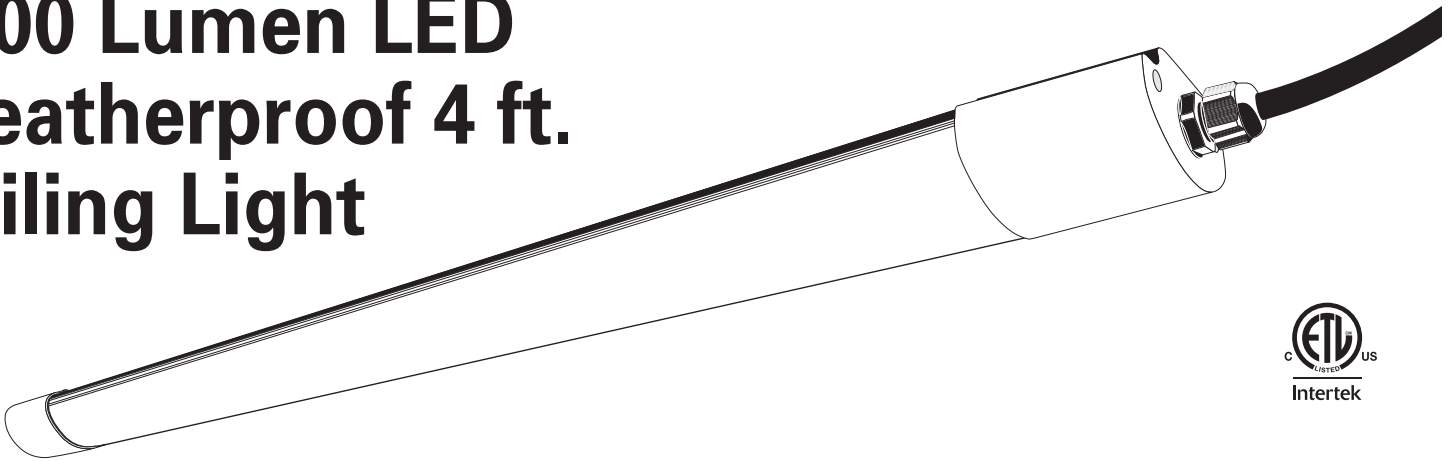
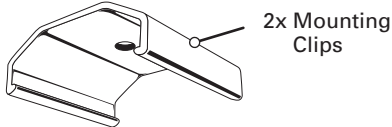
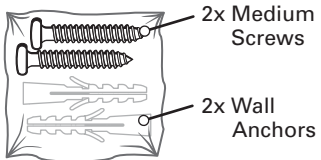
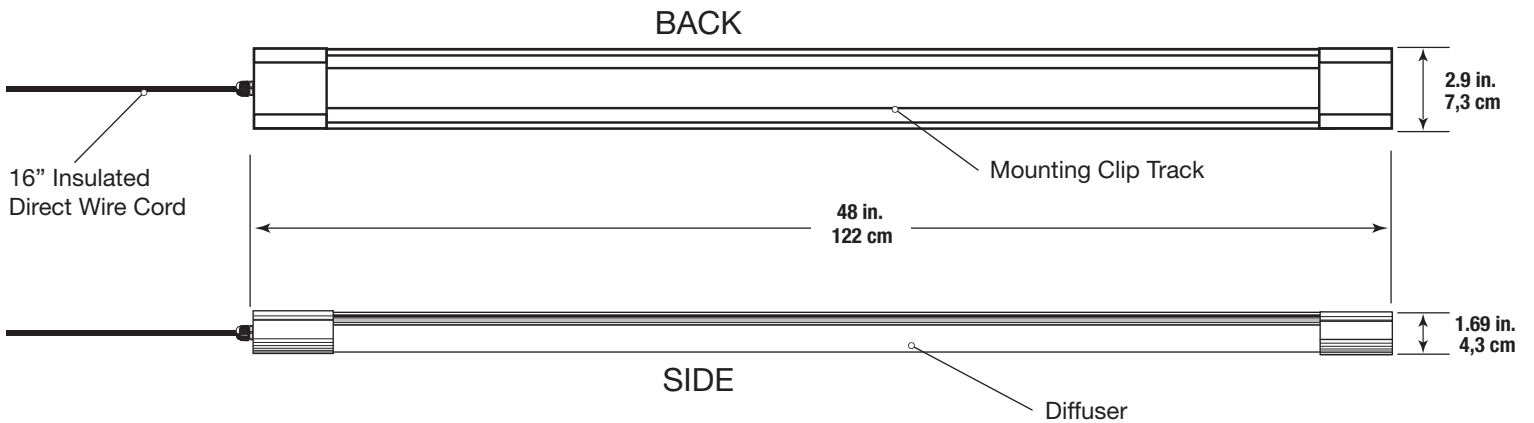


6600 Lumen LED Weatherproof 4 ft. Ceiling Light



PACKAGE CONTENTS



Product Facts:

- Color Temperature: 4000K
- Lumens: 6600 LM
- Lumen Efficacy: 143
- Input Voltage: AC120/60Hz
- Rated Watts: 46W
- CRI: 80
- Power Factor: 0.9
- LED Beam Angle: 120°
- LED Emitter Life: 50,000 hours
- Operating Voltage: 100-277v
- Operating Temperature: -4° to 122°F (-20° to 50° C)
- Cord: 18/2 SJT
- Cord Length: 1.5 ft

Electrical requirements can be found on fixture.
Use with a minimum 90° C supply conductors.

This fixture is **IP66** rated and therefore is suitable for wet location indoor /outdoor use.

⚠️ WARNINGS

⚠️ WARNING: This product needs to be grounded properly in a manner consistent with local electrical codes and/or the current National Electric Code (NEC). If the installer cannot determine if this product is properly grounded, has no ground wire, or is unfamiliar with electrical wiring methods of properly grounding fixture, consult a qualified electrician.

⚠️ WARNING: This product may represent a possible shock or fire hazard if improperly installed or mounted. Products should be installed following these instructions, local electrical codes and/or the current National Electric Code (NEC).

⚡ WARNING: TO AVOID ELECTRIC SHOCK, DISCONNECT POWER BEFORE INSTALLING

⚠️ WARNING: DO NOT alter or disassemble the fixture it is completely enclosed and does not contain replaceable or serviceable parts.

⚠️ CAUTION: Personal injury can occur, along with damage to the fixture and/or mounting surface may result if the fixture is pulled from the surface. To prevent premature failure from overheating, fixture should only be installed in environments where the operating temperatures are between -4° to 122°F (-20° to 50° C).

⚠️ WARNING: Use only in 100-277VAC, 60Hz circuits.

⚠️ WARNING: Do **NOT** look directly at LED light sources.

⚠️ WARNING: Avoid using this product in the immediate vicinity of highly flammable materials, liquids and gases.

⚠️ WARNING: DO NOT install lights within 10 feet of a pool, spa or fountain.

⚠️ SAFETY AND PRECAUTIONS

• **Shut off power to electrical outlet before installing or servicing this fixture.**

1. Suitable for indoor/outdoor use.
2. Do **NOT** install over stoves.
3. Do **NOT** look directly at LED light sources.
4. The LED modules used in this fixture are not serviceable.
5. **This product is inspected prior to shipping.** Do not use if product is cracked, broken or missing parts.
6. Suitable for use in operating environments ranging between -4° to 122°F (-20° to 50° C).
7. Electrical requirements can be found on back of the fixture.
8. If unsure how to install a light fixture, call a qualified electrician.

ADDITIONAL WARNINGS

This device complies with Part 15 of the FCC rules. Operation is subject to the following two conditions: (1) This device may not cause harmful interference, and (2) this device must accept any interference received, including interference that may cause undesired operation. Warning: Changes or modifications to this unit not expressly approved by the party responsible for compliance could void the user's authority to operate the equipment. The user is cautioned that any changes or modifications not expressly approved by the party responsible for compliance could void the user's authority to operate the equipment. Note: This equipment has been tested and found to comply with the limits for a Class B digital device, pursuant to Part 15 of the FCC rules. These limits are designed to provide reasonable protection against harmful interference in a residential installation. This equipment generates, uses and can radiate radio frequency energy and, if not installed and used in accordance with the instructions, may cause harmful interference to radio communications. However, there is no guarantee that the interference will not occur in a particular installation. If this equipment does cause harmful interference to radio or television reception, which can be determined by turning the equipment off and on, the user is encouraged to try to correct the interference by one or more of the following measures: 1) Reorient or relocate the receiving antenna. 2) Increase the separation between the equipment and receiver. 3) Connect the equipment into an outlet on a circuit different from that of the receiver. 4) Consult the dealer or an experienced radio/TV technician for help.

DIMMING

• **DO NOT USE THIS FIXTURE WITH DIMMERS.**

Doing so will void the warranty of this product.

INSTALLATION INSTRUCTIONS

Before beginning, disconnect the power to the junction box. If replacing an existing fixture with more than two wire leads, make a note as to where they were connected.

1. Disconnect the power to the junction box. Attach the direct wire cord to a junction box, use wire nuts to connect the **black** wire from the direct wire cord to the **black** power supply wire (*Live*) from the junction box and the **white** wire from the direct wire cord to the **white** power supply wire (*Neutral*) from the junction box (**Fig. 1**). After making the connections, carefully push the excess wiring inside the junction box.

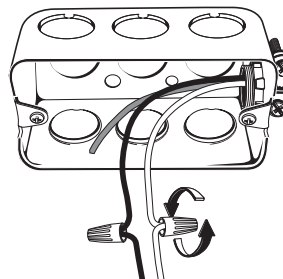
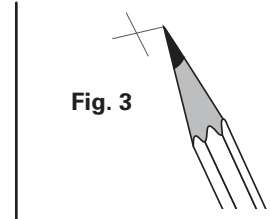
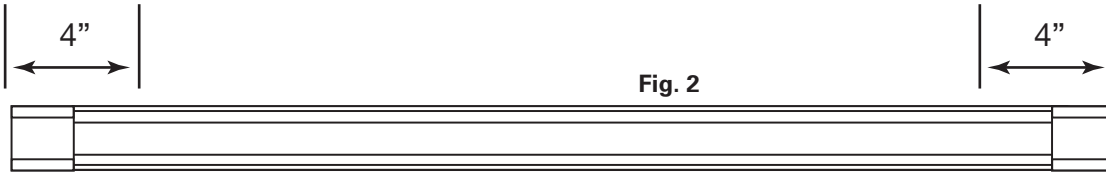


Fig. 1

INSTALLATION (CONTINUED)

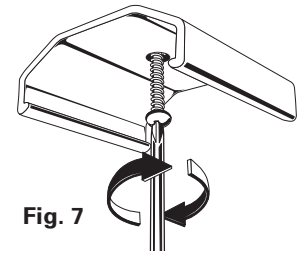
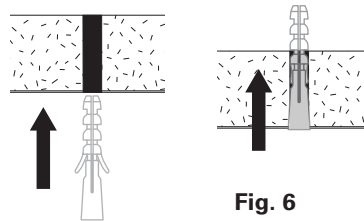
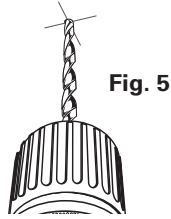
1. Each mounting clip attaches approximately 4 inches from each end of the fixture on the mounting clip track (Fig. 2). Locate where each mounting clip will be mounted and mark the location on the mounting surface (Fig. 3).



2. Mounting Clips can be mounted to wood or drywall.

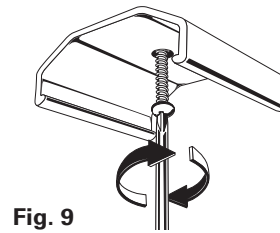
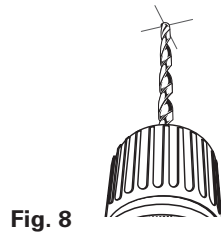
Drywall installation:

With a 3/16 in. drill bit, drill holes for both anchors (included) at the marked installation locations (Fig. 5). Insert each anchor into the pre-drilled holes (Fig. 6). Fasten the mounting clips into place with the included screws (Fig. 7). Snap light into clips.

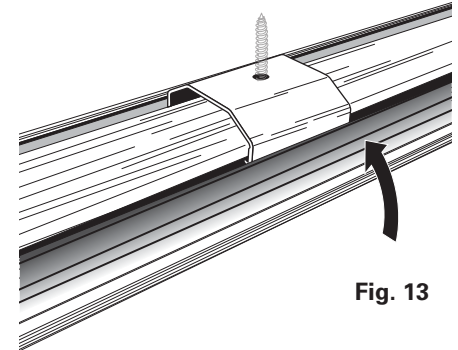
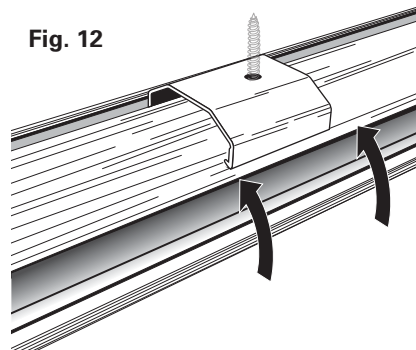
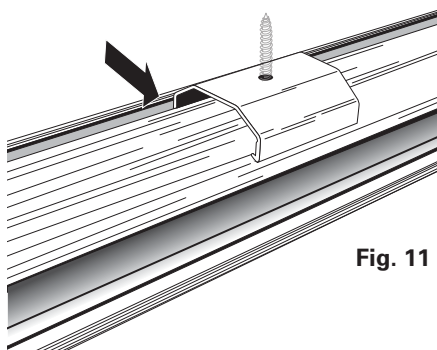
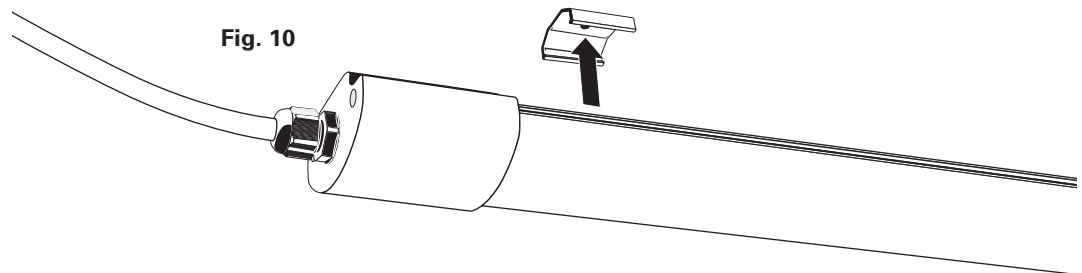


Wood Surface Mount:

Using a 1/8 in. drill bit, drill pilot holes for both screws (included) at the predetermined installation location (Fig. 8). Fasten the mounting clips into place with the included screws (Fig. 9). Snap light into clips.



3. Move the fixture up to the mounting clips (Fig. 10). Hook one side of the mounting track to both mounting clips (Fig. 11) and push the fixture up (Fig. 12) until the mounting clip track snaps into the mounting clips (Fig. 13).



INSTALLATION (CONTINUED)

3. Your installation is now complete (Fig. 14). Restore the power.

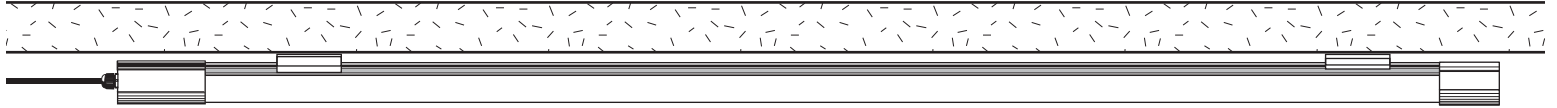


Fig. 14

CLEANING INSTRUCTIONS

Disconnect power to fixture before cleaning. Using a soft cloth, clean the fixture using a mild, non-abrasive glass cleaner. DO NOT use solvents. DO NOT use cleaners containing abrasive agents. NEVER spray liquid cleaner directly onto the LEDs, fixture or wiring.

TROUBLESHOOTING GUIDE

Before starting work to connect the fixture, shut off power supply at the circuit breaker panel to avoid electrical shock.

Problem	Probable Cause	Solution
Fixture does not turn on.	1. Bad connection. 2. Faulty switch. 3. Power is off.	1. Check wiring connections. 2. Test switch or replace it. 3. Verify power supply is on.
Circuit breaker trips or fuse blows when light is turned on.	1. Discontinue use immediately.	1. Call customer service at 303.652.6164 . 2. Call an electrician.

3 YEAR LIMITED WARRANTY

This product is guaranteed against failure due to factory defects in materials or workmanship for three (3) years from the date of purchase. This warranty is non-transferable and applies only to the original owner. Proof of purchase is required for repair or replacement. This warranty does not cover normal wear of parts or damage resulting from any misuse of the product. Misuse of the product includes, but is not limited to: washing the product, using in extreme weather conditions, opening the product, or trying to remodel the product. Important: this warranty is only valid if the product has been purchased through an authorized reseller.

CUSTOMER SERVICE

For questions regarding this product, please contact us at **303.652.6164**, M-F 7am - 4pm MT or e-mail us at info@stonepointledlighting.com.