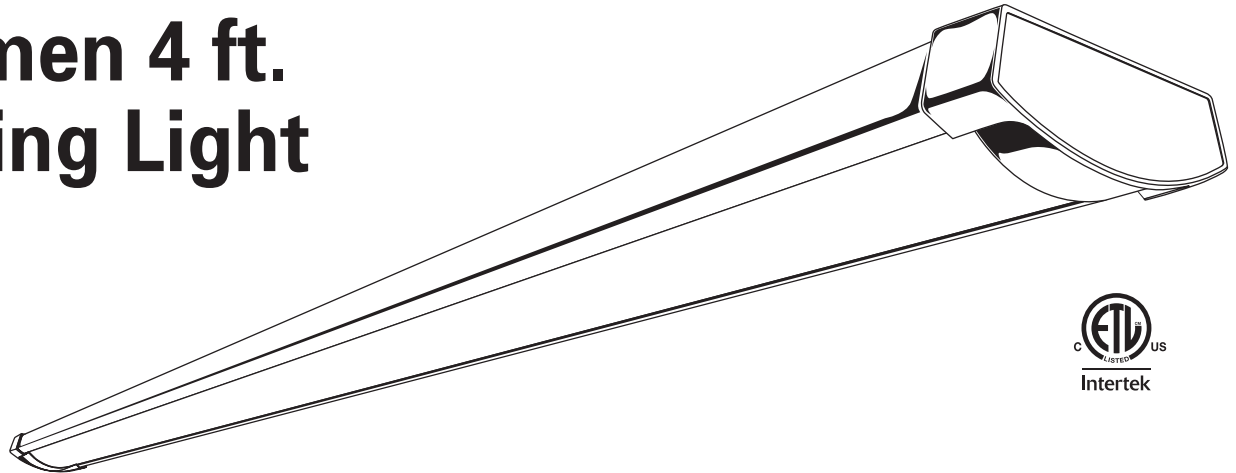
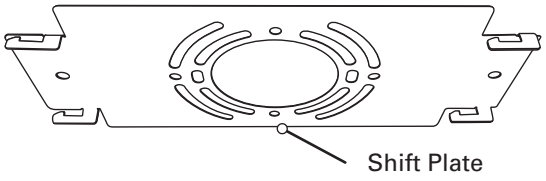
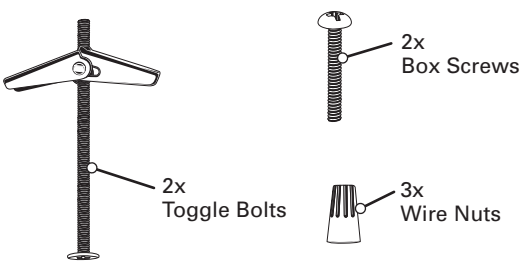
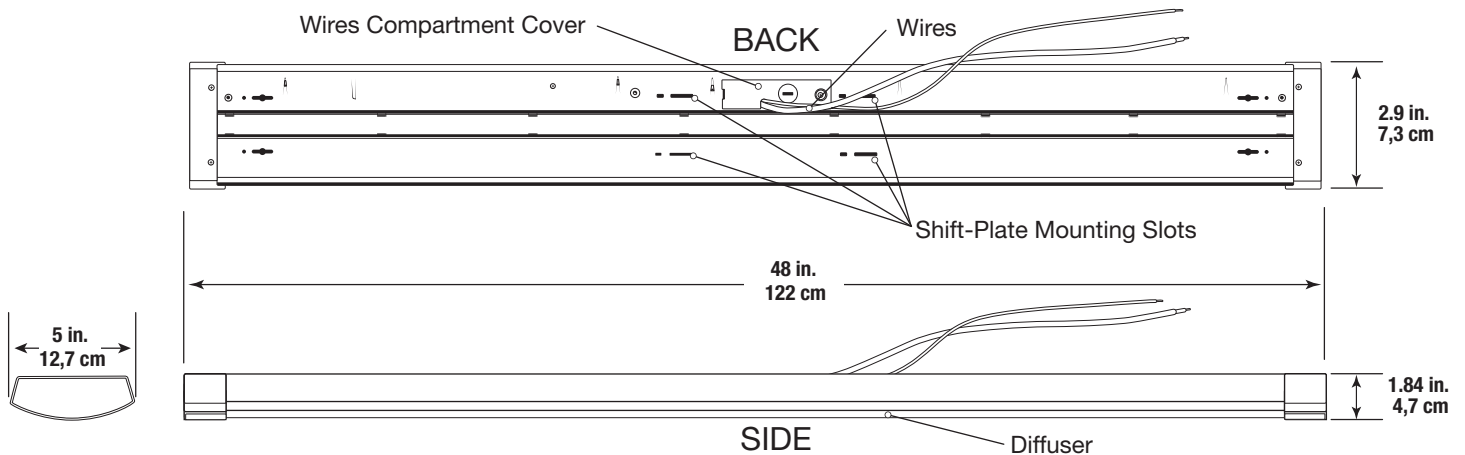


# 4000 Lumen 4 ft. LED Ceiling Light



## PACKAGE CONTENTS



**Product Facts:**  
 Color Temperature: 4000K  
 Lumens: 4000 LM  
 Lumen Efficacy: 117  
 Input Voltage: AC120/60Hz  
 Rated Watts: 34W  
 CRI: 80  
 Power Factor: 0.9  
 LED Beam Angle: 110°  
 LED Emitter Life: 50,000 hours  
 Operating Voltage: 100-277v  
 Operating Temperature: -4° to 122°F (-20° to 50° C)

Electrical requirements can be found on fixture.  
 Use with a minimum 90° C supply conductors.

This fixture is IP20 rated and therefore is suitable for dry locations indoor use only.

## ⚠️ WARNINGS

**⚠️ WARNING:** This product needs to be grounded properly in a manner consistent with local electrical codes and/or the current National Electric Code (NEC). If the installer cannot determine if this product is properly grounded, has no ground wire, or is unfamiliar with electrical wiring methods of properly grounding fixture, consult a qualified electrician.

**⚠️ WARNING:** This product may represent a possible shock or fire hazard if improperly installed or mounted. Products should be installed following these instructions, local electrical codes and/or the current National Electric Code (NEC).

**⚡ WARNING: TO AVOID ELECTRIC SHOCK, DISCONNECT POWER BEFORE INSTALLING**

**⚠️ WARNING:** DO NOT alter or disassemble the fixture. It is completely enclosed and does not contain replaceable or serviceable parts.

**⚠️ CAUTION:** Personal injury can occur, along with damage to the fixture and/or mounting surface may result if the fixture is pulled from the surface. To prevent premature failure from overheating, fixture should only be installed in environments where the operating temperatures are between -4° to 122°F (-20° to 50° C).

**⚠️ WARNING:** Use only in 100-277VAC, 60Hz circuits.

**⚠️ WARNING:** Do **NOT** look directly at LED light sources.

**⚠️ WARNING:** Avoid using this product in the immediate vicinity of highly flammable materials, liquids and gases.

## ⚠️ SAFETY AND PRECAUTIONS

• **Shut off power to electrical outlet before installing or servicing this fixture.**

1. Suitable for dry location indoor use only.
2. Do **NOT** install over stoves.
3. Do **NOT** look directly at LED light sources.
4. The LED modules used in this fixture are not serviceable.
5. **This product is inspected prior to shipping.** Do not use if product is cracked, broken or missing parts.
6. Suitable for use in operating environments ranging between -4° to 122°F (-20° to 50° C).
7. Electrical requirements can be found on back of the fixture.
8. Do **NOT** leave bare wires exposed outside of the electrical connections. The inside of the ceiling must be waterproof.
9. If unsure how to install a light fixture, call a qualified electrician.

## ADDITIONAL WARNINGS

This device complies with Part 15 of the FCC rules. Operation is subject to the following two conditions: (1) This device may not cause harmful interference, and (2) this device must accept any interference received, including interference that may cause undesired operation. Warning: Changes or modifications to this unit not expressly approved by the party responsible for compliance could void the user's authority to operate the equipment. The user is cautioned that any changes or modifications not expressly approved by the party responsible for compliance could void the user's authority to operate the equipment. Note: This equipment has been tested and found to comply with the limits for a Class B digital device, pursuant to Part 15 of the FCC rules. These limits are designed to provide reasonable protection against harmful interference in a residential installation. This equipment generates, uses and can radiate radio frequency energy and, if not installed and used in accordance with the instructions, may cause harmful interference to radio communications. However, there is no guarantee that the interference will not occur in a particular installation. If this equipment does cause harmful interference to radio or television reception, which can be determined by turning the equipment off and on, the user is encouraged to try to correct the interference by one or more of the following measures: 1) Reorient or relocate the receiving antenna. 2) Increase the separation between the equipment and receiver. 3) Connect the equipment into an outlet on a circuit different from that of the receiver. 4) Consult the dealer or an experienced radio/TV technician for help.

## DIMMING

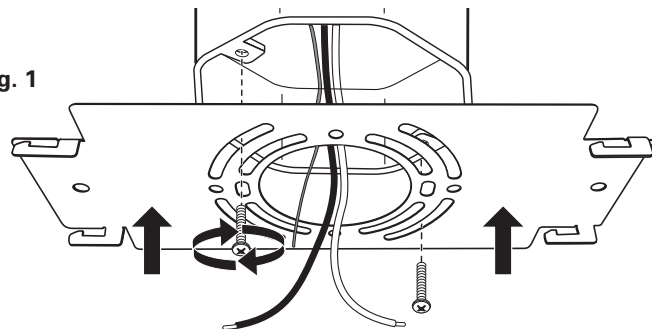
• **DO NOT USE THIS FIXTURE WITH DIMMERS.** Doing so will void the warranty of this product.

## INSTALLATION INSTRUCTIONS

**Before beginning, disconnect the power to the junction box. If replacing an existing fixture with more than two wire leads, make a note as to where they were connected.**

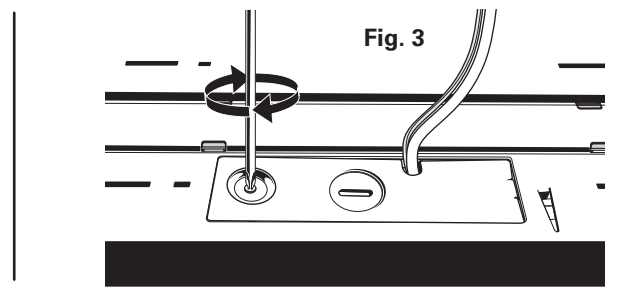
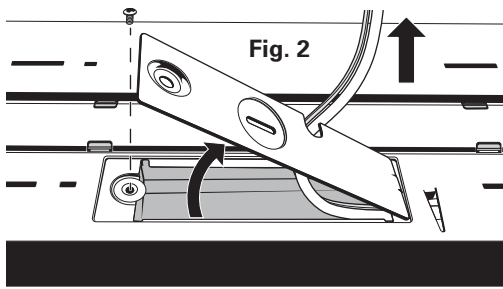
1. Disconnect the power to the junction box. Pull the ends of the supply wires further out the front of the junction box and through the center of the quick install shift plate (**Fig. 1**). Insert the included box screws through the long curved slots in the quick install shift plate and tighten both down. If studs or junction box are not available, use the included toggle bolts to install.

Fig. 1

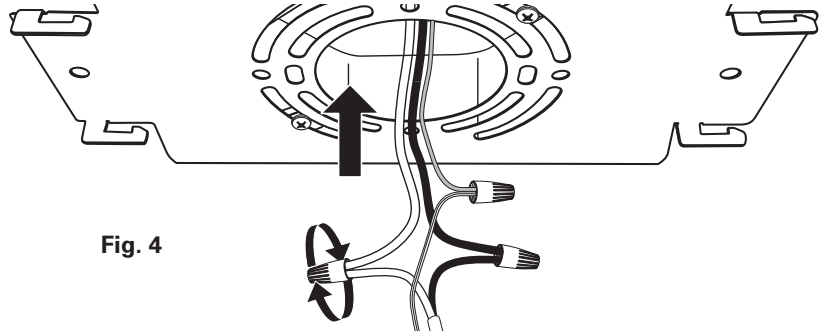


## INSTALLATION (CONTINUED)

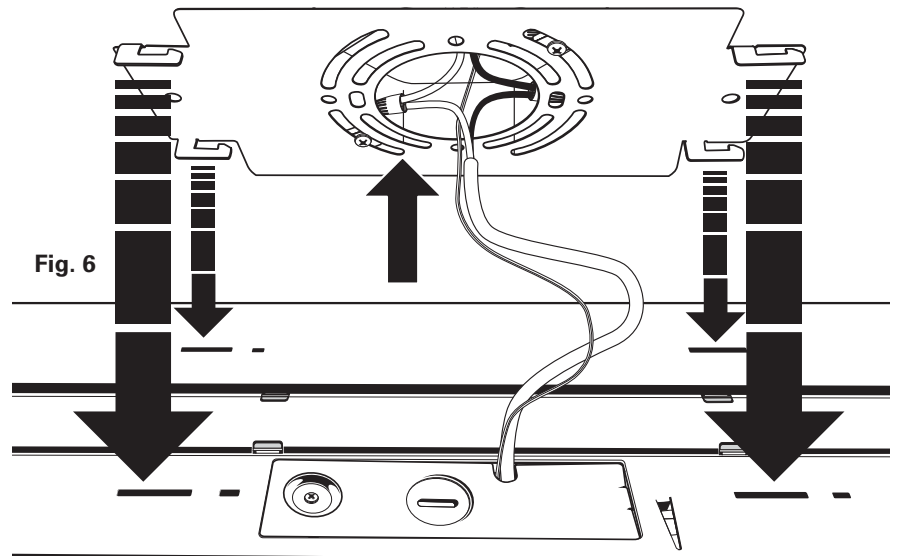
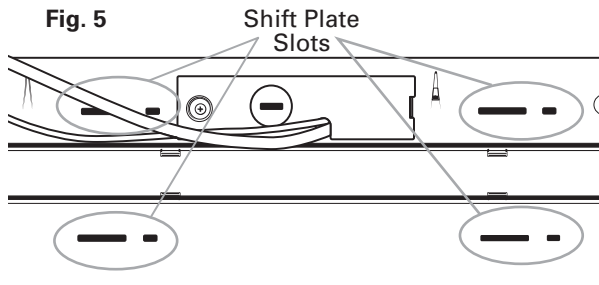
2. Remove the screw from the wire compartment cover. Remove cover plate to gain access to the fixture wires (**Fig. 2**). Guide the wires through the opening in the cover and fasten screw tightly (**Fig. 3**).



3. Make sure the fixture is properly grounded. Connect the yellow with green stripe ground wire from the fixture to the ground wire from the junction box. Use wire nuts to connect the **black** fixture wire to the **black** power supply wire (*Live*) from the junction box and the **white** fixture wire to the **white** power supply wire (*Neutral*) from the junction box (**Fig. 4**). After making the connections, carefully push the excess wiring inside the junction box.



4. Locate the 4 shift plate mounting slots on the back of the light fixture (**Fig. 5**). Push the wire connections into the junction box and lift the fixture up to the shift plate. The 4 tabs on the shift plate will insert into the 4 corresponding shift plate mounting slots in the back of the fixture (**Fig. 6**). *Make sure the tabs are oriented correctly, that will allow them to fully engage the shift plate mounting slots in the back of the fixture.*



5. Fully insert all 4 shift plate tabs into the shift plate mounting slots (**Fig. 7**). Shift the fixture the opposite way the tabs are pointing, until it stops and slowly release the fixture.

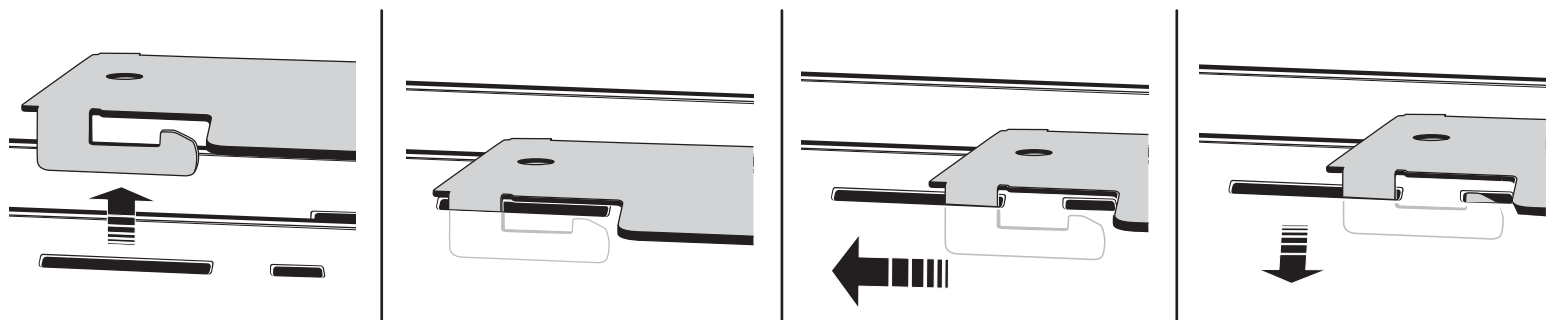


Fig. 7

## INSTALLATION (CONTINUED)

6. Your installation is now complete (Fig. 8). Restore the power.

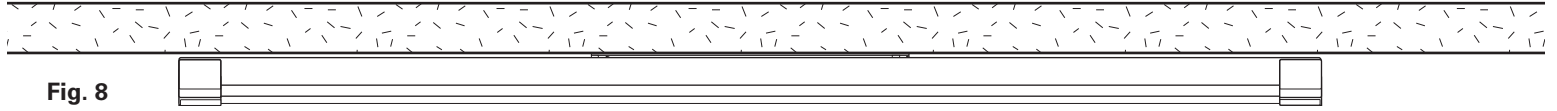


Fig. 8

## CLEANING INSTRUCTIONS

Disconnect power to fixture before cleaning. Using a soft cloth, clean the fixture using a mild, non-abrasive glass cleaner. DO NOT use solvents. DO NOT use cleaners containing abrasive agents. NEVER spray liquid cleaner directly onto the LEDs, fixture or wiring.

## TROUBLESHOOTING GUIDE

*Before starting work to connect the fixture, shut off power supply at the circuit breaker panel to avoid electrical shock.*

Problem	Probable Cause	Solution
Fixture does not turn on.	1. Bad connection. 2. Faulty switch. 3. Power is off.	1. Check wiring connections. 2. Test switch or replace it. 3. Verify power supply is on.
Circuit breaker trips or fuse blows when light is turned on.	1. Discontinue use immediately.	1. Call customer service at <b>303.652.6164</b> . 2. Call an electrician.

## 3 YEAR LIMITED WARRANTY

This product is guaranteed against failure due to factory defects in materials or workmanship for three (3) years from the date of purchase. This warranty is non-transferable and applies only to the original owner. Proof of purchase is required for repair or replacement. This warranty does not cover normal wear of parts or damage resulting from any misuse of the product. Misuse of the product includes, but is not limited to: washing the product, using in extreme weather conditions, opening the product, or trying to remodel the product. Important: this warranty is only valid if the product has been purchased through an authorized reseller.



## CUSTOMER SERVICE

For questions regarding this product, please contact us at **303.652.6164**, M-F 7am - 4pm MT or e-mail us at [info@stonepointledlighting.com](mailto:info@stonepointledlighting.com).