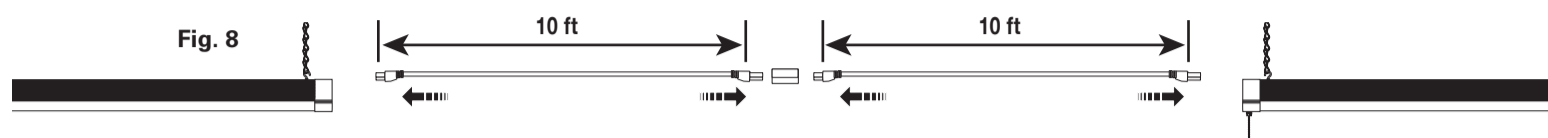
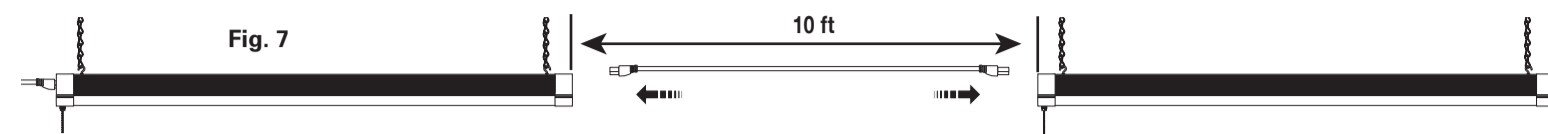
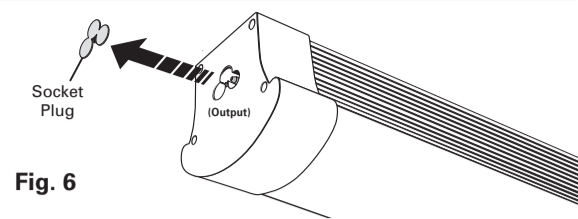
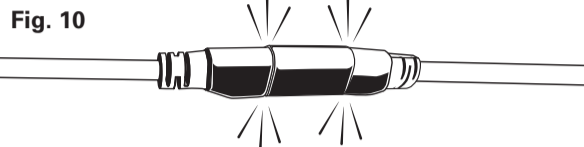
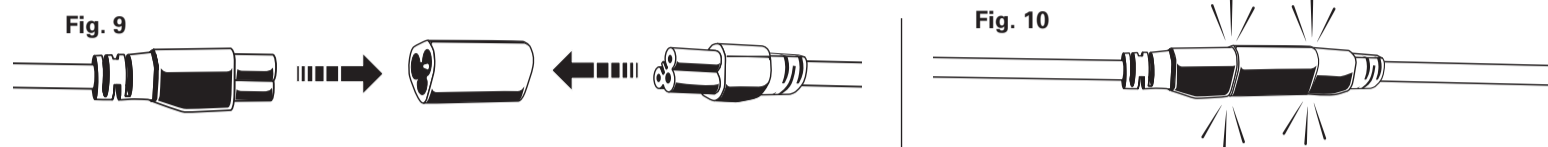


## LINKING (OPTIONAL)

2. To link additional lights, unplug the first fixture the additional light will link to. Repeat Steps 1, 2 & 3 for the additional fixtures. Remove plug cover (Fig. 6). Leave the plug cover on the last fixture, since it will not be hooked up to another fixture. Restore power. **NOTE:** Maximum distance between fixtures is 10 feet using a single linking cord (Fig. 7) or 20 feet using two 10 foot cords (one linking cord is included with each fixture) and a linking cord connector (Fig. 8). Insert the plug cover into the last fixture.



3. The linking cord connector has an input and an output end and engages the linking cords in a specific manner (Fig. 9). When the plug ends are fully inserted they will snap into place (Fig. 10).



## CLEANING INSTRUCTIONS

Disconnect power to fixture before cleaning. Using a soft cloth, clean the fixture using a mild, non-abrasive glass cleaner. DO NOT use solvents. DO NOT use cleaners containing abrasive agents. NEVER spray liquid cleaner directly onto the LEDs, fixture or wiring.

## TROUBLESHOOTING GUIDE

Before starting work to connect the fixture, shut off power supply at the circuit breaker panel to avoid electrical shock.

Problem	Probable Cause	Solution
Fixture does not turn on.	1. Faulty switch. 2. Power is off.	1. Test switch or replace it. 2. Verify power supply is on.
Circuit breaker trips or fuse blows when light is turned on.	1. Discontinue use immediately.	1. Call customer service at 303.652.6164. 2. Call an electrician.

## 3 YEAR LIMITED WARRANTY

This product is guaranteed against failure due to factory defects in materials or workmanship for three (3) years from the date of purchase. This warranty is non-transferable and applies only to the original owner. Proof of purchase is required for repair or replacement. This warranty does not cover normal wear of parts or damage resulting from any misuse of the product. Misuse of the product includes, but is not limited to: washing the product, using in extreme weather conditions, opening the product, or trying to remodel the product. Important: this warranty is only valid if the product has been purchased through an authorized reseller.

## CUSTOMER SERVICE

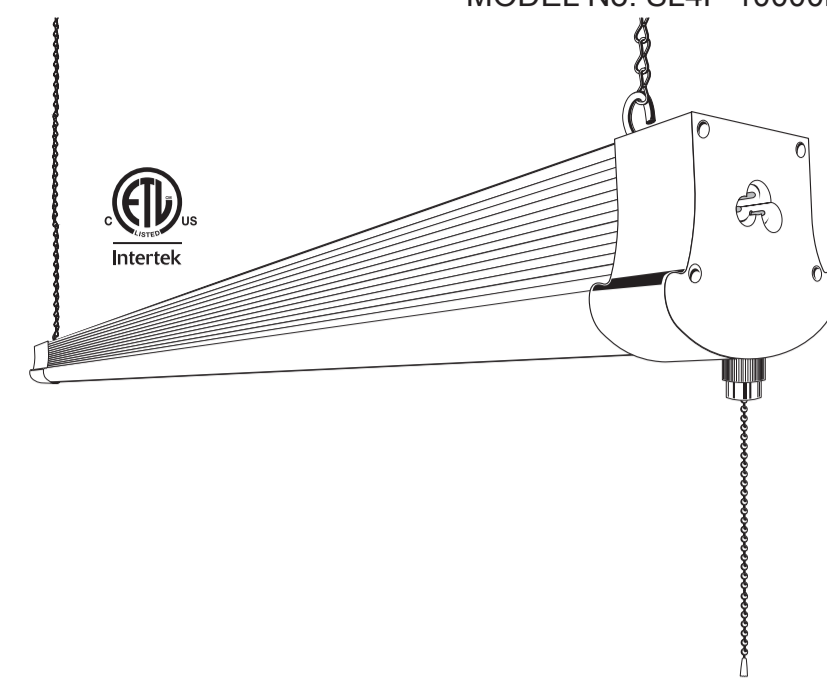
For questions regarding this product, please contact us at 303.652.6164, M-F 7am - 4pm MT or e-mail us at info@stonepointledlighting.com.

4

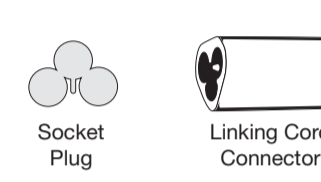
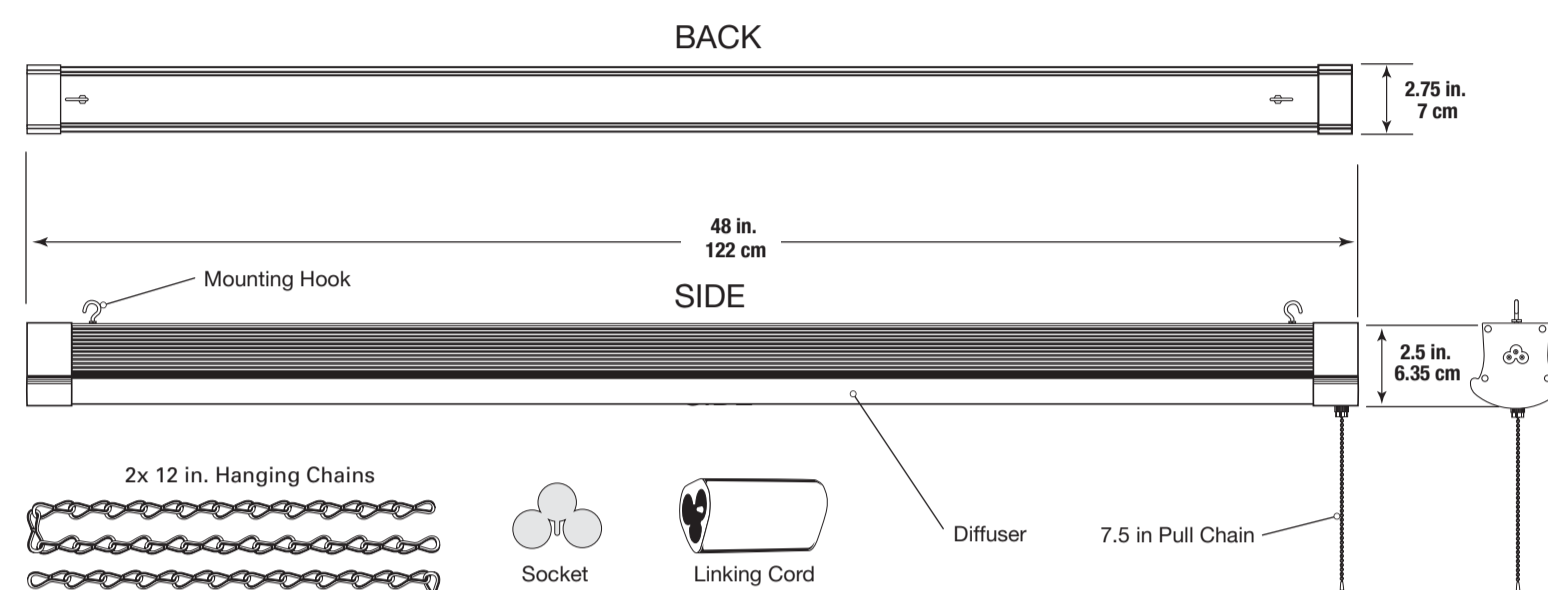
STONEPOINT  
LED LIGHTING

MODEL No: SL4P-10000L

# 10,000 Lumen 4 ft. LED Shop Light

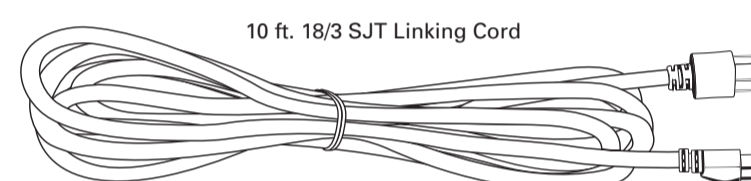
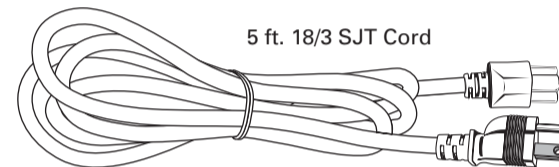


## PACKAGE CONTENTS



### Product Facts:

Color Temperature: 4000K  
Lumens: 10000 LM  
Lumen Efficacy: 125  
Input Voltage: AC120/60Hz  
Rated Watts: 80W  
CRI: 80  
Power Factor: 0.9  
LED Beam Angle: 120°  
LED Emitter Life: 50,000 hours  
Operating Voltage: 120v  
Operating Temperature: -4° to 122°F (-20° to 50° C)  
Cord Type: 18/3 SJT  
Cord Length: 5 ft.



Electrical requirements can be found on fixture. Use with a minimum 90° C supply conductors.

This fixture is IP20 rated and therefore is suitable for dry location indoor use only.

1

## WARNINGS

**WARNING:** This product may represent a possible shock or fire hazard if improperly installed or mounted. Products should be installed following these instructions, local electrical codes and/or the current National Electric Code (NEC).

**WARNING: TO AVOID ELECTRIC SHOCK, DISCONNECT POWER BEFORE INSTALLING**

**WARNING:** DO NOT alter or disassemble the fixture. It is completely enclosed and does not contain replaceable or serviceable parts.

**WARNING:** Before installation, plug in fixture to a 120VAC, 60Hz electrical outlet to check for proper operation. Then, unplug and begin the installation.

**CAUTION:** Personal injury can occur, along with damage to the fixture and/or mounting surface may result if the fixture is pulled from the surface. To prevent premature failure from overheating, fixture should only be installed in environments where the operating temperatures are between -4° to 122°F (-20° to 50° C).

**WARNING:** Use only in 100 - 277VAC, 60Hz circuits.

**WARNING:** Do NOT look directly at LED light sources.

**WARNING:** This product has a grounded plug (two contact blades and a grounding prong) as a feature to reduce the risk of electric shock. The plug is fashioned to only fit in a grounded outlet one way. If it does not fit, contact a qualified electrician. Never use with an extension cord unless plug can be fully inserted. **DO NOT ALTER THE PLUG OR CORD.**

## SAFETY AND PRECAUTIONS

• Shut off power to electrical outlet before installing or servicing this fixture.

1. Suitable for dry location indoor use only.
2. Do NOT install over stoves.
3. Do NOT look directly at LED light sources.
4. The LED modules used in this fixture are not serviceable.
5. This product is inspected prior to shipping. Do not use if product is cracked, broken or missing parts.
6. Suitable for use in operating environments ranging between -4° to 122°F (-20° to 50° C).
7. Electrical requirements can be found on back of the fixture.
8. If unsure how to install a light fixture, call a qualified electrician.

## ADDITIONAL WARNINGS

This device complies with Part 15 of the FCC rules. Operation is subject to the following two conditions: (1) This device may not cause harmful interference, and (2) this device must accept any interference received, including interference that may cause undesired operation. **Warning:** Changes or modifications to this unit not expressly approved by the party responsible for compliance could void the user's authority to operate the equipment. The user is cautioned that any changes or modifications not expressly approved by the party responsible for compliance could void the user's authority to operate the equipment. Note: This equipment has been tested and found to comply with the limits for a Class B digital device, pursuant to Part 15 of the FCC rules. These limits are designed to provide reasonable protection against harmful interference in a residential installation. This equipment generates, uses and can radiate radio frequency energy and, if not installed and used in accordance with the instructions, may cause harmful interference to radio communications. However, there is no guarantee that the interference will not occur in a particular installation. If this equipment does cause harmful interference to radio or television reception, which can be determined by turning the equipment off and on, the user is encouraged to try to correct the interference by one or more of the following measures: 1) Reorient or relocate the receiving antenna. 2) Increase the separation between the equipment and receiver. 3) Connect the equipment into an outlet on a circuit different from that of the receiver. 4) Consult the dealer or an experienced radio/TV technician for help.

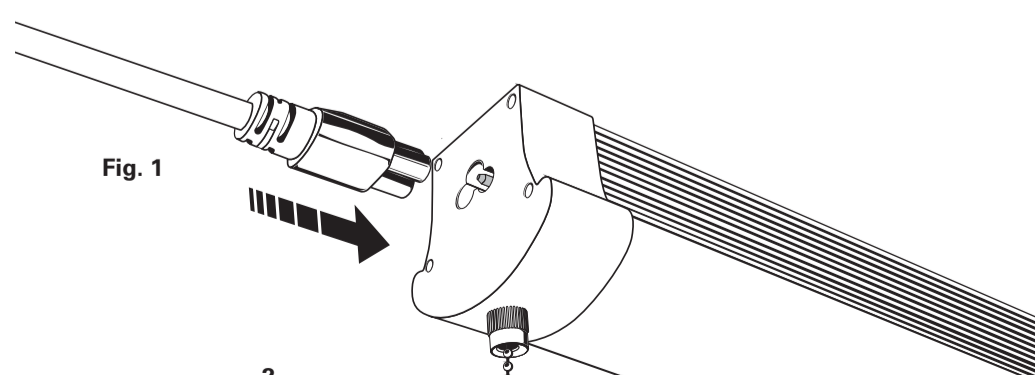
## DIMMING

• DO NOT USE THIS FIXTURE WITH DIMMERS. Doing so will void the warranty of this product.

## INSTALLATION INSTRUCTIONS

Before installing fixture, cut off power to the electrical outlet.

1. Attach the power cord to the fixture. Plug the power cord into the power socket on the end of the fixture that has the pull chain (Fig. 1). The power cord plug is designed to only attach in that end and fit in only one way.

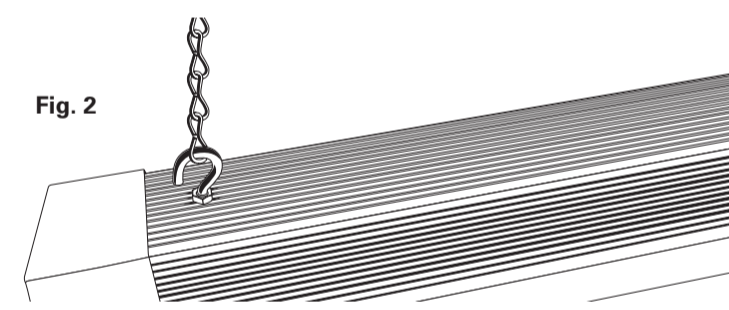


2

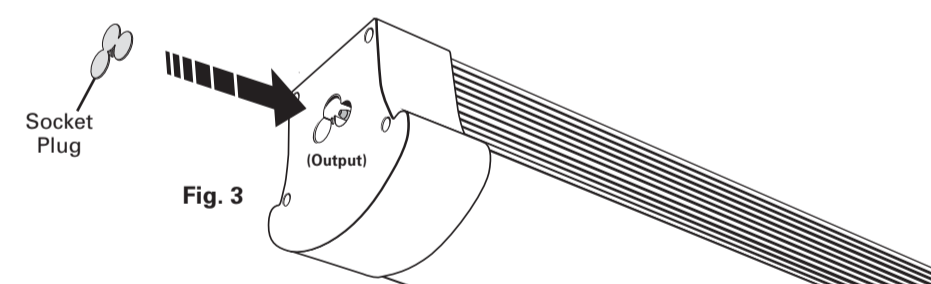
## INSTALLATION INSTRUCTIONS

Prior to installation, determine where the fixture will be located. Be sure to locate fixture within 5 ft of the power supply.

2. Attach the chains to the ceiling (The actual mounting of the chains to the ceiling is not covered in these instructions). Establish the height the fixture will be suspended. Insert mounting hook into the last loop of the chain (Fig. 2). Chain is only designed to hold the weight of the fixture safely.

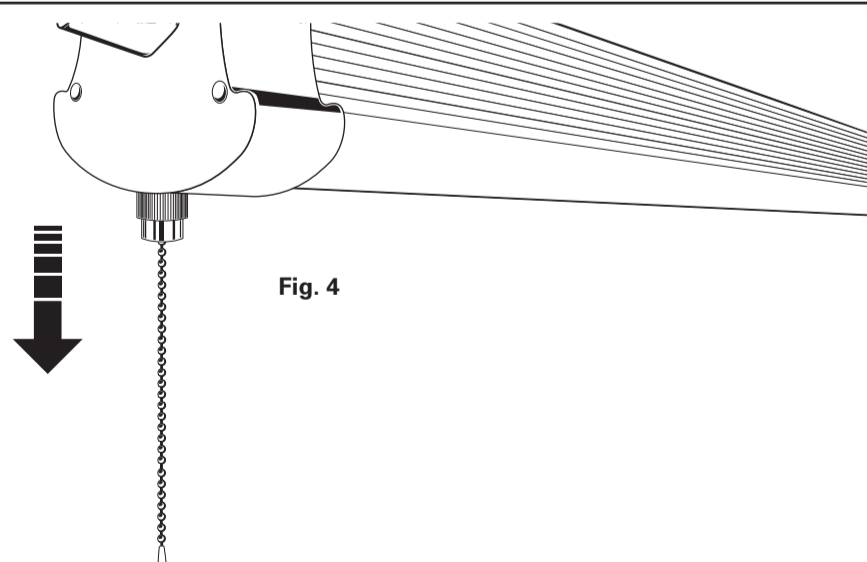


3. If no other fixture is going to be linked to the current fixture, insert the socket plug to cover the open socket at the end of the fixture (Fig. 3). The installation is now complete. Plug the fixture in.



## OPERATION

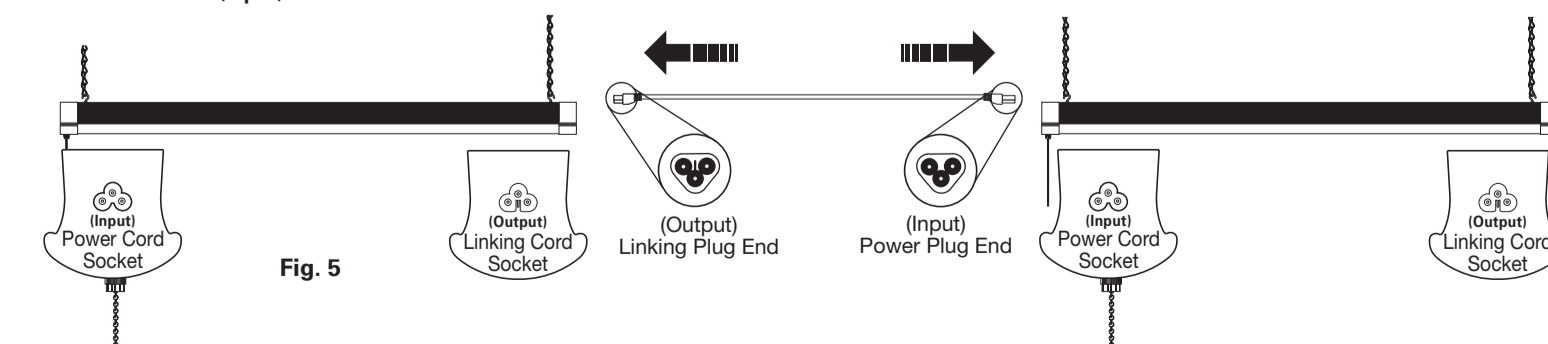
1. Pull switch chain down to turn ON and OFF (Fig. 4).



## LINKING (OPTIONAL)

A linking cord is included and will allow additional lights to be controlled by a single switch. The linking cords allow a maximum of 30,000 lumens (Models SL4P-7500L and SL4P-10000L) to be connected together using a single power source.

The linking cord has two unique ends: one input and one output (Fig. 5). They are designed to plug-in one way only. Overriding this feature could result in a dangerous situation. Insert the Linking Plug End (Output) into the Linking Cord Socket (Output). Insert the opposite into the Power Plug End (Input) into the Power Cord Socket (Input).



3

Revision Date: 10-30-2017