

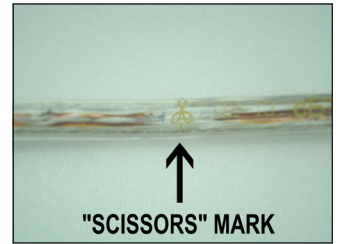
# CUTTING LED FLAT ROPE LIGHT

## IMPORTANT!! LED FLAT ROPE LIGHT CAN ONLY BE CUT EVERY 19 1/2 INCHES ON SPECIFIC MARKS

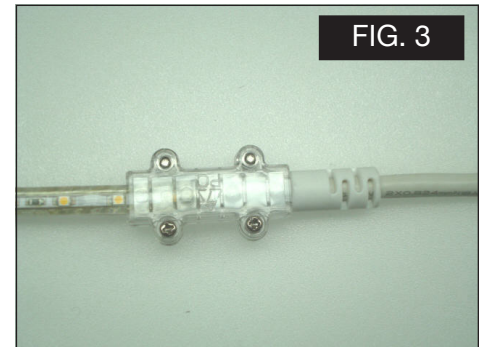
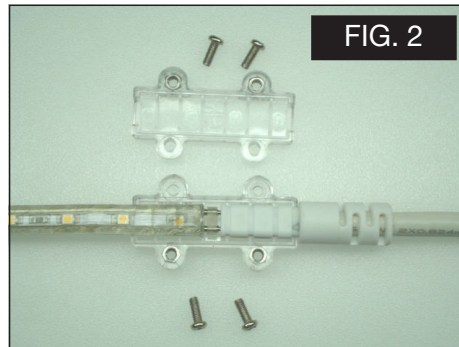
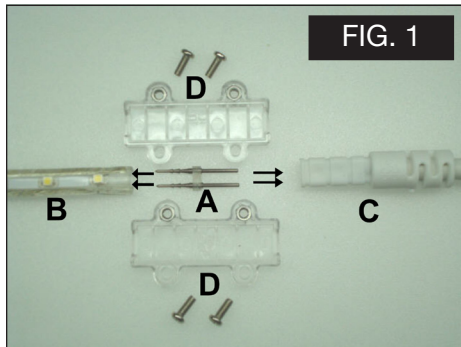
- Always make sure led flat rope light is disconnected from power source before cutting.
- Use a sharp pair of shears or heavy duty household scissors to cut led flat rope light to length. Cut points are clearly marked. Cut only on "scissors" marks located every 19 1/2 inches on bottom of led flat rope light.

*Important tip:* Make sure you have made a clean cut and no wires extend beyond the PVC jacket that could cause a short and damage the led flat rope light.

**NOTE: LED FLAT ROPE LIGHTS ARE POLARIZED. IF THEY DO NOT LIGHT UP WHEN YOU FIRST PLUG THEM IN, UNPLUG THE POWER CORD AND FLIP THE POWER CORD CONNECTOR WHERE THE PINS ARE INSERTED.**



# ATTACHING POWER CONNECTOR AND POWER CORD



For the power connection you will use the pins that are sharp on one end and blunt on the other.

**FIG. 1** - Insert pointed end of connector pins (A) into led flat rope light (B) wire holes. *TIP: warming the end of the led flat rope light slightly with a hair dryer will make it more pliable and easier to insert pins.*

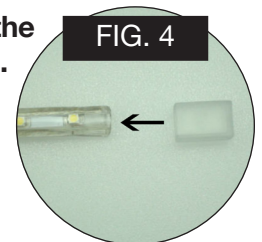
Make sure pins are inserted as far as possible but be careful not to bend or break connector pins. Be sure to match pins exactly with wire holes. Connector pins must make solid contact with wires on each side.

Align power cord (C) holes with blunt connector pins and insert molded female end of power cord onto pins.

**FIG. 2** - Insert assembled led flat rope light/power cord into one half of the plastic cover as shown.

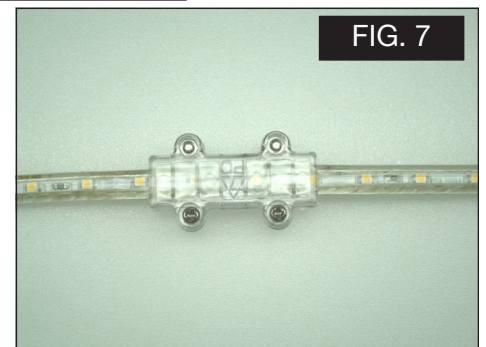
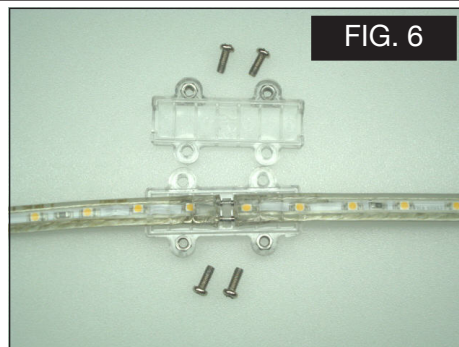
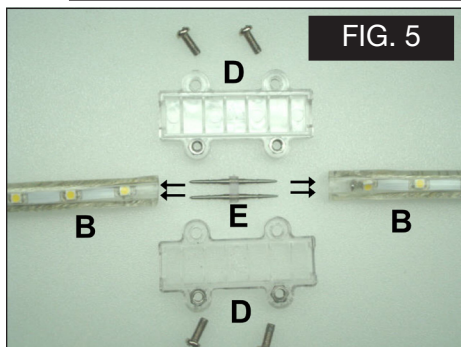
**IMPORTANT NOTE: For outdoor installation you must seal this power pin connection and the end cap with silicone sealant available at your local hardware or home improvement store.**

**FIG. 3** - Align the other half of the plastic cover and secure with four (4) screws provided (2 screws on each side.)



**FIG. 4** - Install end cap on opposite cut end of led flat rope light.

# INSTALLING IN-LINE SPLICER CONNECTOR



In-line splicer connector is for joining two lengths of led flat rope light together. Make sure led flat rope light is disconnected from power source before proceeding.

Follow cutting and assembly instructions outlined in steps above, however, for the splice connection you will use the pins that are pointed on both ends (E). Insert pins fully into both sections of led flat rope light.



# LED FLAT ROPE LIGHT

Rated Voltage: 120VAC, 60Hz, 0.02A

## SAFETY INSTRUCTIONS:

### (A) READ AND FOLLOW ALL SAFETY INSTRUCTIONS

- (b) Do not cover this product as the covering may cause the flexible light to overheat and melt or ignite.
- (c) Risk of fire and electric shock, uncoil flexible light prior to plugging into the receptacle.
- (d) Do not operate with the flexible light tightly coiled.
- (e) Do not puncture, cut, shorten or splice flexible lighting.
- (f) Do not route the cord or flexible lighting through walls, doors, windows or any like part of the building structure.
- (g) Do not use if there is any damage to the light or cord insulation. Inspect periodically.
- (h) **DO NOT submerge flexible light in liquids, or use the product in the vicinity of standing water or other liquids.**
- (i) Secure this flexible light using only the hangers or clips provided. Do not secure this product or its cord with staples, nails or like means that may damage the insulation.
- (j) Do not subject flexible lighting to continuous flexing.
- (k) Ensure all connections and the end cap on the last segment are tightly secured to preclude the entry of water.
- (l) Do not install on gates or doors where subject to flexing.
- (m) Do not install in cabinets, tanks or enclosures of any kind.
- (n) Do not mount or secure flexible light in a manner that can cut the outer jacket or damage the cord insulation. Inspect the flexible light carefully before use and discard any flexible light that have broken outer jacket, loose connections or frayed wire insulation.
- (o) Risk of fire. Do not replace power plug. This plug contains a safety device (fuse) that should not be removed. Discard product if the power plug is damaged.
- (p) This product has a polarized plug (one blade is wider than the other) as a feature to reduce the risk of electric shock. This plug will fit in a polarized outlet only one way. If the plug does not fit fully in the outlet, reverse the plug. If it still does not fit, contact a qualified electrician. Never use with an extension cord unless plug can be fully inserted. Do not alter the plug.

**WARNING:** When using "outdoor" use portable lighting products, basic safety precautions should always be followed to reduce the risk of fire, electric shock and personal injury including the following:

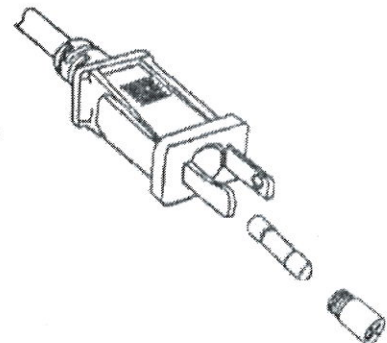
## ELECTRICAL OUTLET & EXTENSION INSTRUCTIONS:

- (a) Ground Fault Circuit Interrupter (GFCI) protection should be provided on the circuits or outlets to be used for the outdoor use flexible lighting product. Receptacles are available having built-in GFCI protection for this measure of safety.
- (b) Use only outdoor extension cords such as type SW, SOW, STW, STOW, SJW, SJOW, SJTW or SJTOW. This designation is marked on the wire of the extension cord.

### FUSE REPLACEMENT:

This plug contains an electrical fuse as a safety feature.

- (a) Disconnect power before replacing the fuse.  
Grasp the plug and remove from the receptacle or other outlet device.  
Do not unplug by pulling on the cord.
- (b) Unscrew the fuse access cover on top of the power plug.
- (c) Remove old fuse carefully.
- (d) Never attempt to replace the fuse with a higher watt fuse. Use only 5 Amp 125Volt fuse. Failure to do so may be a fire hazard.
- (e) Set new fuse into holder.
- (f) Reinstall the fuse cover.



**FLEXTEC**