

LED Ceiling Light Flushmount

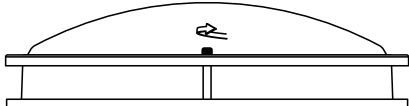
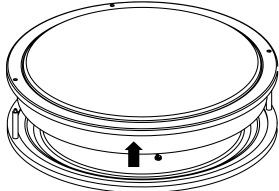
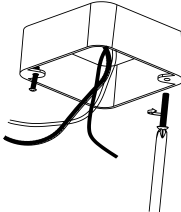
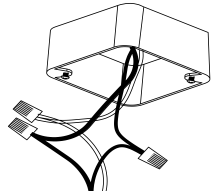
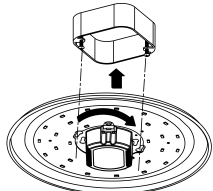
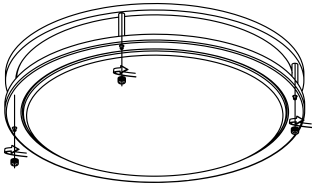
PLEASE REVIEW THE INSTRUCTIONS AND WARNINGS LISTED BELOW PRIOR TO PROPER INSTALLATION

WARNINGS	CAUTIONS
<ul style="list-style-type: none"> • Risk of electric shock – disconnect power at source before installation. • Properly ground electrical enclosure. • Risk of fire - follow all NEC and Local codes. • Use only UL or IEC approved wire for input/output connections (minimum size 18 AWG (0.75mm²). • Do not install insulation within 3 inches (76mm) of luminaire top. • Risk of injury - luminaire may fall if inner bezel is not secured properly to outer bezel. Ensure that the whole loop is positioned and secured under the washer. 	<ul style="list-style-type: none"> • Do not look directly at the operating LED lamp. • Do not touch this product with wet hands. • Do not disassemble, repair or alter lamp. • Designed for indoor applications only. • Suitable for damp locations. • The luminaires should be grounded. • Avoid contact with lamp pins during installation. • To prevent early lamp failure: Lamp should only be installed in operating environments ranging between -20° C and +50° C . • This Device is not intended for use with emergency exits or emergency lights.

INSTALLATION INSTRUCTIONS

Before assembly, installation or operation, ensure all parts are present. Turn power off prior to starting installation.

Package includes: 1- Round Flushmount Housing with Diffuser installed, 3 - Wirenuts 2 - 11/2" Electrical Box Screws, 1 - Installation Manual.

 <p>1</p>	 <p>2</p>	 <p>3</p>
<p>To remove screws twist counterclock wise.</p>	<p>Remove cover.</p>	<p>Insert Electrical Box screws into the junction box.</p>
 <p>4</p>	 <p>5</p>	 <p>6</p>
<p>Connect the Live, Ground and Neutral wires from the fixture to corresponding wires on the junction box. All wire connection should be secured with wirecaps.</p>	<p>To install the fixture plate, twist clockwise onto the mounting screws. Once in place use a screwdriver to secure mounting screws.</p>	<p>Install lamp cover and secure retaining bolts (twist clockwise). Turn power on.</p>

This device complies with Part 15 of the FCC Rules. Operation is subject to the the following two conditions: (1) This device may not cause harmful interference, and (2) this device must accept any interference recieved, including interference that may cause undesired operation. This Class (A) RELD complies with the Canadian standard ICES-003.

NOTE: This equipment has been tested and found to comply with the limits of a Class A digital device, pursuant to Part 15 of the FCC Rules. These limit are design to provide reasonable protection against harmful interference when the equipment is operated in a commerical environment. This equipment generates, uses, and radio frequency energy and if not installed and used in accordance with the instruction manual, may cause harmful interference to radio communications. Operation of this equipmet in a residential area is likely to cause harmful interference in which case the user will be required to correct the interference at their own expense.