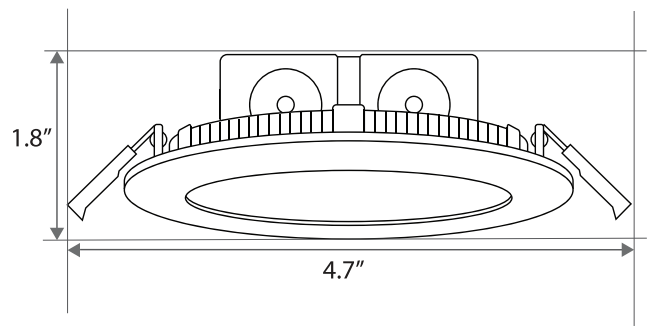


BULBRITE® LED

4" LED ALL-IN-ONE DOWNLIGHT WITH INTEGRATED JUNCTION BOX 50W HALOGEN REPLACEMENT

Item #: 773105 & 773106 & 773107

Ordering Code: LED8JBOXDL/4/827/WHRD/D & LED8JBOXDL/4/830/WHRD/D & LED8JBOXDL/4/840/WHRD/D



Before installation, confirm all parts are in good condition. If any parts are damaged, do not attempt to install.

These instructions are provided for your safety. It is important that the instructions are read carefully and completely before assembling. Please save these instructions, as you may need them at a later date.

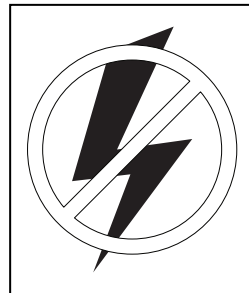
WARNING: RISK OF ELECTRIC SHOCK. BE SURE THE ELECTRICITY TO THE FIXTURE YOU ARE WORKING ON IS SHUT OFF; EITHER THE FUSE IS REMOVED OR THE CIRCUIT BREAKER IS TURNED OFF. TO PREVENT WIRING DAMAGE OR ABRASION, DO NOT EXPOSE WIRING TO EDGES OF SHEET METAL OR OTHER SHARP OBJECTS. DO NOT ALTER ANY WIRING ENCLOSURE DURING INSTALLATION. THIS LED RETROFIT MUST BE INSTALLED IN ACCORDANCE WITH THE NATIONAL ELECTRICAL CODE (NEC) AND RELEVANT LOCAL CODE. IF NOT QUALIFIED, DO NOT ATTEMPT INSTALLATION. PLEASE CONSULT A LICENSED ELECTRICIAN IF YOU HAVE ANY QUESTIONS. TO REDUCE THE RISK OF FIRE OR ELECTRIC SHOCK, DO NOT INSTALL THIS PRODUCT WHERE THERE IS A RISK OF RAIN OR MOISTURE EXPOSURE. INSTALL THIS KIT ONLY IN THE LUMINAIRES THAT HAVE THE CONSTRUCTION FEATURES AND DIMENSIONS SHOWN IN THE PHOTOGRAPHS AND/OR DRAWINGS LOCATED IN THESE INSTRUCTIONS. SUITABLE FOR DAMP LOCATIONS.

GENERAL INSTRUCTIONS:

- This fixture operates on line voltage (standard household power) of 120 Volts, 60 Hertz.
- This fixture does not need to be grounded.
- Minimum lamp compartment dimensions:
 - 107mm (dia) x 60 mm (h) for 4" models.
 - 156mm (dia) x 60 mm (h) for 6" models.
- Can be used in both dry and damp locations.
- Suitable for Type IC or NON-IC installations.
- Operation temperature ranging between -20°C to +45°C (-4°F to +113°F). Lamp life may be affected outside these temperatures.

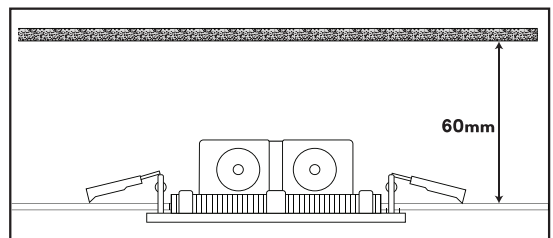
INSTALLATION INSTRUCTIONS:

STEP 1



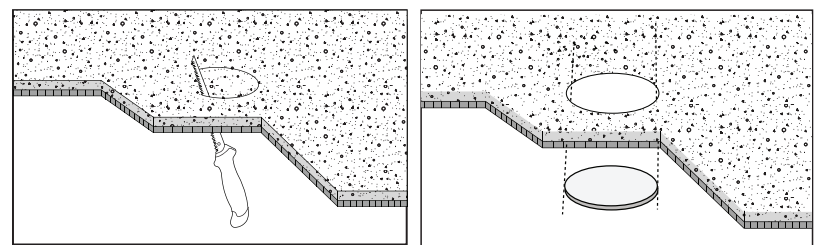
Power off all electricity to the luminaire.

STEP 2



Check the space above the ceiling of your desired installation location and ensure that there is at least 60mm (2.36in) of space available.

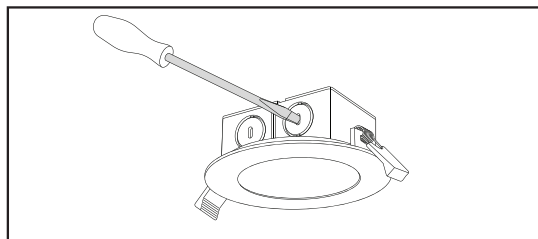
STEP 3



Cut a hole in the ceiling according to the dimensions listed below. Before you begin, ensure that the hole you are going to be cutting does not interfere with studs, piping, electrical or other building structures.

For 4" LED Downlights, the cut out size should be 107mm (4.21in) in diameter. Cut out the cutting guide included with this kit and use as your template for your ceiling cut.

STEP 4



Using a screw driver, carefully remove the knock out as shown above.

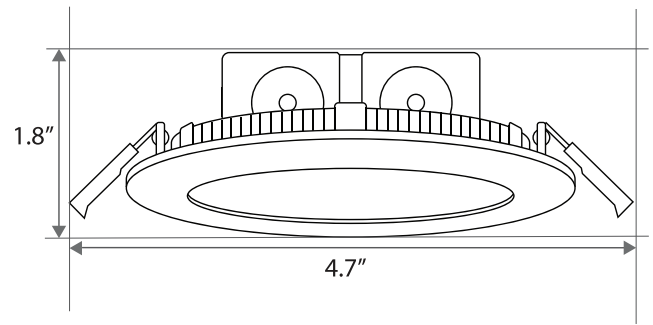
BULBRITE® LED

4" LED ALL-IN-ONE

DOWNLIGHT WITH INTEGRATED JUNCTION BOX
50W HALOGEN REPLACEMENT

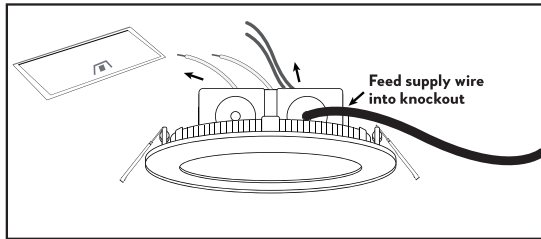
Item #: 773105 & 773106 & 773107

Ordering Code: LED8JBOXDL/4/827/WHRD/D & LED8JBOXDL/4/830/WHRD/D & LED8JBOXDL/4/840/WHRD/D



INSTALLATION INSTRUCTIONS (Continued):

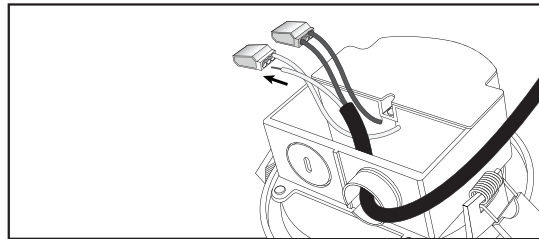
STEP 5



Reminder: Installation requires electrical knowledge. If not qualified, do not attempt installation. Contact a qualified electrician.

Remove the junction box cover. Feed supply wire into knockout.

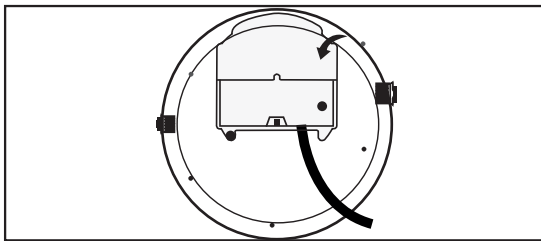
STEP 6



Make wiring connection inside the junction box using the EZ connectors (as shown above). Connect the 120V line wire from your house electrical to the black wire (black to black). Connect the neutral wire to the white wire (white to white). This fixture does not need to be grounded. Cap off the ground using a wire nut (1pc included).

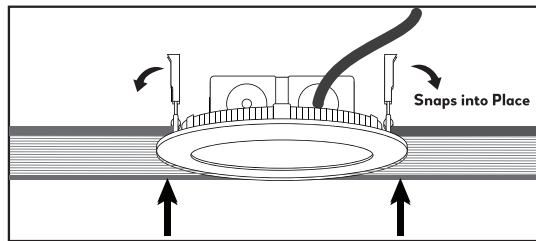
Note: If you are replacing an existing fixture where ground wire is present, you can connect incoming ground wire to the extra EZ connector included. If wiring to another fixture, connect outgoing ground wire to the same EZ connector.

STEP 7



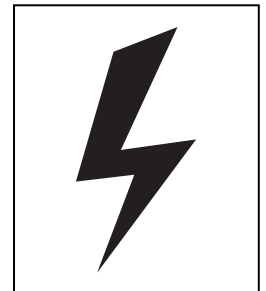
Replace junction box cover. It will click once in place.

STEP 8



Holding spring clips against fixture, carefully insert the fixture into the hole. Continue to slide in the fixture, releasing spring clips, until clips snap into place. Ensure the fixture is flush against the ceiling and securely in place.

STEP 9



Turn on all electricity to the luminaire and installation is complete.

MULTIPLE FIXTURE CONNECTIONS:

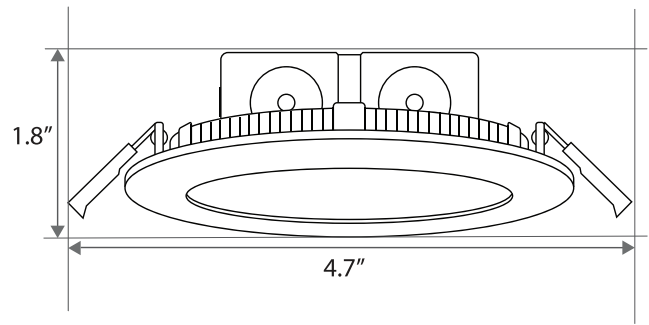
If you intend to connect multiple fixtures (daisy chain / feed through installation), insert the additional wire into the adjacent knockout using appropriate electrical fittings and repeat from Step 6.

BULBRITE® LED

4" LED ALL-IN-ONE DOWNLIGHT WITH INTEGRATED JUNCTION BOX 50W HALOGEN REPLACEMENT

Item #: 773105 & 773106 & 773107

Ordering Code: LED8JBOXDL/4/827/WHRD/D & LED8JBOXDL/4/830/WHRD/D & LED8JBOXDL/4/840WHRD/D



CUTTING GUIDE for Step 3.

1. Cut along the dotted line.
2. Place on ceiling.
3. Trace around the paper cut out onto the ceiling.
4. Cut into the ceiling following the inside of your traced circle.
5. Remove the 107mm (4.21in) circle from the ceiling.

