



## OUR LIGHT IS PERFECT BECAUSE WE INVENTED IT TO BE

We design the smallest sources and pair them with our unique full spectrum technology, for perfect color and light distribution in a range of lamp form factors.

### SORAA VIVID COLOR™

Soraa lamps provide beautiful and accurate color rendering across the entire visible spectrum, with CRI/95, R9/95, Rf/90, Rg/100

### SORAA NATURAL WHITE™

Soraa lamps clearly differentiate infinite shades of white; whiteness rendering matches or exceeds halogen and incandescent sources at 2700K and 3000K.

### FLICKER

Soraa lamps demonstrate low levels of flicker, achieving <30% flicker in both dimmed and undimmed states.

### THERMALLY COMPATIBLE

Suitable for use in fully enclosed fixtures, subject to the maximum heatsink temperature limits stated in this data sheet. Soraa lamps are designed to safely turn down in any thermal environment not conducive to minimum airflow or proper ventilation.

### ELECTRICALLY COMPATIBLE

Works with trailing edge and leading edge phase cut dimmers.

### LOCATION RATING

Suitable for damp locations  
Not rated for use in wet locations, should not be exposed to liquid water (including condensation).

HIGH COLOR QUALITY, ENCLOSED FIXTURE COMPATIBLE LED LAMP FOR USE IN BR30 COMPATIBLE DOWNLIGHTS AND OTHER INDOOR AND OUTDOOR APPLICATIONS

OUTPUT RANGE 725 – 750 lumen

BEAM ANGLE 120°

COLOR METRICS CCTs: 2700K, 3000K  
Color Rendering  
CIE Metrics: CRI 95, R9 95  
TM30 Metrics: Rf 90, Rfh1 90  
Whiteness Index: Rw 100

APPLICATION Halogen replacement for indoor and outdoor applications



vivid color



whites



flicker



dimmable



120V AC

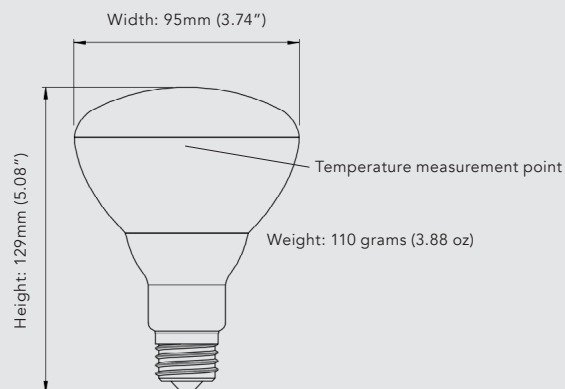


E26

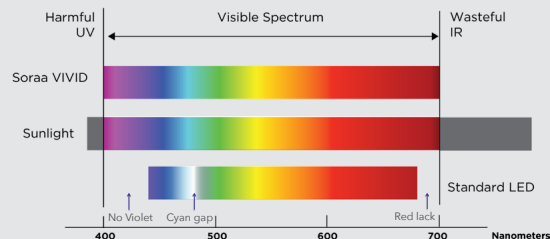


damp rated

### FORM FACTOR



### COLOR RENDERING



### LIFETIME AND WARRANTY

Rated lifetime to L70: 25,000 hours

Warranty: 3 years or 25,000 hours whichever comes first

### OPERATING TEMPERATURE

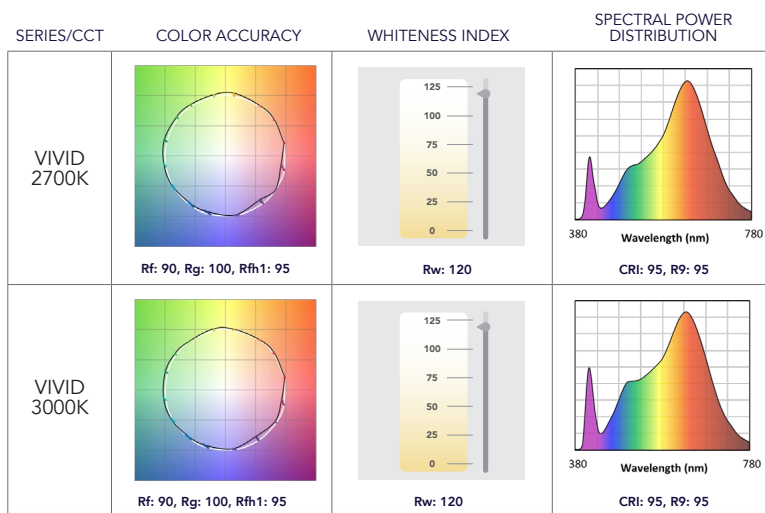
Minimum: -40° C (ambient)  
 Typical: 65° C - 80° C (lamp base)  
 Maximum: 90° C (lamp base)

### ELECTRICAL SPECIFICATIONS

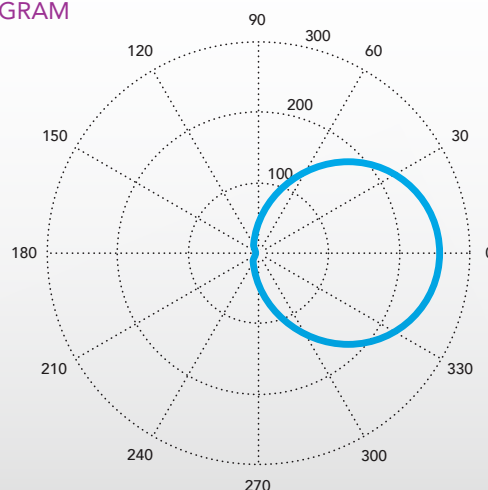
Wattage: 11.5W  
 Voltage: 120V +/- 12V  
 Frequency: 50/60 Hz  
 Power Factor: 0.95  
 Dimmability: <20%  
 Flicker Index: <0.08  
 Percent Flicker: <30%

### CERTIFICATIONS

UL/CUL  
 FCC Title 47 Part 15B  
 RoHS



### POLAR DIAGRAM



Model Number	Product Code	CCT (K)	Total Flux (Lm)	Beam Angle (°)	Halogen Equiv (W)**	Efficacy (Lm/W)	CRI/R9	Rf	White Point (McA)
<b>VIVID SERIES</b>									
SB30-11-120D-927-01	04216	2700	725	120	65	62	95 / 95	90	3
<b>SB30-11-120D-930-01</b>	<b>04218</b>	<b>3000</b>	<b>750</b>	<b>120</b>	<b>65</b>	<b>65</b>	<b>95 / 95</b>	<b>90</b>	<b>3</b>

\*Specifications are at stable warm operating conditions (25°C ambient) \*\*Energy Star Minimum  
 CCT = Correlated Color Temperature CRI = Color Rendering Index (Ra-8) White Point = White Point Accuracy in McA step

