

# LED

# Light Bulbs

replaces **60w/40w**

# CREE



## A Better LED Bulb.

The new Cree® LED bulb still looks and lights just like a traditional incandescent, but it's even better than before. Unlike many cheap bulbs in the market, the new ENERGY STAR® qualified Cree LED bulb delivers true omnidirectional, all-around light, is fully dimmable with no buzz or hum, and lasts up to 6x longer than some cheap look-alikes (30,000 hour / 27.4 year rated lifetime).

The new Cree LED bulb features higher CRI light for better colors and it is suitable for use in enclosed fixtures—so you can experience beautiful light and colors anywhere in your home. And the new Cree LED bulb is a worry-free choice backed by a 5 year, 100% performance satisfaction guarantee.

**4FLOW™**  
— FILAMENT DESIGN —  
LOOKS AND LIGHTS LIKE A LIGHT BULB

## What makes them better?

The LED bulb market is filled with cheap look-alikes. For true LED light and real savings get Cree LED bulbs.



**100% satisfaction guaranteed.**  
5 year performance guarantee.



**True omnidirectional light.**  
Shines up, down and all-around like a light bulb should.

**83  
CRI**

**Superior color rendering index.**  
Better light for better colors.



**Improved, longer LED lifetime lasts 27+ years.**  
Up to 6x as long as the cheap LED bulbs.



**Fully dimmable with most standard dimmers.**  
No Buzz. No Hum. Guaranteed.



**Suitable for enclosed fixtures.**  
Perfect for indoor and outdoor lighting (Damp Rated).



**ENERGY STAR® qualified.**  
For high performance and superior energy efficiency.

Available in **soft white (2700K)** and **daylight (5000K)** color temperatures, Cree LED bulbs can be purchased online or in-store at The Home Depot®.

### A Better LED Bulb.

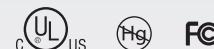
	Soft White 60-Watt Replacement	Soft White 40-Watt Replacement	Daylight 60-Watt Replacement	Daylight 40-Watt Replacement
Energy Used (Watts)	10	6	10	6
Lumens	815	450	815	460
Color Rendering Index	83	83	83	83
Rated Life (Hours)	30,000	30,000	30,000	30,000
Color Temperature (K)	2,700	2,700	5,000	5,000
Beam Spread	True Omni-directional	True Omni-directional	True Omni-directional	True Omni-directional

## The new Cree LED bulb.



## Radically Normal.

# CREE



# A19P Series

LED 4Flow 40W & 60W Bulbs

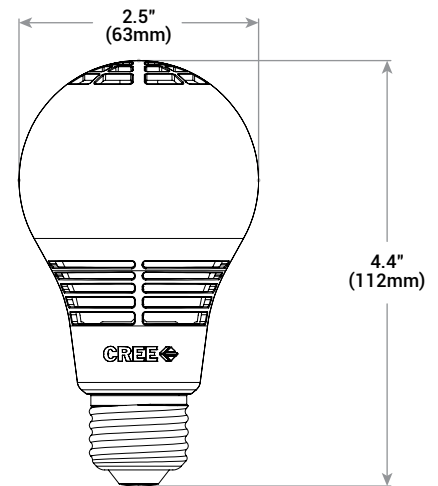
## Product Description

The new Cree® LED bulb still looks and lights just like a traditional incandescent, but it's even better than before. Unlike many cheap bulbs in the market, the new ENERGY STAR® certified Cree LED bulb delivers true omnidirectional, all-around light, is fully dimmable with no buzz or hum, and lasts up to 6x longer than some cheap LED bulbs (30,000 hour/27.4 year rated lifetime). The new Cree LED bulb features higher CRI light for better colors and it is suitable for use in enclosed fixtures – so you can experience beautiful light and colors anywhere. And the new Cree LED bulb is a worry-free choice backed by a 5 year, 100% performance satisfaction guarantee.

## Performance Summary

Utilizes Cree LED 4Flow™ Filament Design
<b>Lamp Delivered Light Output:</b> 450 lumens (40W equivalent); 815 lumens (60W equivalent)
<b>Input Power:</b> 6 watts (40W equivalent) 10 watts (60W equivalent)
<b>CRI:</b> 83
<b>CCT:</b> 2700K, 5000K
<b>100% Satisfaction Guarantee*:</b> 5 Years
<b>Lifetime:</b> Designed to last at least 30,000 hours
<b>Dimming:</b> Dimmable to 5% with select dimmers
Must order in multiples of master carton (MC), tray pack (T24) or wingstack (WST) quantities; MC = 8; T24=24; WST = 48

\*See <http://lighting.cree.com/warranty> for warranty terms



## Ordering Information

Example: A19P-60W-27K-B1

Product	Watt Equivalent	CCT	Voltage	Base	CRI	Packaging Options
A19P	40W 40 Watt (460 lumens) 60W 60 Watt (815 lumens)	27K 2700K 50K 5000K	Blank 120 Volt	Blank E26 (screw base)	Blank 80 CRI	B1 (8) Blister Pack bulbs in master carton (MC=8) T24 Commercially packed bulbs in tray (Quantity 24) WST Wingstack - 60W Equivalent, 2700K only (Quantity 48)



## A19P Series LED 4Flow Bulbs

### Product Specifications

#### CONSTRUCTION & MATERIALS

- A-type bulb design weighs less than 2 ounces (57g)
- Shatter-proof plastic for increased safety and robustness
- Bulb meets ANSI standards for A19 dimensions
- Uses a standard E26 screw base
- Mercury free

#### OPTICAL SYSTEM

- Proprietary Cree LED 4Flow™ Filament Design creates perfect omnidirectional light distribution
- Plastic globe offers increased optical spread

#### ELECTRICAL SYSTEM

- **Power Factor:** > 0.9 nominal
- **Input Voltage:** 120V, 60Hz
- **Dimming:** Dimmable to 5% with select dimmers. Refer to [www.creelink.com/exLink.asp?113292800C68M38126736032](http://www.creelink.com/exLink.asp?113292800C68M38126736032) for additional details
- **Operating Temperature Range:** -25°C - +45°C (-13°F - +113°F)

#### REGULATORY & VOLUNTARY QUALIFICATIONS

- cULus Listed
- Suitable for damp locations; not for use where exposed directly to weather or water
- Do not use in multi-bulb enclosed fixtures together with other bulb technologies (i.e., incandescent, halogen, CFL, etc.). Suitable for use in operating environments between -25°C and +45°C (-13°F and +113°F)
- ENERGY STAR® certified: Please refer to [www.energystar.gov/productfinder/product/certified-light-bulbs/results](http://www.energystar.gov/productfinder/product/certified-light-bulbs/results) for most current information  
 A19P-40W-27K-B1, A19P-40W-27K-T24: BA19-04527OMB-12DE26-3\_1  
 A19P-40W-50K-B1, A19P-40W-50K-T24: BA19-04550OMB-12DE26-3\_1  
 A19P-60W-27K-B1, A19P-60W-27K-T24, A19P-60W-27K-WST: BA19-08027OMB-12DE26-3\_1  
 A19P-60W-50K-B1, A19P-60W-50K-T24: BA19-08050OMB-12DE26-3\_1
- Meets FCC Part 15, Subpart B, Class B standards for conducted and radiated emissions
- RoHS compliant. Consult factory for additional details

### Packaging

(8) Blister Pack bulbs in master carton (MC = 8)



(24) Commercially packed bulbs in a tray (QTY = 24)



(48) Blister Pack of bulbs in wingstack (WST = 48)



### Ordering Information for Master Cartons (ordered in quantities of 8)

Ordering Number	Product Number	Case UPC	Description	Bulb Type	Watts	CCT	Lamps per Master Carton	Pallet Qty	CRI	Lumens	Rated Life (Hrs)
A19P-40W-27K-B1	BA19-04527OMB-12DE26-3_1	849665009726	4Flow 40W Replacement, 2700K USA	A19	6W	2700K	8	80	83	460	30,000
A19P-40W-50K-B1	BA19-04550OMB-12DE26-3_1	849665009740	4Flow 40W Replacement, 5000K USA	A19	6W	5000K	8	80	83	460	30,000
A19P-60W-27K-B1	BA19-08027OMB-12DE26-3_1	849665009764	4Flow 60W Replacement, 2700K USA	A19	10W	2700K	8	80	83	815	30,000
A19P-60W-50K-B1	BA19-08050OMB-12DE26-3_1	849665009788	4Flow 60W Replacement, 5000K USA	A19	10W	5000K	8	80	83	815	30,000

### Ordering Information for Trays (ordered in quantities of 24)

Ordering Number	Product Number	UPC	Description	Bulb Type	Watts	CCT	Lamps per Tray	Pallet Qty	CRI	Lumens	Rated Life (Hrs)
A19P-40W-27K-T24	BA19-04527OMB-12DE26-3_1	849665011040	4Flow 40W Replacement, 2700K USA	A19	6W	2700K	24	80	83	460	30,000
A19P-40W-50K-T24	BA19-04550OMB-12DE26-3_1	849665011057	4Flow 40W Replacement, 5000K USA	A19	6W	5000K	24	80	83	460	30,000
A19P-60W-27K-T24	BA19-08027OMB-12DE26-3_1	849665011064	4Flow 60W Replacement, 2700K USA	A19	10W	2700K	24	80	83	815	30,000
A19P-60W-50K-T24	BA19-08050OMB-12DE26-3_1	849665011071	4Flow 60W Replacement, 5000K USA	A19	10W	5000K	24	80	83	815	30,000

### Ordering Information for Wingstacks (ordered in quantities of 48)

Ordering Number	Product Number	UPC	Description	Bulb Type	Watts	CCT	Lamps per Wingstack	Pallet Qty	CRI	Lumens	Rated Life (Hrs)
A19P-60W-27K-WST	BA19-08027OMB-12DE26-3_1	849665009764	4Flow 60W Replacement, 2700K USA	A19	10W	2700K	48	80	83	815	30,000





## Cautions and Warnings

### *40/60W Replacement A19 Cree LED Bulbs with 4Flow™ Filament Design*

- Not intended for use with emergency exit fixtures or emergency lighting.
- Risk of electric shock or burns. Turn power off and let cool before inspection or replacement. Do not open – no user serviceable parts inside. Use only on 120 volt AC circuits.
- Do not use if outer shell is cracked, broken or missing, even if lamp continues to light.
- Do not use in multi-bulb enclosed fixtures together with other bulb technologies (e.g. incandescent, halogen, CFL, etc.).
- Suitable for use in operating environments between -25°C and +45°C (-13°F and +113°F).
- Suitable for damp locations, but not for use where exposed directly to weather or water.
- This device complies with Part 15 of the FCC Rules. Operation is subject to the following two conditions: (1) this device may not cause harmful interference, and (2) this device must accept any interference received, including interference that may cause undesired operation.

Note: This equipment has been tested and found to comply with the limits for a Class B digital device, pursuant to part 15 of the FCC Rules. These limits are designed to provide reasonable protection against harmful interference in a residential installation. This equipment generates, uses and can radiate radio frequency energy and, if not installed and used in accordance with the instructions, may cause harmful interference to radio communications. However, there is no guarantee that interference will not occur in a particular installation. If this equipment does cause harmful interference to radio or television reception, which can be determined by turning the equipment off and on, the user is encouraged to try to correct the interference by one or more of the following measures:

- Reorient or relocate the receiving antenna.
- Increase the separation between the equipment and receiver.
- Connect the equipment into an outlet on a circuit different from that to which the receiver is connected.
- Consult the dealer or an experienced radio/TV technician for help.