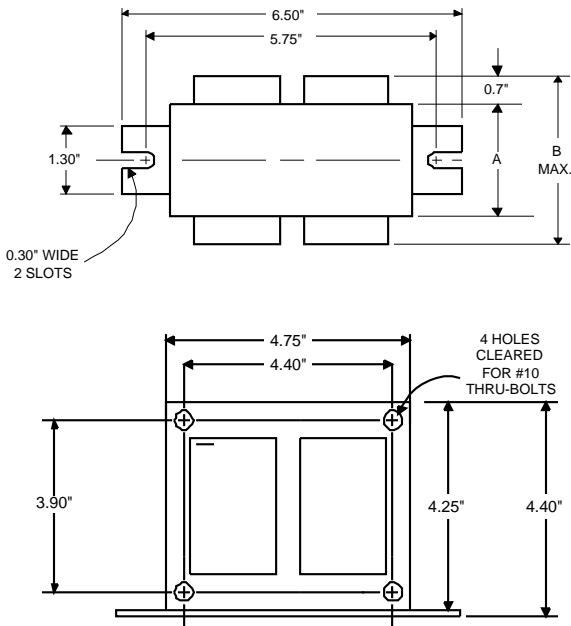


### DIMENSIONS AND DATA

4 1/4 X 4 3/4 CORE - 2 COIL UNIT



	120	208	240	277
INPUT VOLTS				
CIRCUIT TYPE	CWA			
POWER FACTOR (min)	90%			
REGULATION	±10%			
Line Volts	WITHIN TRAPEZOID			
Lamp Watts				
LINE CURRENT (Amps)				
Operating.....	2.22	1.28	1.11	0.96
Open Circuit.....	1.30	0.75	0.65	0.60
Starting.....	1.50	0.90	0.75	0.65
UL TEMPERATURE RATINGS	H(180°C)			
Insulation Class	1029			
Coil Temperature Code	E	D	D	D
MIN. AMBIENT STARTING TEMP.	185			
NOM. OPEN CIRCUIT VOLTAGE				
INPUT VOLTAGE AT LAMP DROPOUT.....	75	130	150	175
INPUT WATTS				
RECOMMENDED FUSE (Amps).....	6	4	3	3
CORE and COIL	1.20			
Dimension (A)	3.00			
Dimension (B)	8.5			
Weight (lbs.)	12"			
Lead Lengths				
CAPACITOR REQUIREMENT	28.0			
Microfarads	280			
Volts (min.)				
Fault Current Withstand (amps)				
60 Hz TEST PROCEDURES (Refer to Philips Lighting Electronics N.A. TEST Procedure for HID Ballasts - Form High Potential Test (Volts)	2000			
1 minute	2500			
2 seconds	165-205			
Open Circuit Voltage Test (Volts)				
Short-Circuit Current Test (Amps)	2.80-3.40			
Secondary Current				
Input Current.....	1.00	0.60	0.50	0.45
	1.60	0.95	0.80	0.70

Capacitor: 7C280P30-R



Capacitance: 28  
Dia/Oval Dim: 1.75  
Height: 3.75

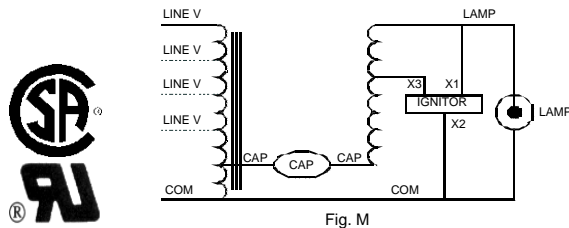
Temp Rating: 105°C

Ignitor: LI501-H4



Ballast to Lamp Distance  
(BTL) = 2 feet  
Temp Rating: 105°C

Wiring Diagram:



### Typical Ordering Information

(please call Philips Lighting Electronics N.A. for suffix availability)

Order Suffix	Description
--------------	-------------

Data is based upon tests performed by Philips Lighting Electronics N.A. in a controlled environment and is representative of relative performance. Actual performance can vary depending on operating conditions. Specifications are subject to change without notice.

## PHILIPS LIGHTING ELECTRONICS N.A.

10275 WEST HIGGINS ROAD · ROSEMONT, IL 60018

Tel: 800-322-2086 · Fax: 888-423-1882 · www.philips.com/advance

Customer Support/Technical Service: 800-372-3331 · OEM Support: 866-915-5886

Revised: 06/10/03