

LUNERA MH LED HORIZONTAL

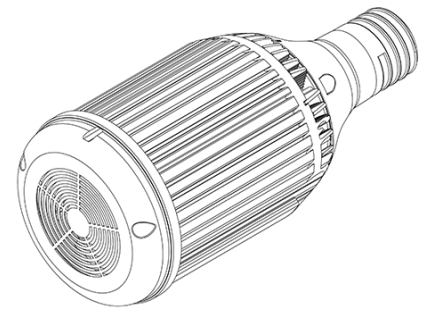
145W-82W LED Replacement for Metal Halide Lamps
Type A - Ballast Driven (E39/EX39 Mogul Base)

Description

The **LUNERA MH LED HORIZONTAL** lamp is a plug and play (Type A, ballast driven) horizontally oriented, LED replacement for Metal Halide (MH) lamps with a mogul (E39) base. This lamp replaces 400W/250W/175W MH lamps and delivers up to 14,800 lumens of beautiful LED light. It is ideal for wall packs and shoe box fixtures.

Proprietary BallastLED technology makes these lamps truly plug and play by allowing them to operate directly off of the existing CWA MH ballasts. Simply change the lamp with no additional fixture or socket re-wiring required.

The LUNERA MH LED HORIZONTAL is rated at 50,000 hours and backed by a five-year warranty. It contains no mercury allowing for non-hazardous waste disposal.



Clear Lens 400W/250W/
175W

Features

- Directly replaces 400W/250W/175W horizontal Metal Halide (MH) lamps with 145W ~ 82W LED
- Type A (ballast driven) Installation; supports existing magnetic HID ballast
- Delivers up to 14,800 (145W) / 9,200 (92W) / 7,900 (82W) lumens of usable light > 80CRI
- 3500K, 4000K and 5000K
- Works well in enclosed fixtures
- Supports E39/EX39 mogul base HID sockets
- Thermal IQ supports ambient temperatures up to 150°F
- 50,000 hours to L70 lifespan
- Five year warranty



MH Lamp Wattage Replaced	CWA Ballast Type	Lunera Lamp	
		Lamp Wattage	Max Lumens
400W	M59	145W	14,800
250W	M58	92W	9,200
175W	M57	82W	7,900

Ordering Information

Example: SN-H-E39-400W/250W/175W-5000

Series	Version	Socket Type	MH Multi-Watt (Ballast) Range Replaced	CCT
SN Lunera Ballast Driven MH LED	H Horizontal	E39 Fits in mogul-base (E39/EX39) MH socket	400W/250W/175W 400W (M59): Replaced with 145W / up to 14,800lm 250W (M58): Replaced with 92W / up to 9,200lm 175W (M57): Replaced with 82W / up to 7,900lm	4000: 4000K 5000: 5000K

Product Specifications - Horizontal Mount Lamp

	145W (M59) / 14,800 lumens	92W (M58) / 9,200 lumens	82W (M57) / 7,900 lumens
Illumination			
Color Temperatures	3500K, 4000K, 5000K	3500K, 4000K, 5000K	3500K, 4000K, 5000K
Lumens	Up to 14,800lm	Up to 9,200lm	Up to 7,900lm
Color Consistency	Lunera TruColor LED Selection	Lunera TruColor LED Selection	Lunera TruColor LED Selection
Lumen Maintenance (L70)	50,000+ hours life	50,000+ hours life	50,000+ hours life
Electrical System			
Input Voltage*	MH CWA ballast	MH CWA ballast	MH CWA ballast
Lamp Power	145W	92W	82W
Lamp Wattage Replaced	400W	250W	175W
Ballast Types Supported	M59	M58	M57
System Power**	189W	116W	103W
Dimming	No	No	No
Physical			
Dimensions (H x W)	9.4" x 8.3"	9.4" x 8.3"	9.4" x 4.2"
Weight	2.5 lbs	2.5 lbs	2.5 lbs
Housing and Finish	Painted	Painted	Painted
Lens	Clear	Clear	Clear
Environment			
Ambient Temperature***	-40°F to 150°F	-40°F to 150°F	-40°F to 150°F
Humidity Rating	Damp OK, no direct water spray	Damp OK, no direct water spray	Damp OK, no direct water spray
Fixture Type	Open or enclosed	Open or enclosed	Open or enclosed
Installation			
Socket Type	Fits horizontal mount mogul base (E39/EX39) MH socket	Fits horizontal mount mogul base (E39/EX39) MH socket	Fits horizontal mount mogul base (E39/EX39) MH socket
Certifications & Qualifications			
UL (US and Canada)	Recognized	Recognized	Recognized
RoHS Compliant	Contains no lead or mercury	Contains no lead or mercury	Contains no lead or mercury
LM79, LM80, IES Files	Available. Contact Lunera.	Available. Contact Lunera.	Complete.
DLC Listed	No Category	No Category	No Category
Warranty			
Warranty	5 years	5 years	5 years

* Do NOT install this lamp into line voltage or with a LED driver.

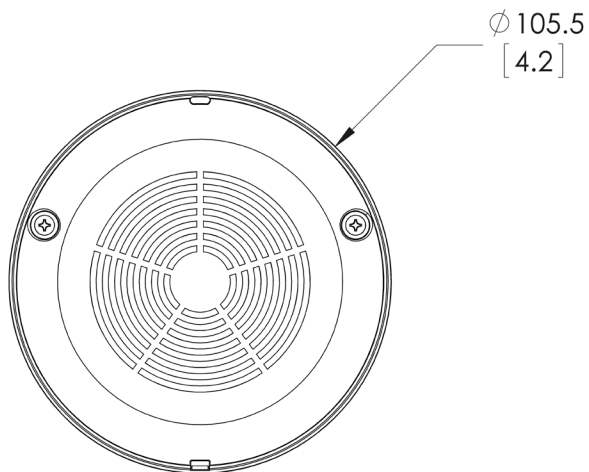
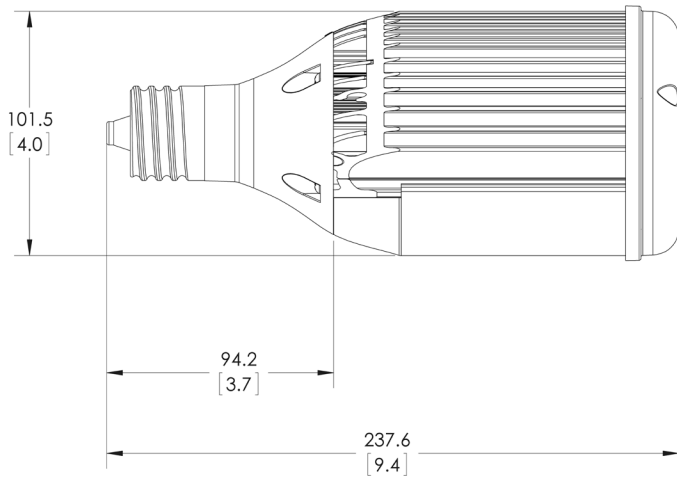
This lamp is not intended for dimming installations.

** System Power equals lamp power + ballast power.

*** Thermal IQ is a proprietary Lunera technology, which enables the LUNERA MH LED HORIZONTAL lamp to operate reliably up to 150°F ambient by dimming itself at extreme temperatures based upon thermal characteristics of the fixture in which it has been installed.

Product Dimensions

Measurements are rounded up. Dimensions are shown in millimeters. Please contact your Lunera representative for exact dimensions.



Application Notes

- This product is NOT rated for direct installation into line voltage.
- This lamp is compatible with Metal Halide 400W, 250W and 175W CWA ballasts.
- Do NOT install this lamp with High Pressure Sodium ballasts, HX-HPS ballasts, or LED drivers.
- This lamp is suitable for installation into open or fully enclosed fixtures.

CAUTION

- These lamps are NOT approved for use with line voltage.
- Turn power OFF prior to lamp installation