

## LUNERA MH LED VERTICAL FANLESS E39

145W-82W LED Replacement for Metal Halide Lamps

Type A - Ballast Driven (E39/EX39 Mogul Base in Ventilated, Non-Lensed Fixtures)

### Description

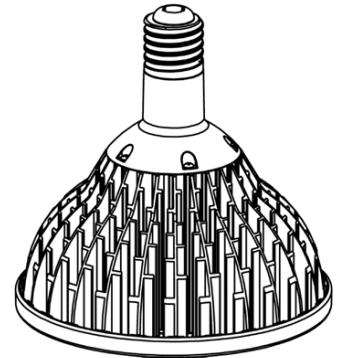
The **LUNERA MH LED VERTICAL FANLESS E39** is a plug and play (Type A, ballast driven) LED replacement for a Metal Halide (MH) lamp with a mogul (E39) base. It is intended for installation in suspended HID fixtures that are non-lensed and have top vents for adequate airflow. This fanless LED MH lamp replaces 400W/250W/175W MH lamps and delivers up to 16,300 lumens of beautiful LED light. It is ideal for installations with low ambient noise level.

Lunera's BallastLED technology makes the lamp truly plug and play by allowing it to operate directly off of the existing ballasts. Simply change the lamp with no additional fixture or socket re-wiring required.

This lamp incorporates Thermal IQ, a proprietary Lunera technology which uses airflow convection and thermal dimming to keep the lamp cool, enabling it to operate reliably up to 150°F ambient.

It is rated at 50,000 hours and is backed by a five-year warranty. This lamp does not contain mercury, allowing for non-hazardous waste disposal.

For Open Bottom/Open Top Fixtures



Clear Lens

400W/250W/  
175W  
8" Diameter

### Features

- Directly replaces 400W/250W/175W MH lamps with 145W~82W LED
- Type A (ballast driven) Installation; supports existing MH CWA ballast
- Delivers up to 16,300 (145W)/10,500 (91W)/9,100 (82W) lumens of usable light with >80 CRI
- CCT 3500K, 4000K and 5000K
- Supports E39/EX39 mogul base HID sockets
- Thermal IQ to support ambient temperatures up to 150°F without a cooling fan
- 50,000 hours life to L70 with 5 Year Warranty
- Intended for installation in suspended HID fixtures with an open bottom/vented top



MH Lamp Wattage Replaced	CWA Ballast Type	Lunera Lamp	
		Lamp Wattage	Max Lumens
400W	M59	145W	16,300
250W	M58	91W	10,500
175W	M57	82W	9,100

### Ordering Information

Example: SN-V-E39-400W/250W/175W-5000

Series	Version	Socket Type	Lamp Lumens (Wattage Replaced)	CCT
<b>SN</b> Lunera Ballast Driven MH LED	<b>V</b> Vertical	<b>E39</b> Fits in mogul-base (E39/EX39) MH socket	<b>400W/250W/175W</b> 400W (M59): Replaced with 145W / up to 16,300lm 250W (M58): Replaced with 91W / up to 10,500lm 175W (M57): Replaced with 82W / up to 9,100lm	<b>4000:</b> 4000K <b>5000:</b> 5000K

## Product Specifications - Vertical Mount, Fanless Cooling

	400W (M59) / 16,300 lumens	250W (M58) / 10,500 lumens	175W (M57) / 9,100 lumens
<b>Illumination</b>			
Color Temperatures	3500K, 4000K, 5000K	3500K, 4000K, 5000K	3500K, 4000K, 5000K
	Up to 16,300lm	Up to 10,500lm	Up to 9,100lm
Color Consistency	Lunera TruColor LED Selection	Lunera TruColor LED Selection	Lunera TruColor LED Selection
Lumen Maintenance (L70)	50,000+ hours life	50,000+ hours life	50,000+ hours life
<b>Electrical System</b>			
Input Voltage*	MH CWA ballast	MH CWA ballast	MH CWA ballast
Lamp Power	145W	91W	82W
System Power**	189W	114W	103W
Ballast Types Supported	M59	M58	M57
Lamp Wattage Replaced	400W	250W	175W
Dimming	No	No	No
<b>Physical</b>			
Dimensions (H x W)	9.41" x 8.27"	9.41" x 8.27"	9.41" x 8.27"
Weight	3.75 lbs	3.75 lbs	3.75 lbs
Housing and Finish	Painted	Painted	Painted
Heat Sink Size	8"	8"	8"
Lens	Clear	Clear	Clear
<b>Environment</b>			
Ambient Temperature***	-40°F to 150°F	-40°F to 150°F	-40°F to 150°F
Humidity Rating	Damp OK, no direct water spray	Damp OK, no direct water spray	Damp OK, no direct water spray
Fixture Type	Open	Open	Open
<b>Installation</b>			
Socket Type	Vertical mount mogul base (E39/EX39) MH socket	Vertical mount mogul base (E39/EX39) MH socket	Vertical mount mogul base (E39/EX39) MH socket
<b>Certifications &amp; Qualifications</b>			
UL (US and Canada)	Recognized	Recognized	Recognized
RoHS Compliant	Contains no lead or mercury	Contains no lead or mercury	Contains no lead or mercury
LM79, LM80, IES Files	Available. Contact Lunera.	Available. Contact Lunera.	Available. Contact Lunera.
<b>Warranty</b>			
Warranty	5 years	5 years	5 years

\* Do NOT install this lamp into line voltage or with an LED driver.

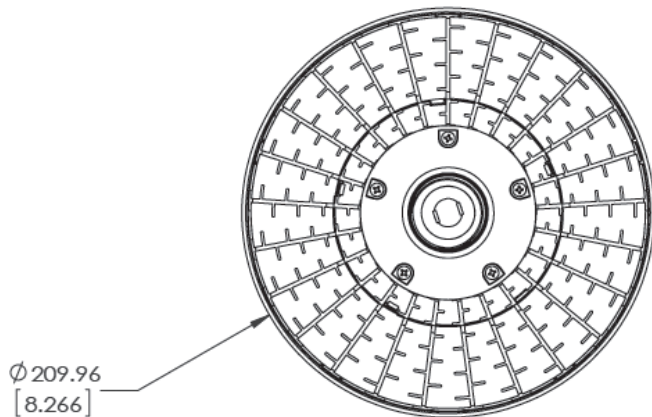
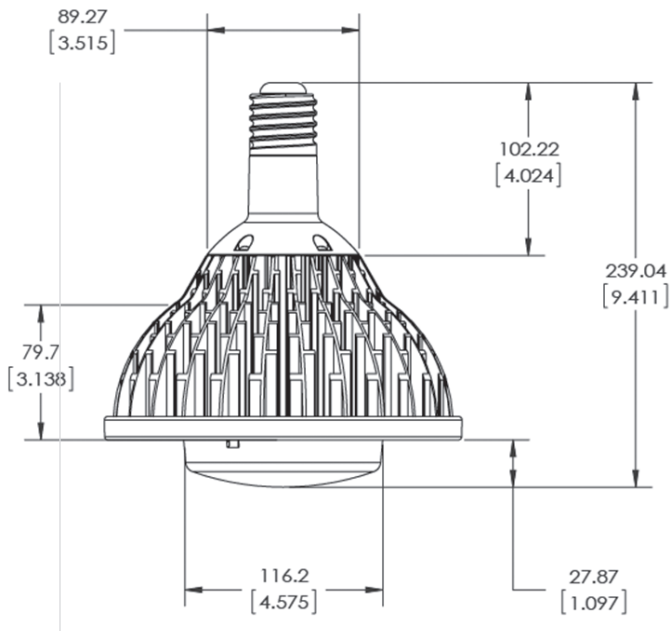
\*\* System Power equals lamp power + ballast power.

\*\*\* Thermal IQ is a proprietary Lunera technology which enables the LUNERA MH LED VERTICAL FANLESS to operate reliably up to 150°F ambient by dimming itself based upon thermal characteristics of the fixture in which it has been installed.

This lamp is not intended for dimming installations.

## Product Dimensions

Measurements are rounded up. Dimensions are shown in millimeters. Please contact your Lunera representative for exact dimensions.



## CAUTION

Turn power OFF to the fixture prior to installation.

**CAUTION** - IF THE LAMP OR LUMINAIRE EXHIBITS UNDESIRABLE OPERATION (BUZZING, FLICKERING, ETC.), IMMEDIATELY TURN OFF POWER, REMOVE LAMP FROM LUMINAIRE AND CONTACT MANUFACTURER.

## Application Notes

- This product is NOT rated for direct installation into line voltage.
- This lamp is compatible with Metal Halide 400W, 250W and 175W CWA ballasts.
- Do NOT install this lamp with High Pressure Sodium ballasts, HX-HPF ballasts, or LED drivers.
- This lamp is suitable for installation into open and ventilated fixtures.

## Compatible Fixtures

The LUNERA MH VERTICAL FANLESS is intended for use in suspended, non-lensed HID pendant fixtures with ventilation at the top. The reflector can be aluminum, acrylic or glass, but an open bottom/open top configuration is necessary to ensure adequate airflow for this lamp.



## Incompatible Fixture Types

Do not install the LUNERA MH VERTICAL FANLESS in high-bay fixtures with reflectors that are lensed and do not have top ventilation. Additionally, do not use this lamp in shoe box, wall pack, surface mount or recessed HID fixtures.

