

Dusk to Dawn Security Light

Model: 1BL-L2500D/1BL-L4000D



Please read all instructions thoroughly and carefully prior to installing this product. Retain these instructions for future reference.

Failure to follow these instructions could result in voiding the product warranty. Keystone Group assumes no liability or responsibility for claims arising from improper installation or improper use.

For questions in regard to the warranty of this product, contact us at 303.652.6164 or email us at info@keystonegroupusa.com

READ FIRST: IMPORTANT SAFETY INSTRUCTIONS

Before you begin installing, servicing, or maintenance of this product, follow these general precautions.

- To reduce the risk of death, personal injury or property damage from fire, electric shock, falling parts, cuts/abrasions and other hazards, please read all warnings and instructions included with and on this product prior to installation.
- **For residential installation: If you are unsure about the installation or maintenance of this product, consult a qualified licensed electrician.**
- This product is intended to be used outdoors and be subject to the elements; such as rain and snow. We recommend it to be mounted at least 8' off the ground
- This LED product must be powered directly to a switched circuit.
- Make sure that installation surface is structurally sound and that it will support the weight of this fixture
- This product is intended to be connected to a properly installed and grounded UL listed junction box.

WARNING: RISK OF ELECTRICAL SHOCK

- Turn off electrical power at fuse or circuit breaker box before wiring product to the power supply.
- Verify the supply voltage is correct before installing (110-240v).
- Make all electrical and grounded connections in accordance with the National Electric Code and any applicable local code requirements.
- All wiring connections should be capped with UL listed wire connectors (included).

CAUTION: RISK OF PRODUCT DAMAGE

- Never connect fixture with the power on.
- Do not mount or support product in a manner that can cut the outer wire jacket or damage the wire insulation.
- Never connect an LED product directly to dimmer packs, occupancy sensors, timing devices, or other related control devices, unless individual product specifications deem otherwise.
- LED products are polarity sensitive, ensure proper polarity before installation
- Electrostatic Discharge (ESD) can cause damage to LED products. Wear personal grounding equipment during installation and service of product.
- Do not touch the individual electronic components, it may cause ESD (Electrostatic Discharge), shorten lamp life or alter performance.

CAUTION: RISK OF INJURY

- Avoid direct eye exposure to the light source while it is on.
- **THIS MAY CAUSE IRREPARABLE DAMAGE TO THE EYES.**
- Please dispose of packaging materials and account for all small parts as these can be hazardous to small children.

WARNING: RISK OF BURN

- Allow fixture to cool completely before handling. Do not touch enclosure of light source.
- Keep combustible and other materials that can burn away from the light, lamp, and lens.

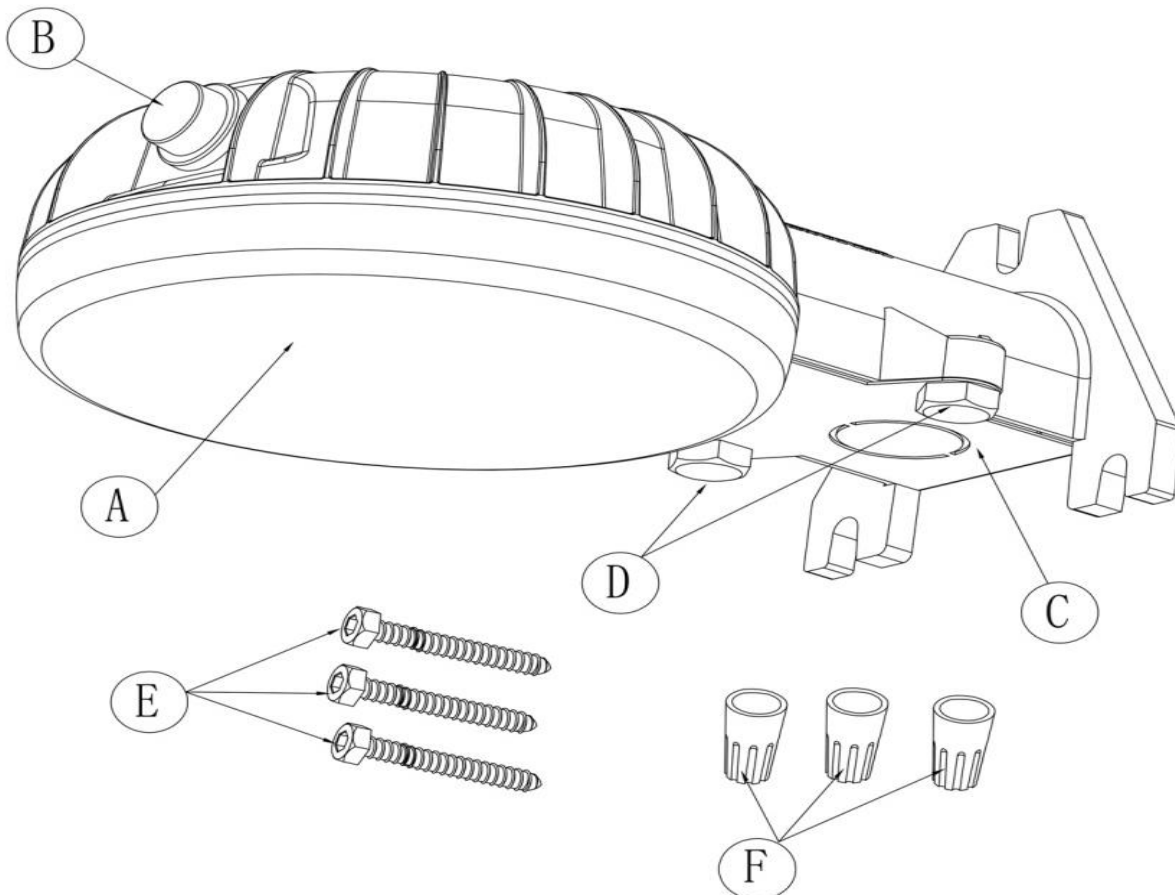
Installation Instructions

Part	Description	Quantity
A	Light Fixture Lens	1
B	Dusk to Dawn Sensor	1
C	Fixture Cover Plate	1
D	Fixture Cover Plate Bolt (13mm)	2
E	Mounting Screws (10mm)	3
F	Wire Nuts	3

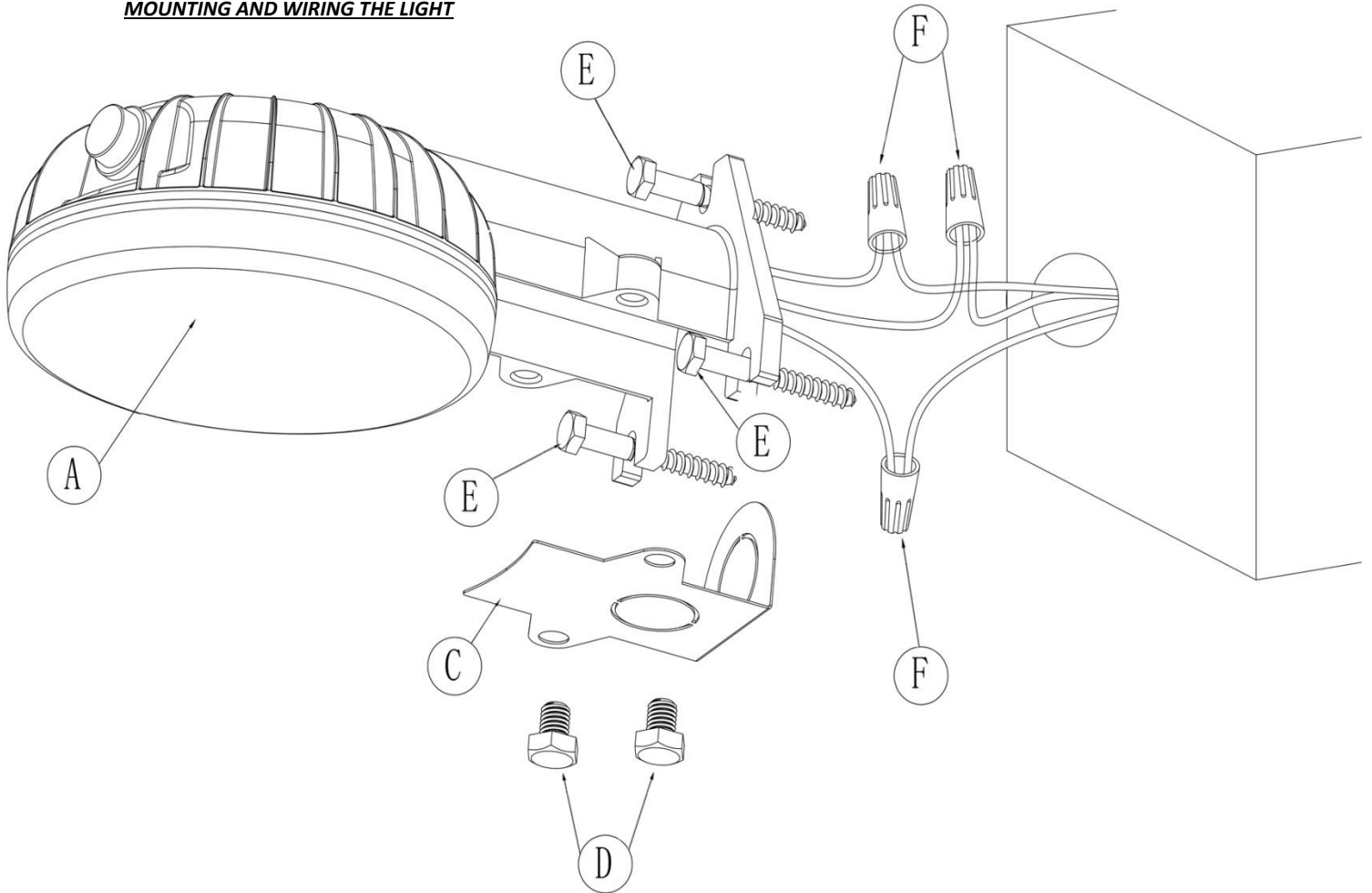
Silicon sealant recommended (not included)

Tools Required for Installation:

10mm wrench, 13mm wrench and level



MOUNTING AND WIRING THE LIGHT



NOTE: DO NOT MOUNT ON THE GROUND, RECOMMENDED INSTALLATION HEIGHT IS BETWEEN 8 AND 12 FEET

1. Turn off power from the circuit breaker box. **DO NOT** rely on only the switch power being turned off.
2. Unscrew the two (2) Fixture cover plate Screws (D) and remove the Fixture cover plate (C).
3. The fixture cover plate contains two (2) punch metal punch outs. If you are completing a wall installation remove the back punch out. If you are going to mount to a pole using conduit remove the bottom punch out
4. Install the light fixture (A) to the wall and secure with the three (3) mounting screws (E). Once complete, install the top screw and tighten. *If installing to a wall or building, pre-drill holes and use appropriate anchors.*
5. Connect supply wires with wire nuts as shown in the figure above.
 - Black supply wire connects to the Black power supply wire (Live)
 - White product wire connects to the White supply wire (Neutral)
 - Green product wire connects to the Ground wire***For proper connection, place wire nut over wires and twist clockwise until tight.***
6. Install the fixture cover plate (C) and secure with the two (2) fixture cover plate screws (D).
7. Turn on your electricity after install has been completed.

PRODUCT SPECIFICATIONS

- Color Temperature: 4000K +/- 10%
- LED Angle: 120°
- Operating Voltage: 110 - 240 volts
- IP Rating: 65
- Operating Temperature: -40° ~ 122° F

TROUBLE SHOOTING

If the light does not come on:

- Verify the power is turned on at the switch and breaker
- Verify that the product is properly wired
- Verify that the line voltage is correct (110-240v)

PRODUCT MAINTENANCE

To clean the surface of the light, use mild soap and water. Do not use scouring pads, powders, steel wool or any other abrasive materials. Do not immerse in water.

PRODUCT WARRANTY

Keystone Group will cover any manufacturing defect for a period of three (3) years from the date of purchase with original proof of purchase. Keystone Group will either repair or replace your product at our discretion. The warranty is not transferable and is only valid to the original purchaser. This warranty does not apply to the following: acts of God, product that has been modified, opened, disassembled or unauthorized repair, products not used in accordance with the provided instructions, damages caused by shipping, improper handling, accident or misuse. The finish of any part of the product, scratches, weathering, corrosion, discoloration, fading, these are all considered normal wear and tear. This warranty does not cover any damages of merchandise in transit, any damages need to be reported to the carrier and a claim needs to be filed with the carrier.

FCC Information

This device complies with Part 15 of the FCC Rules. Operation is subject to the following 2 conditions: (1) This device may not cause harmful interference, and (2) This device must accept any interference received, including interference that may cause undesired operation. Warning: Changes or modification to this unit not expressly approved by the party responsible for compliance could void the user's authority to operate the equipment. NOTE: This equipment has been tested and found to comply with the limited Class B digital service, pursuant to Part 15 of the FCC Rules. Their limits are designed to provide reasonable protection against harmful interference in a residential installation. This equipment generates, uses and can radiate radio frequency energy and, if not installed and used in accordance with the instructions, may cause harmful interference to radio communications. However, there is no guarantee that interference will not occur in a particular installation. If the equipment does cause harmful interference to radio or television reception, which can be determined by turning the equipment off and on; the user is encouraged to try to correct the interference by one or more of the following measures: reorient or relocate the receiving antenna.

a Keystone Group product
Erie, CO