

CATALOG NUMBER: E-MCA00W401

FOR ONE 400 WATT, M 135 METAL HALIDE LAMP (PULSE START)

Line Voltage	120/208/240/277
Regulation	+/-10%
Frequency	60 Hz
Circuit Type	CWA
Insulation Class	H(180°)
Min. Ambient Starting Temp.	- 20° C

ELECTRICAL CHARACTERISTICS

Line Voltage	120	208	240	277
Line Current (Amps)				
Operating	3.8	2.20	1.90	1.70
Open Circuit	3.0	1.80	1.50	1.30
Starting	2.15	1.18	1.05	0.90
Input Watts (W)	452	452	452	452
Open Circuit Voltage (V)	270	270	270	270
Drop Out Voltage	57	98	114	131
UL(1029) Bench Top Rise	E	D	D	D
Recommended Fuse (Amps)	10	7	5	5

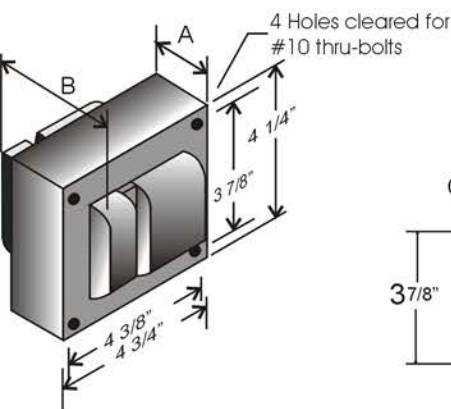
CORE AND COIL

Dimension A (inches)	1.80			
Dimension B (inches)	3.70			
Weight (lbs)	11.80			
Lead Lengths (inches)	12			

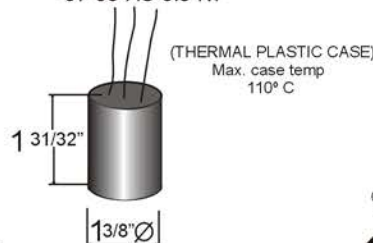
CAPACITOR REQUIREMENTS

Microfarad (Min volt)	24 Mfd, 360 VAC			
-----------------------	-----------------	--	--	--

4 1/4" x 4 3/4" CORE



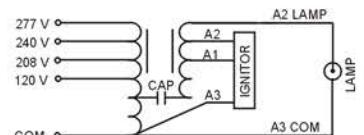
IGNITOR 37-63-AS-6.9 N7



CAPACITOR



WIRING DIAGRAM



MULTI VOLTAGE
120/208/240/277 VOLT CONNECTION

CERT. No.
006281



ISO 9001



Lighting Source
2707 Realty Road, Suite 110
Carrollton, TX 75006
Tel: (888) 385-4448
Fax: (972)