

TECHNICAL SPECIFICATION SHEET

150 WATT, HPS S55, HX-HPF BALLAST E-SZAXXX150, 60Hz

CAPACITOR

RATING 14 MFD±3%
280 VAC, MIN

Dry Film Capacitors
Thermal Plastic Case

Dry film capacitor contains no oil; are furnished with 12" leads and includes discharge resistor.

Max. case temp. 110°C

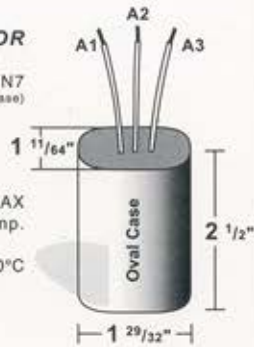


IGNITOR

37-63-AS-9.1 N7
(Thermal Plastic Case)

2 F.T. MAX
Distance to lamp.

Max. case temp. 110°C



BRACKET

CORE & COIL
MOUNTING BRACKET

KB39
Mounting bracket for
Core & Coil Ballasts
(1 bracket with thru bolts)



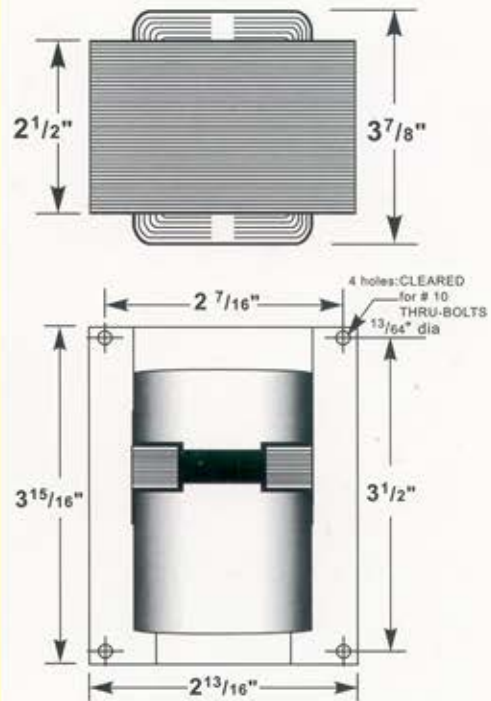
MOUNTING CLIP for round case
(Furnished as standard with B suffix ballasts)



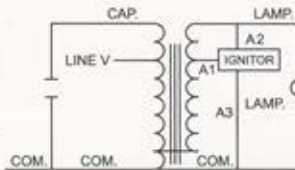
MOUNTING CLIP for oval case
(Furnished as standard with B suffix ballasts)

CORE AND COIL

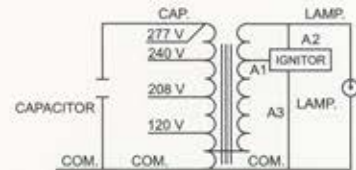
(3" x 4" CORE)



SOLA ballast leads wires are properly identified indicating on their surfaces the input voltages. ALL LEAD LENGTHS: 12 INCHES



SINGLE VOLTAGE



MULTI VOLTAGE
120/208/240/277
VOLT CONNECTION

ELECTRICAL CHARACTERISTICS

INPUT VOLTAGE RANGE ±5%
POWER FACTOR HIGH
LAMP POWER REG. WITHIN TRAPEZOID
MIN. STARTING TEMP. -40°C



Line Voltage	Catalog Number	Circuit Type	Input Watts	Line Current (AMPS)			Open Circuit Voltage	Drop Out Voltage	Fuse	Ballast Net Weight (lbs)	UL Bench Top Rise Code 1029
				Operating	Open Circuit	Starting					
120/277	E-SZA0FT150	HX-HPF	188	1.66/0.72	2.81/1.25	1.80/0.80	120	96/222	10/4	8.0	C
208	E-SZA00R150	HX-HPF	188	0.96	1.65	1.05	120	166	5	8.0	B
240	E-SZA00M150	HX-HPF	188	0.83	1.45	0.86	120	192	5	8.0	B
277	E-SZA00T150	HX-HPF	188	0.72	1.25	0.80	120	222	4	8.0	B
120 or 208 or 240 or 277	E-SZA00W150	HX-HPF	188	1.66	2.81	1.80	120	96	10	8.0	
		HX-HPF	188	0.96	1.65	1.05	120	166	5	8.0	
		HX-HPF	188	0.83	1.45	0.86	120	192	5	8.0	C
		HX-HPF	188	0.72	1.25	0.80	120	222	4	8.0	

ORDERING INFORMATION

***Add proper suffix to catalog number when ordering as indicated below:
No suffix= Core and Coil and Ignitor Only
B= Core and Coil, Ignitor and Bracket
C= Core and Coil, Ignitor and Capacitor
BC= Core and Coil, Ignitor, Capacitor and Bracket

Lighting & Power Source
2707 Realty Road, Suite 110
Carrollton, TX 75006
(888) 385-4448 Fax: (972) 418-5858
www.ballastsource.com
ISB@solaballast.com

