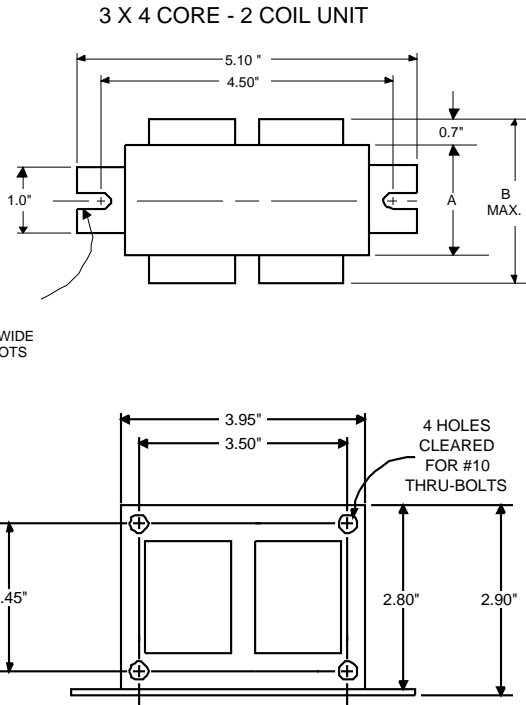




High Pressure Sodium Lamp Ballast

Catalog Number 71A7801
For 50W S68
60 Hz HX-HPF
Status: Active

DIMENSIONS AND DATA



INPUT VOLTS	120	277			
CIRCUIT TYPE	HX-HPF				
POWER FACTOR (min)	90%				
REGULATION	Line Volts ±5%				
	Lamp Watts WITHIN TRAPEZOID				
LINE CURRENT (Amps)					
Operating.....	0.61	0.26			
Open Circuit.....	1.00	0.45			
Starting.....	0.65	0.30			
UL TEMPERATURE RATINGS	Insulation Class H(180°C)				
	Coil Temperature Code 1029				
	A	A			
MIN. AMBIENT STARTING TEMP.	-20°F or -30°C				
NOM. OPEN CIRCUIT VOLTAGE	125				
INPUT VOLTAGE AT LAMP DROPOUT.....	96	222			
INPUT WATTS	66				
RECOMMENDED FUSE (Amps).....	3	1			
CORE and COIL	Dimension (A) 1.00				
	Dimension (B) 2.20				
	Weight (lbs.) 3.5				
	Lead Lengths 12"				
CAPACITOR REQUIREMENT	Microfarads 5.0				
	Volts (min.) 280				
	Fault Current Withstand (amps)				
60 Hz TEST PROCEDURES (Refer to Advance Test Procedure for HID Ballasts - Form 1270)	High Potential Test (Volts)				
	1 minute 2000				
	2 seconds 2500				
	Open Circuit Voltage Test (Volts) 115-135				
	Short-Circuit Current Test (Amps)				
	Secondary Current 1.30-1.90				
	Input Current.....				
	0.60	0.25	-	-	-
	0.80	0.35			

Capacitor: 7C050L33



Capacitance: 5
 Dia/Oval Dim: 1.25
 Height: 2.9
 Temp Rating: 105°C

Ignitor: LI551-H4



Ballast to Lamp Distance (BTL) = 2 feet
 Temp Rating: 105°C



Wiring Diagram:

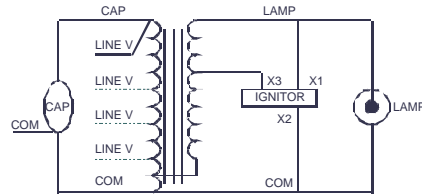


Fig. K3

Typical Ordering Information

(please call Advance for suffix availability)

Order Suffix	Description
500D.	Ballast With Ignitor and Dry Film Capacitor
510D.	Ballast w/Welded Bracket, Ignitor, & Dry Film Capacitor
600.	Ballast and Ignitor, No Capacitor
610.	Ballast with Welded Bracket and Ignitor, No Capacitor

Data is based upon tests performed by Advance Transformer in a controlled environment and representative of relative performance. Actual performance can vary depending on operating conditions. Specifications are subject to change without notice.

ADVANCE

O'HARE INTERNATIONAL CENTER · 10275 WEST HIGGINS ROAD · ROSEMONT, IL 60018
 Customer Support/Technical Service: Phone: 800-372-3331 · Fax: 630-307-3071
 Corporate Offices: Phone: 800-322-2086

05/13/99