

# TECHNICAL SPECIFICATION SHEET

1000 WATT, HPS S52 CWA  
BALLAST E-971-XX-SO1000 60Hz

## CAPACITOR

RATING 26 MFD±3%  
525 VAC, MIN

Dry Film Capacitors  
Thermal Plastic Case

Dry film capacitor contains  
no oil; are furnished  
with 12" leads and  
includes discharge  
resistor.

Max. case temp. 110°C

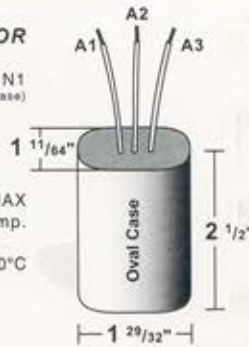


## IGNITOR

37-90-AS-13.1 N1  
(Thermal Plastic Case)

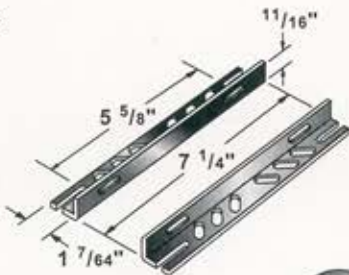
2 FT. MAX  
Distance to lamp.

Max. case temp. 110°C



## BRACKET

CORE & COIL  
MOUNTING BRACKET



KB47  
Mounting bracket for  
Core & Coil Ballasts  
(2 brackets with thru bolts)



C-01

MOUNTING CLIP for round  
case (Furnished as standard  
with B suffix ballasts)

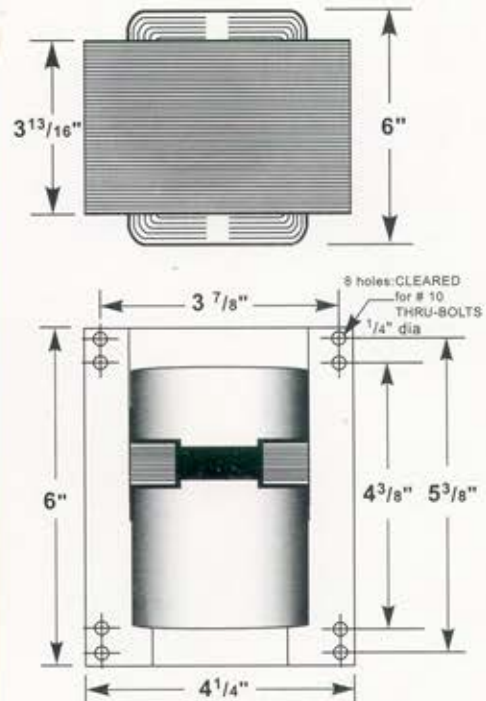


I-01

MOUNTING CLIP for oval case  
(Furnished as standard with B  
suffix ballasts)

## CORE AND COIL

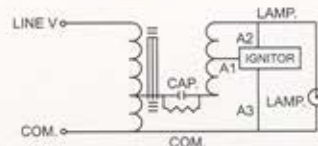
(4 1/4" x 6" CORE)



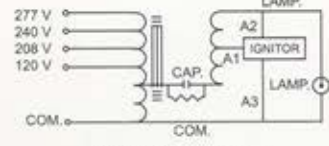
SOLA ballast leads wires are properly identified indicating  
on their surfaces the input voltages. ALL LEAD LENGTHS:  
12 INCHES

## ELECTRICAL CHARACTERISTICS

INPUT VOLTAGE RANGE	±10%
POWER FACTOR	HIGH
LAMP POWER REG.	±10%
MIN. STARTING TEMP.	-40°C



SINGLE VOLTAGE



MULTI VOLTAGE  
120/208/240/277  
VOLT CONNECTION



Line Voltage	Catalog Number	Circuit Type	Input Watts	Line Current (AMPS)			Open Circuit Voltage	Drop Out Voltage	Fuse	Ballast Net Weight (lbs)	UL Bench Top Rise Code 1029
				Operating	Open Circuit	Starting					
120	E-971-F-SO1000	CWA	1100	9.5	4.81	7.6	435	90	25	29	D
208	E-971-R-SO1000	CWA	1100	5.5	3.0	4.3	435	155	15	29	D
240	E-971-M-SO1000	CWA	1100	4.8	2.6	3.75	435	180	10	29	D
277	E-971-T-SO1000	CWA	1100	4.1	2.2	3.27	435	208	10	29	D
480	E-971-DD-SO1000	CWA	1100	2.4	1.4	1.87	435	360	8	29	D
120 or	E-971-W-SO1000	CWA	1100	9.5	4.81	7.6	435	90	25	29	D
208 or		CWA	1100	5.5	3.0	4.3	435	155	15	29	
240 or		CWA	1100	4.8	2.6	3.75	435	180	10	29	
277		CWA	1100	4.1	2.2	3.27	435	208	10	29	

## ORDERING INFORMATION

\*\*\*Add proper suffix to catalog number when  
ordering as indicated below:

No suffix= Core and Coil and Ignitor Only  
B= Core and Coil, Ignitor and Bracket  
C= Core and Coil, Ignitor and Capacitor  
BC= Core and Coil, Ignitor, Capacitor and Bracket

Lighting & Power Source  
2707 Realty Road, Suite 110  
Carrollton, TX 75006  
(888) 385-4448 Fax: (972) 418-5858  
www.ballastsource.com  
ISB@solaballast.com

**ISB SOLA BASIC**  
BALLASTS