

INSTALLATION

English

WARNINGS AND CAUTIONS:

- **TO AVOID FIRE, SHOCK, OR DEATH; TURN OFF POWER** at circuit breaker or fuse and test that power is off before wiring!
- To be installed and/or used in accordance with appropriate electrical codes and regulations.
- If you are unsure about any part of these instructions, consult an electrician.
- This product is intended only for use indoors and in dry locations.

NOTES:

- For use with Leviton® LevNet RF™ 902 MHz products.
- It may be more convenient to link the wireless controls to the Control Transmitter prior to final installation.

DESCRIPTION

Use the Control Transmitter to wirelessly bridge control from one circuit to another. The Control Transmitter monitors any line voltage circuit and broadcasts the status to wirelessly control one or more circuits connected to compatible receivers. Use the Control Transmitter with hardwired switches, occupancy sensors or light sensors to extend the controlling capacity of the sensors beyond the wires.

FEATURES

- **Easy-to-use** - eliminates switch-leg runs.
- **Reliable range** - unique ID of each control transmitter activates only the intended receiver(s).
- **Saves energy** - conserves energy and saves money by using the control transmitter in load shedding or energy-efficient HVAC control applications; connects HVAC, lighting, or other devices to a relay receiver to turn them OFF and ON automatically in sync with any device connected to a control extender.
- **Simple wireless control** - economy HVAC controls, interlocked motor control, and secondary circuit follows power status of primary circuit.
- **Control the way you want it** - controls one or multiple new devices with an existing switch and senses power state of one device, and wirelessly controls a receiver connected to another device.

COMPATIBLE DEVICES

- WSD05-9D0
- WSD20-9D0
- WSP20-9D0
- WSS20-G9N
- WSS20-N9N
- WSG15-D9W
- WSG15-S9W

EEPS:

- 1 - A5-3F-01 - Control Extender (default)

CERTIFICATIONS

- **ETL:** UL 60730 (U.S.)
- **ETL:** CSA c22.2 no.14-05 (Canada)
- **CE:** IEC 60730
- **ETL:** UL 2043 (Plenum)
- **IEC** 61000-4-5 (Surge)
- **FCC:** SZV-STM300U (US)
- **IC:** 5713A-STM300U (Canada)

EQUIPMENT NEEDED FOR INSTALLATION

- Slotted/Philips Screwdriver
- Wire Nuts/ Connectors
- Electrical Tape

CHOOSE THE OPTIMAL MOUNTING LOCATION

The long term reliability and wireless performance of the Relay is strongly influenced by the mounting location. Choose a mounting location carefully. For best radio performance:

- Straighten antenna out and away from metal.
- Create separation distance away from interfering electronics such as fluorescent tube ends, electronic transformers/power supplies, motors, etc.
- Avoid mounting inside metal enclosures.
- Obstructions of metal, concrete and dense building materials will reduce the range. Mount higher and away from obstructions to maximize the range.
- Confirm operating environment does not exceed temp. or humidity specifications.
- Site survey tools are available to help fine tune wireless communications.

INSTALLATION

- 1. WARNING: TO AVOID FIRE, SHOCK, OR DEATH; TURN OFF POWER** at circuit breaker or fuse and test that power is off before wiring!
- 2. PLAN:** Identify best mounting locations for receiver and transmitter. Perform range test to confirm operation prior to installation.
- 3. CONNECT:** Connect the Control Transmitter to circuit following wiring diagram and local electrical codes. Restore power.
- 4. LINK:** Follow instructions provided with receiver. Press and release MENU button to send Link signal.
- 5. TEST:** Use the Sensor Link Test Mode (below) to test operation.

LINKING INSTRUCTIONS

Refer to the Receiver installation guide for Linking instructions. Press and release the MENU button to send a Link signal during the linking process.

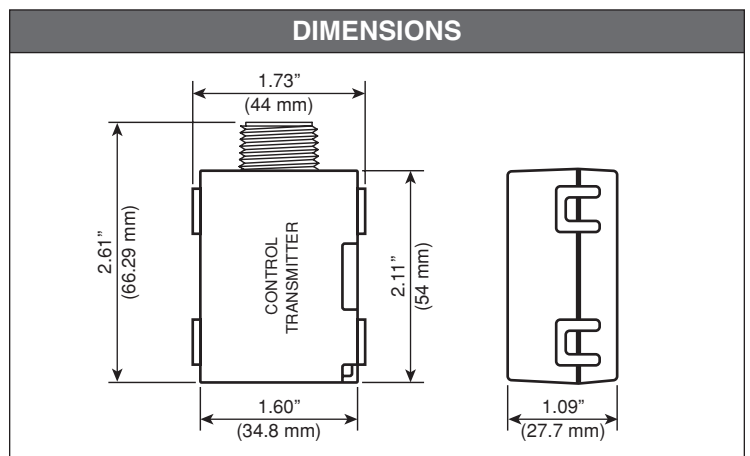
SENSOR LINK TEST MODE

Some receivers support Sensor Link Test Mode. If supported, after Linking, press the MENU button on the Control Transmitter 5 times to activate the Sensor Link Test Mode in any linked receivers. Subsequent presses of the MENU button will cause receivers to toggle:

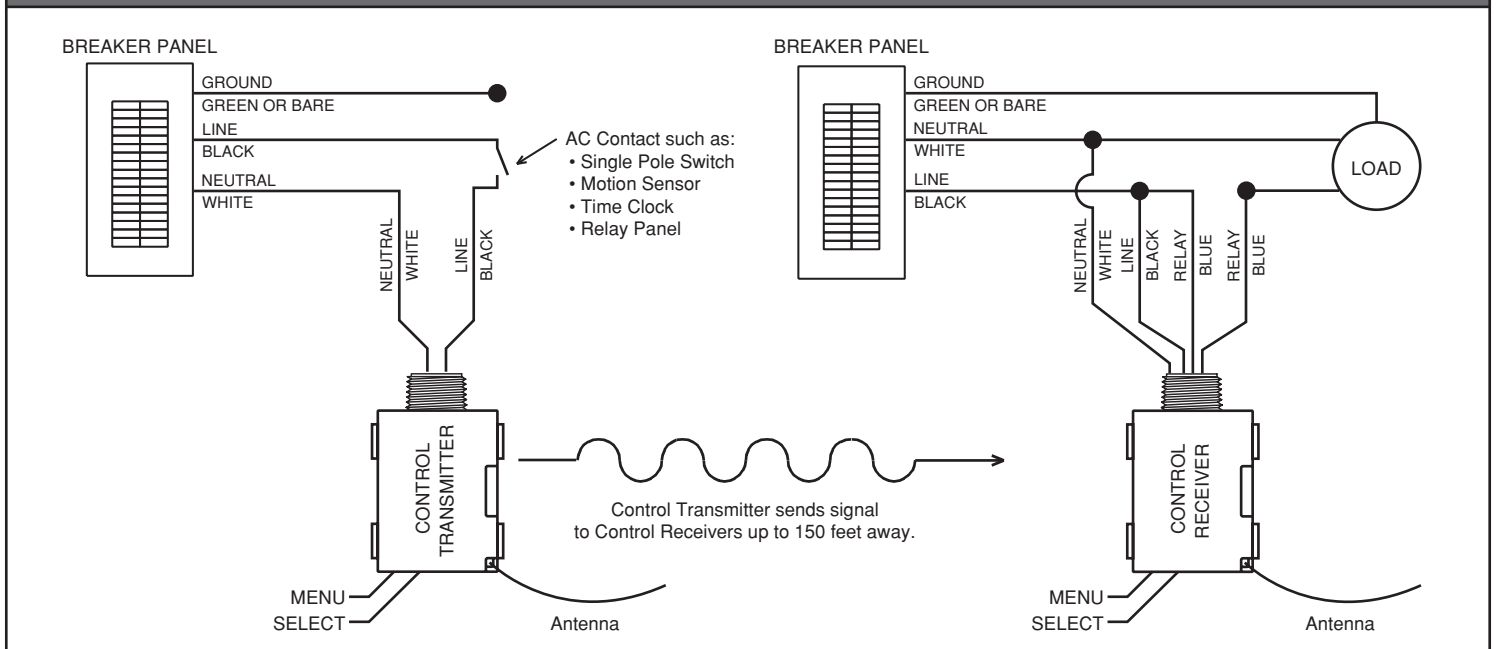
- 1) to confirm that the Control Transmitter is linked.
- 2) to test the reliability of wireless communications.

Receivers will time out of Sensor Link Test Mode after 60 seconds of inactivity.

SPECIFICATIONS	
Frequency:	902 MHz
Range:	50-150 feet (typical)
Power Input:	100-277 VAC 50/60 Hz
Power Consumption:	<0.5 W @ 120 VAC
Output:	Wireless Control Signal
Transmit EEP:	A5-3F-01, (default) MENU button transmits Link Packet
Addressing:	Factory set unique ID (1 of 4 Billion)
Operating Temp:	+32° to +122° F (0° to +50° C)
Storage Temp:	-4° to +176° F (-20° to +80° C)
Humidity:	10-95% non-condensing



WIRING DIAGRAM



FCC COMPLIANCE STATEMENT

Contains: SZV-STM300U

The enclosed device complies with Part 15 of the FCC Rules.

Operation is subject to the following two conditions:

- (i.) This device may not cause harmful interference
- (ii.) This device must accept any interference received, including interference that may cause undesired operation.

Any changes or modifications not expressly approved by Leviton could void the user's authority to operate this equipment.

This equipment has been tested and found to comply with the limits for a Class B digital device, pursuant to part 15 of the FCC Rules. These limits are designed to provide reasonable protection against harmful interference in a residential installation. This equipment generates uses and can radiate radio frequency energy and, if not installed and used in accordance with the instructions, may cause harmful interference to radio communications. However, there is no guarantee that interference will not occur in a particular installation. If this equipment does cause harmful interference to radio or television reception, which can be determined by turning the equipment off and on, the user is encouraged to try to correct the interference by one or more of the following measures:

- Reorient or relocate the receiving antenna.
- Increase the separation between the equipment and receiver.
- Connect the equipment into an outlet on a circuit different from that to which the receiver is connected.
- Consult the dealer or an experienced radio/TV technician for help.

FOR CANADA ONLY

For warranty information and/or product returns, residents of Canada should contact Leviton in writing at **Leviton Manufacturing**

IC COMPLIANCE STATEMENT

Contains: 5713A-STM300U

This device complies with Industry Canada license-exempt RSS standard(s). Operation is subject to the following two conditions:

- (1) this device may not cause interference, and (2) this device must accept any interference, including interference that may cause undesired operation of the device.

IMPORTANT! Any changes or modifications not expressly approved by the party responsible for compliance could void the user's authority to operate this equipment.

This Class B digital apparatus complies with Canadian ICES-003.

LIMITED 5 YEAR WARRANTY AND EXCLUSIONS

Leviton warrants to the original consumer purchaser and not for the benefit of anyone else that this product at the time of its sale by Leviton is free of defects in materials and workmanship under normal and proper use for five years from the purchase date. Leviton's only obligation is to correct such defects by repair or replacement, at its option. This warranty excludes and there is disclaimed liability for labor for removal of this product or reinstallation. This warranty is void if this product is installed improperly or in an improper environment, overloaded, misused, opened, abused, or altered in any manner, or is not used under normal operating conditions or not in accordance with any labels or instructions. **There are no other or implied warranties of any kind, including merchantability and fitness for a particular purpose**, but if any implied warranty is required by the applicable jurisdiction, the duration of any such implied warranty, including merchantability and fitness for a particular purpose, is limited to five years. **Leviton is not liable for incidental, indirect, special, or consequential damages, including without limitation, damage to, or loss of use of, any equipment, lost sales or profits or delay or failure to perform this warranty obligation.** The remedies provided herein are the exclusive remedies under this warranty, whether based on contract, tort or otherwise.

TRADEMARK DISCLAIMER: Use herein of third party trademarks, service marks, trade names, brand names and/or product names are for informational purposes only, are/may be the trademarks of their respective owners; such use is not meant to imply affiliation, sponsorship, or endorsement.