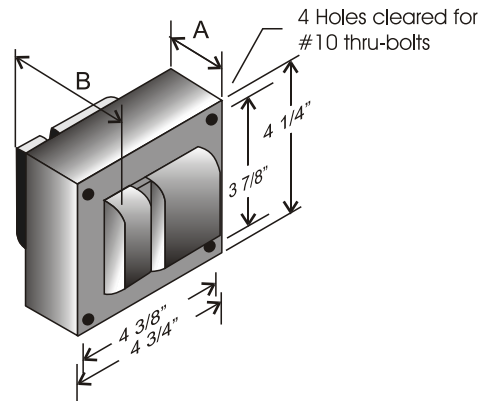


## CATALOG NUMBER: E-SCA00W200 FOR ONE 200 WATT, S 66 HIGH PRESSURE SODIUM LAMP

Line Voltage	120/208/240/277 V
Regulation	
Line Volts	+/-10%
Line Watts	WHITIN TRAPEZOID
Frequency	60 Hz
Circuit Type	CWA
Power Factor (min)	90%
Insulation Class	H(180°)
Min. Ambient Starting Temp.	-40° F or -40° C

### 4 1/4" x 4 3/4" CORE



#### CORE AND COIL

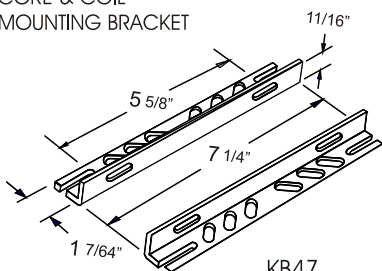
Dimension A (inches)	1.20
Dimension B (inches)	3.0
Weight (lbs)	9.0
Lead Lengths (inches)	12

Line Voltage (Volts)	120	208	240	277
Line Current (Amps)				
Operating	1.96	1.13	0.98	0.85
Open Circuit	1.40	0.90	0.70	0.65
Starting	1.24	0.72	0.65	0.54
Input Watts (W)	230	230	230	230
Open Circuit Voltage (V)	182	182	182	182
Drop Out Voltage	80	130	150	180
UL(1029) Bench Top Rise	B	B	A	A
Recommended Fuse (Amps)	6	3	3	3

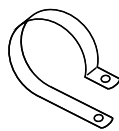
HIGH POTENTIAL TEST (VOLTS)				
1 Minute	2000			
2 Seconds	2500			
Open Circuit Voltage Test (volts)	162-202			
Short-Circuit Current Test (Amps)				
Secondary Current	2.8-3.40			
Input Current	1.00-1.30	0.55-0.75	0.50-0.65	0.40-0.57

#### BRACKET

CORE & COIL  
MOUNTING BRACKET



KB47  
Mounting bracket for  
Core & Coil Ballasts  
(2 brackets with thru bolts)

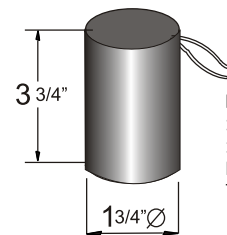


C-01  
MOUNTING CLIP for round case (Furnished as standard with B suffix ballast)



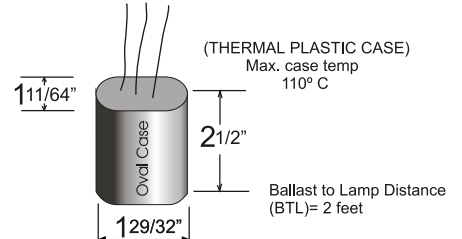
I-01  
MOUNTING CLIP for oval case (Furnished as standard with B suffix ballast)

#### CAPACITOR

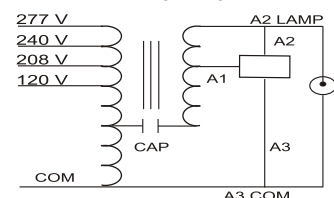


RATING  
28 Mfd ± 3%  
240 VAC MIN  
Dry Film Capacitor  
Thermal Plastic Case  
Max. Case Temp 100° C

#### IGNITOR 37-63-AS-6.9-N6



#### WIRING DIAGRAM



MULTI VOLTAGE  
120/208/240/277 VOLT CONNECTION

### ORDERING INFORMATION

\*\*\* Add proper suffix to catalog number when ordering as indicated below:  
No suffix = Core and Coil Only  
B = Core and Coil, and Bracket  
C = Core and Coil, and Capacitor  
BC = Core and Coil, Capacitor and Bracket

Data is based upon tests performed by Industrias Sola Basic in a controlled environment and representative of relative performance. Actual Performance can vary depending on operating conditions. Specifications are subject to change without notice.

Made in Mexico by Industrias Sola Basic S.A de C.V.

G01



Lighting & Power Source LP.  
2707 Realty Road, Suite 110  
Carrollton, TX 75006 USA  
Tel: (972) 416-4500  
Fax: (972) 418-5858