

LevNet RF™ 902 MHz Wireless Remote Entry Stations

For use with LevNet RF 902 MHz Receivers



Rocker
Entry Station



Dual Rocker
Entry Station



Handheld 4-Button
Remote

LevNet RF 902 MHz Wireless Remote Entry Stations (used for dimming and switching) can control an unlimited number of LevNet 902 MHz RF Receivers in range. LevNet RF Remote Entry Stations use no wires or batteries resulting in zero power consumption. Pressing the rocker pad provides the energy to transmit a wireless signal that controls lights (dimming or switching) or other devices connected to LevNet RF Receivers. Wireless remote entry stations are primarily used to control lights in businesses or homes, but they can be used to control virtually any device.

Each wireless remote entry station can be placed anywhere within range of a receiver. Traditionally the remote entry station is surface mounted on a wall with screws or industrial tape, but can also be used in a standard wallbox or as a wireless handheld remote. The unique ID of each device activates only the intended receiver(s). Wireless, self-powered technologies are the ideal solution for retrofits and new construction. Installation is quick and easy with no additional wiring required. It takes only minutes to install and configure.

APPLICATIONS

- Retrofits
- New construction
- Conference rooms
- Classrooms
- Lounges/lobbies
- Private offices
- Executive offices
- Restrooms
- Daycare facilities
- Multimedia areas
- Houses of worship
- Shop/Garage
- Gym
- Restaurant
- Dimming control
- Multi-location (3-way or 4-way) switching applications



enocean® alliance
No Wires. No Batteries. No Limits.

PRODUCT DATA

SINGLE ROCKER DECORA® ENTRY STATION (WSS0S-S9)

Control one light or one group of lights with the wireless remote single rocker entry station. One station can control an unlimited number of LevNet RF receivers within range.



DUAL ROCKER DECORA ENTRY STATION (WSS0S-D9)

Control two lights or two groups of lights with the wireless remote dual rocker rocker entry station. Each rocker can separately control an unlimited number of LevNet RF receivers within range.



HANDHELD 4-BUTTON REMOTE (WSS0S-R9W)

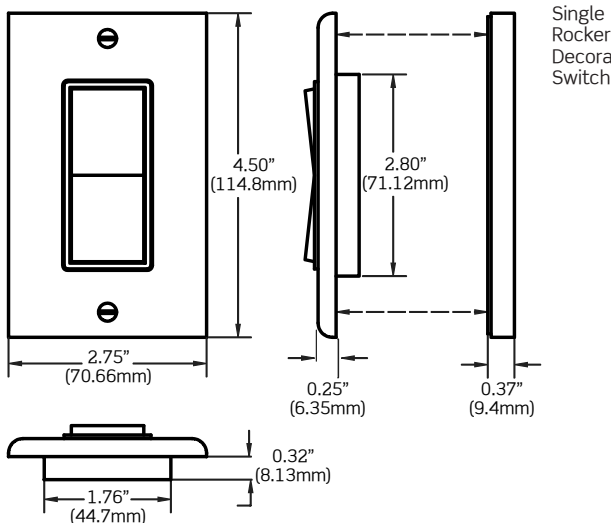
Control two lights, two groups of lights, or four individual lights with the handheld 4-button remote. Each button can separately control an unlimited number of LevNet RF receivers within range.



The handheld remote has four buttons that are programmable to control up to four individual receivers or dependent groups. Small enough to fit in the palm of your hand, you can keep it in your pocket, on a table or leave it in your car to turn lights on as you pull up to a building or house.

Ideal for energy-saving hotel room controls, occupancy-based control of lights and devices, integrated HVAC and lighting control, and optional master ON/OFF controls.

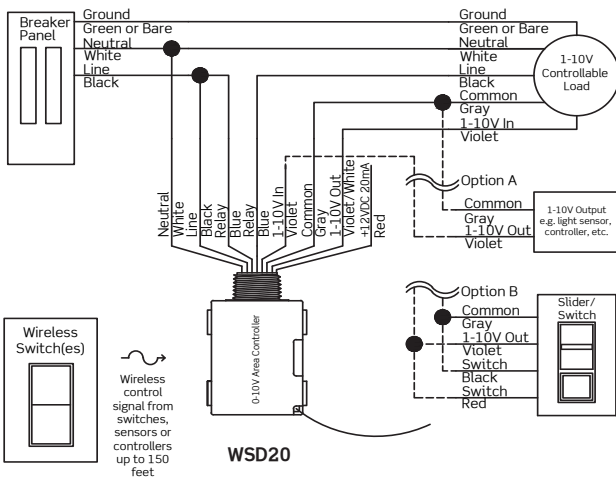
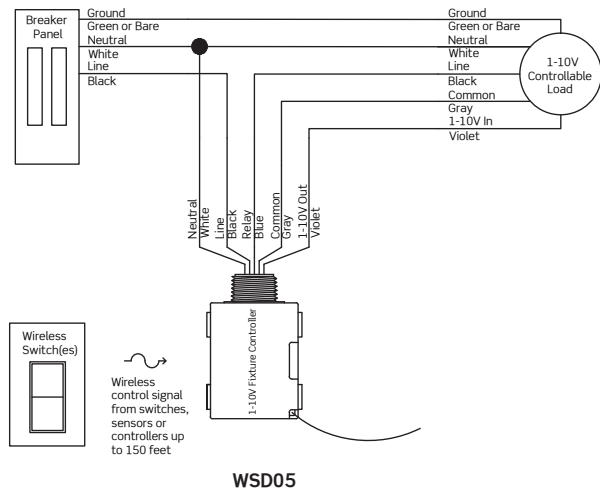
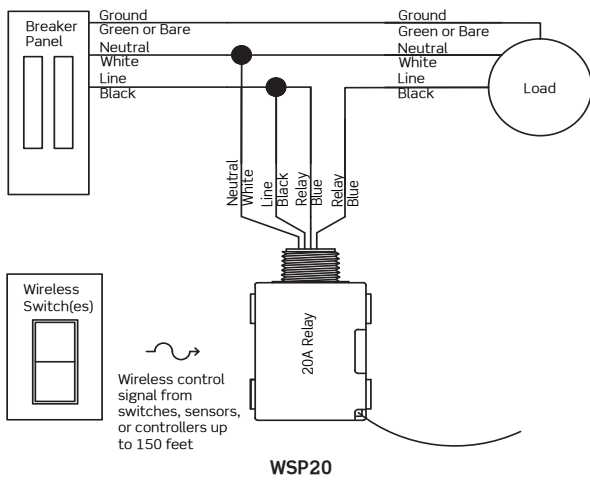
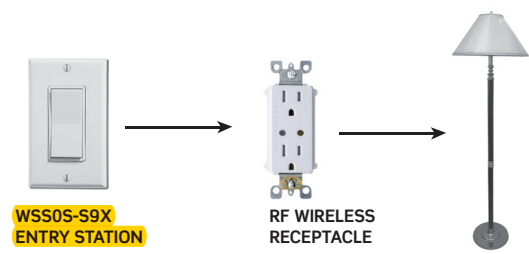
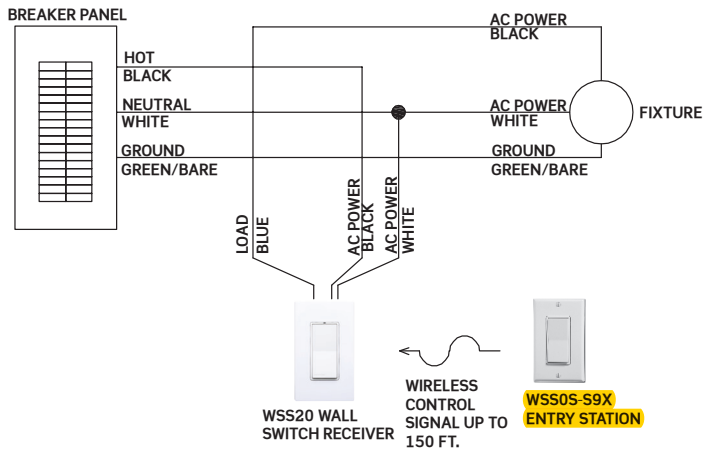
DIMENSIONS



FEATURES

- **Zero Power Consumption** — the motion of a switch actuation provides the energy to power the device, eliminating additional expenses to the end user's energy bill
- **Zero External Power Required** — with no power wire limitations, this offers the installer flexibility to place the RF switch anywhere
- **Zero Charge Time to Operation** — self-powered technology enables the LevNet RF device to be operational immediately
- **True Wireless** — LevNet RF remote entry stations are self-powered and communicate with all LevNet RF and EnOcean receivers via radio frequency
- **No Additional Wiring** — self-powered wireless technology eliminates the need to pull additional wire, making installation quick and easy and increasing labor savings with little to no impact to business during conversion
 - **No Batteries or External Power Required** — exclusive "battery-less" technology significantly reduces callbacks and maintenance for additional savings
- **Additional Energy Savings** — wireless technology supports simplified daylight harvesting and manual override options with no additional wiring
- **Rocker Style ON/OFF Switching** — provides remote control for manual-ON/OFF light switching of each multiple light load at any time; top button = ON, bottom button = OFF (WSS0S-S9 and WSS0S-D9)
- **Momentary Style ON/OFF Switching** — provides remote control for pushbutton manual-ON/OFF light switching of each multiple light load at any time; hold button = ON, release button = OFF
- **Convenient Multi-Location (3-way or 4-way) Switching** — mount switches anywhere, create 3-way or 4-way switches, control lights, motors, or other electrical loads and reconfigure or relocate as needed
- **Save Energy** — create manual-ON/auto-OFF controls using LevNet RF switches and occupancy sensors or by programming all lights to respond to a single master switch
- **Control the Way You Want it** — use with multiple line voltage or low voltage LevNet RF receivers to control an unlimited number of LevNet RF receivers within range for wireless dimming or ON/OFF control

BASIC LIGHTING CONTROL APPLICATIONS



LevNet RF™ 902 MHz Wireless Remote Entry Stations

SPECIFICATIONS

LEVNET RF 902 MHZ REMOTE ENTRY STATIONS	
Range	50-150'
Frequency	902 MHz
Memory	Stores up to 20 transmitter IDs
Transmission Interval	Touch
Transmission Time	<30 Milliseconds
Transmissions	2 packets per press or release
Mechanical Cycles	>50,000
Device Address	Unique from factory
Power Supply	Self-generated when switch is pressed
Output Channels	Only limited by number of receivers in range
Usage	Indoors only
Operating Temperature Range	32-122°F (0-50°C)
Radio Certification	FCC Certified for Wireless Communication (U.S.), I.C. Certified (Canada) FCC ID: SZV-STM300U IC: 5713A-STM300U
Warranty	Limited Five-Year
SINGLE ROCKER DECORA ENTRY STATION (WSS0S-S9) DUAL ROCKER DECORA ENTRY STATION (WSS0S-D9)	
Rockers	WSS0S-S9: 1 rocker, 2 pushbuttons WSS0S-D9: 2 rockers, 4 pushbuttons
Dimensions	2.75" W x 4.50" H x 0.32" D (69.85mm x 114.30mm x 81.30mm)
LEVNET RF 902 MHZ HANDHELD 4-BUTTON REMOTE (WSS0S-R9W)	
Pushbutton	4 Individual pushbuttons
Dimensions	1.85" W x 3.15" H x 0.7" D (46.99mm x 80.01mm x 17.78mm)

ORDERING INFORMATION

CAT NO.	DESCRIPTION
WSS0S-S9*	LevNet RF 902 MHz Single Rocker Decora Entry Station
WSS0S-D9*	LevNet RF 902 MHz Dual Rocker Decora Entry Station
WSS0S-R9W	LevNet RF 902 MHz Handheld 4-Button Remote

*To indicate color, add suffix to the end of the catalog number. Available in White (-W), Ivory (-I), Light Almond (-T), Gray (-G), and Ebony (-E).
Made in USA models available.

Leviton Manufacturing Co., Inc. Global Headquarters
Leviton Manufacturing Co., Inc. Lighting & Energy Solutions
Leviton Manufacturing of Canada, Ltd.

Leviton S. de R.L. de C.V.