

## CATALOG NUMBER: E-MCA00W71

### FOR ONE 70 WATT, M85 or M98 or M139 MH LAMP

Line Voltage	120/208/240/277
Regulation	+/-10%
Frequency	60 Hz
Circuit Type	CWA
Insulation Class	H(180°)
Min. Ambient Starting Temp.	-20° C

### ELECTRICAL CHARACTERISTICS

Line Voltage	120	208	240	277
Line Current (Amps)				
Operating	0.85	0.50	0.43	0.39
Open Circuit	0.94	0.55	0.48	0.41
Starting	0.55	0.30	0.26	0.23
Input Watts (W)	95	95	95	95
Open Circuit Voltage (V)	215	215	215	215
Drop Out Voltage	60	100	115	135
UL(1029) Bench Top Rise	A	A	A	A
Recommended Fuse (Amps)	3	2	2	1

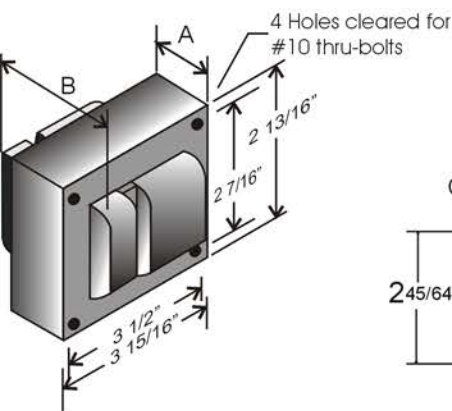
### CORE AND COIL

Dimension A (inches)	1.60			
Dimension B (inches)	2.90			
Weight (lbs)	5.8			
Lead Lengths (inches)	12			

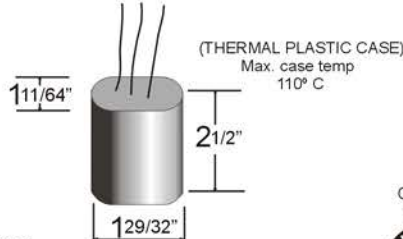
### CAPACITOR REQUIREMENTS

Microfarad (Min volt)	9 Mfd, 300 VAC			
-----------------------	----------------	--	--	--

### 3" X 4" CORE



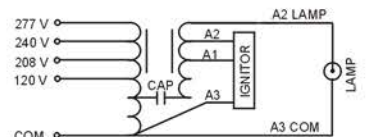
### IGNITOR 356-AS-71-HC



### CAPACITOR



### WIRING DIAGRAM



MULTI VOLTAGE  
120/208/240/277 VOLT CONNECTION

CERT. No.  
006281



ISO 9001



Lighting Source  
2707 Realty Road, Suite 110  
Carrollton, TX 75006  
Tel: (888) 385-4448  
Fax: (972)