

TECHNICAL SPECIFICATION SHEET

250 WATT, HPS S50 CWA
BALLAST E-971-XX-SO250 60Hz

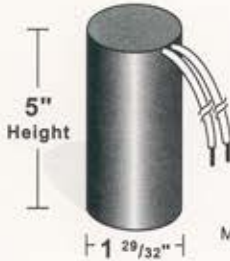
CAPACITOR

RATING 35 MFD±3%
240 VAC, MIN

Dry Film Capacitors
Thermal Plastic Case

Dry film capacitor contains no oil; are furnished with 12" leads and includes discharge resistor.

Max. case temp. 110°C

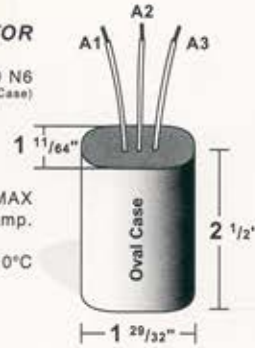


IGNITOR

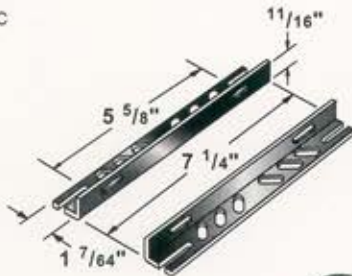
37-63-AS-6.9 N6
(Thermal Plastic Case)

2 F.T. MAX
Distance to lamp.

Max. case temp. 110°C



BRACKET CORE & COIL MOUNTING BRACKET



KB47
Mounting bracket for
Core & Coil Ballasts
(2 brackets with thru bolts)



C-01

MOUNTING CLIP for round case
(Furnished as standard with B suffix ballasts)

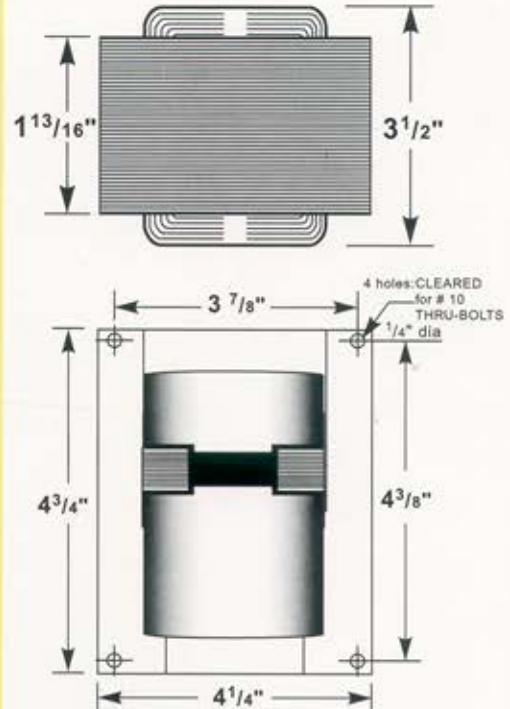


I-01

MOUNTING CLIP for oval case
(Furnished as standard with B suffix ballasts)

CORE AND COIL

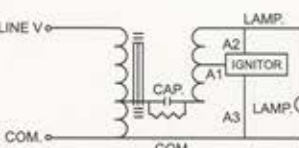
(4 1/4" X 4 3/4" CORE)



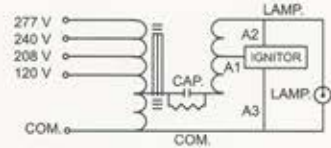
SOLA ballast leads wires are properly identified indicating on their surfaces the input voltages. ALL LEAD LENGTHS: 12 INCHES

ELECTRICAL CHARACTERISTICS

INPUT VOLTAGE RANGE	±10%
POWER FACTOR	HIGH
LAMP POWER REG.	±10%
MIN. STARTING TEMP.	-40°C



SINGLE VOLTAGE



MULTI VOLTAGE
120/208/240/277
VOLT CONNECTION

File No. E182278

Line Voltage	Catalog Number	Circuit Type	Input Watts	Line Current (AMPS)			Open Circuit Voltage	Drop Out Voltage	Fuse	Ballast Net Weight (lbs)	UL Bench Top Rise Code 1029
				Operating	Open Circuit	Starting					
120	E-971-F-SO250	CWA	295	2.5	1.7	1.67	185	70	8	11.6	A
208	E-971-R-SO250	CWA	295	1.5	0.95	0.95	185	120	5	11.6	B
240	E-971-M-SO250	CWA	295	1.3	0.86	0.8	185	140	4	11.6	A
277	E-971-T-SO250	CWA	295	1.1	0.74	0.68	185	160	4	11.6	A
480	E-971-DD-SO250	CWA	295	0.65	0.43	0.45	185	260	2	11.6	B
120 or	E-971-W-SO250	CWA	295	2.5	1.7	1.67	185	70	8	11.6	B
208 or		CWA	295	1.5	0.95	0.95	185	120	5	11.6	
240 or		CWA	295	1.3	0.86	0.8	185	140	4	11.6	
277		CWA	295	1.1	0.74	0.68	185	160	4	11.6	

ORDERING INFORMATION

***Add proper suffix to catalog number when ordering as indicated below:

No suffix= Core and Coil and Ignitor Only

B= Core and Coil, Ignitor and Bracket

C= Core and Coil, Ignitor and Capacitor

BC= Core and Coil, Ignitor, Capacitor and Bracket

Lighting & Power Source
2707 Realty Road, Suite 110
Carrollton, TX 75006
(888) 385-4448 Fax: (972) 418-5858
www.ballastsource.com
ISB@solaballast.com

ISB SOLA BASIC®
BALLASTS