

# LevNet RF™ 902 MHz Decora® Rocker Wall Switch Receivers

## For use with LevNet RF 902 MHz Products



### BASIC OPERATION

The LevNet RF™ 902 MHz Decora® Rocker Wall Switch Receivers (WSS20) features a robust rocker (return-to-neutral) manual switch used to toggle the lighting load ON or OFF. Using EnOcean® technology, but upgraded to the proven 902 MHz radio frequency, the WSS20 leads the industry in quality and reliability. The WSS20 is compatible with all Leviton 902 MHz EnOcean-enabled, self-powered transmitters. The WSS20 is the optimal solution for retrofit applications where incandescent, fluorescent and LED lighting controls are required. The WSS20 replaces a traditional single-pole wall switch and fits in a standard single-gang wall box. No additional wiring is required.

### FEATURES

- **Decora Design Aesthetics** — intuitive rocker switch with return-to-center design
- **No New Wiring Required** — the LevNet RF Wall Switch Receivers simply replaces the existing light switch and communicates with self-powered switches and sensors via radio 902 MHz frequency
- **Vacancy Switching** — provides pushbutton manual-ON/OFF light switching of each light load at any time
- **Maximize Energy Savings** — when paired with the LevNet RF PIR Occupancy Sensor, the LevNet RF Wall Switch Receivers contain all sensor settings. Manual-ON/auto-ON, auto-ON/auto-OFF, walk-through timer, auto time-out selections of 2 minutes for testing (10, 20 or 30 minutes). Allows flexibility and customized adjustments to maximize energy savings.

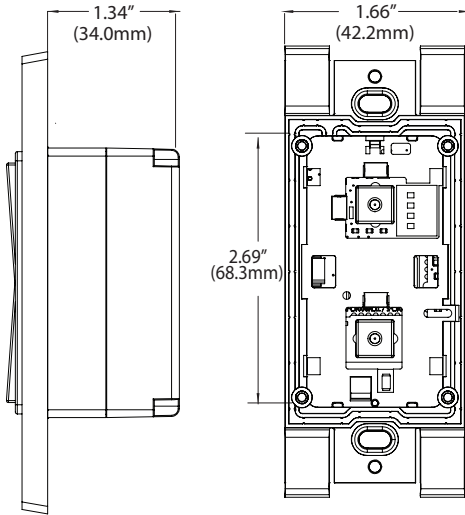
- **Presentation/Viewing Mode** — turns lights OFF and keeps them OFF while room is occupied (i.e. for slide or film presentations), automatically returns to normal when manually switched back ON or room becomes vacant and time delay expires
- **Walk-Thru Feature** — maximizes energy savings by assuring a 2.5 minute time-out if motion is not present after 2.5 minutes in auto-ON mode
- **Standard Size for Seamless Installation** — LevNet RF Wall Switch Receivers fit in a standard single gang wall box
- **Required Wiring** — neutral and non-neutral models available; non-neutral requires 25W minimum load
- **Zero-Cross Relay** — switches at the zero crossing point of the AC power curve to ensure maximum contractor life and compatibility with electronic ballasts
- **Energy Savings and Efficiency** — lowest power consumption of any RF device - less than 1/2W per 120V device and less than 2/3W per 277V device annually - approximately 70% savings over other RF devices
- **Air Gap Switch** — assures A/C power disconnects for safety on no-neutral switch
- **Color Change Kits** — White, Ivory and Light Almond included for design flexibility, ease of ordering, inventory and cost control
- **10A load rating** — for commercial lighting circuits
- **EnOcean technology enabled** — for LevNet RF communication from self-powered lighting controls
- **H.I.S. (High Inrush Stability)** — arcing design for use with all commercial ballasts
- **Retrofit Energy Saving Bi-level Lighting with Occupancy Sensor Control** — replace two light switches with LevNet RF wall switch receivers — pair both with self-powered RF PIR sensor, set the first LevNet RF wall switch to auto-ON/auto-OFF and the second to manual-ON/auto-OFF

### Product Compatibility

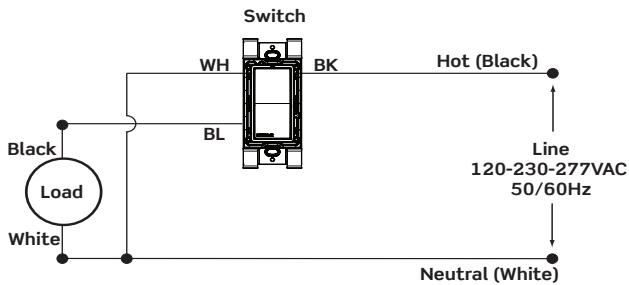
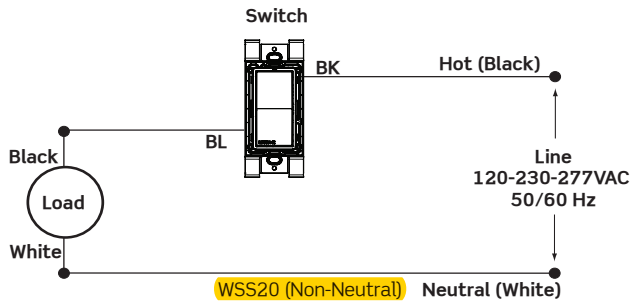
- LevNet RF 902 MHz products



**DIMENSIONS**



**WIRING DIAGRAM**



WSS20 (Neutral)

**SPECIFICATIONS**

ELECTRICAL	
Range	50-150'
Frequency	902 MHz
Memory	Stores up to 20 transmitter IDs
Power Consumption	<0.5W
Input Voltage	120-230-277VAC
Output Channels	Form C latching relay
Operational Frequency	@50/60 Hz
Button Pairing Modes	Rocker, momentary and toggle
Vacancy Confirmation	30 seconds
Load Rating	Incandescent: 800W @ 120V Fluorescent ballasts: 1200VA @ 120V, 2700VA @ 277V LED: 400W @120V Motor: 1/4 HP Load @ 120V 25W minimum load required (non-neutral)
Wire Designation	Line - black, load - blue neutral - white

ENVIRONMENTAL	
Operating Temperature Range	32-122°F (0-50°C)
Storage Temperature Range	32-104°F (0-40°C)
Relative humidity	0-95%, non-condensing
Usage	Indoors only

OTHER	
Listings	CA Title 24 Compliant, ETL/cETL Listed to: UL508, CAN/CSA C22.2 #14
Radio Certification	FCC certified for wireless communication (U.S.), I.C. Certified (Canada) FCC ID: SZV-STM300U IC: 5713A-STM300U
Warranty	Limited 5-year

CAT. NO.*	DESCRIPTION
WSS20-G9N	LevNet RF 902MHz Decora Rocker Wall Switch Receiver, non-neutral
WSS20-N9N	LevNet RF 902MHz Decora Rocker Wall Switch Receiver, with neutral

\*All WSS20 models ship with the Color Change Kit – includes a White, Ivory and Light Almond Faceplate. NAFTA models available.

LevNet RF™ 902 MHz Decora® Rocker Wall Switch Receivers