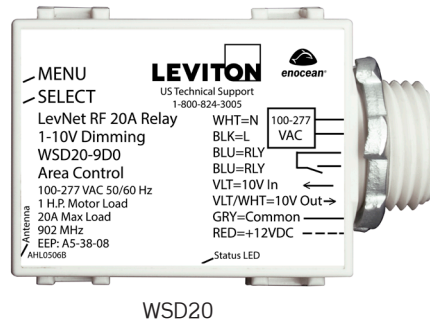
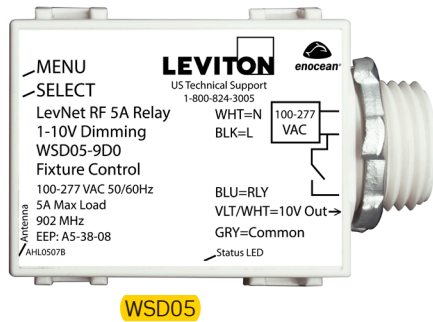


# LevNet RF™ 902MHz 1-10V Dimming Controllers

## For use with LevNet RF 902 MHz Products



The LevNet RF™ 902 MHz 1-10V Dimming Controllers adjusts brightness of compatible fluorescent ballasts and LED drivers by responding to wireless signals from self-powered wireless entry stations, wireless sensors and/or central controllers. The wireless controllers reduce time, frustration and the mess of installation so sensors and entry stations can be installed in optimal locations without the need for maintenance or batteries. The controllers are compatible with all 120VAC, 240VAC or 277VAC circuits.

The LevNet RF 1-10V 20A Dimming Area Controller is used to control groups of lighting fixtures or motor loads such as fans, pumps, and gates. Simply install the controller at the front circuit/load location and install as many as 25 wireless transmitters anywhere within range. Additionally, the area dimming controller includes isolated contacts that allows connection from alternate hardwired control devices.

The LevNet RF 1-10V 5A Dimming Fixture Controller is used to control single lighting fixtures. Simply install the controller on the fixture and install as many as 25 wireless transmitters anywhere within range. The LevNet RF line includes multiple products operating in the uncrowded 902 MHz radio frequency (RF) band offering greater transmission range (50-150') than other RF technologies with minimal competitive traffic.

### FEATURES

- **Power consumption** — save 70% over other wireless technologies
- **Long range** — with a 50-150' range, LevNet RF provides the longest reliable range in the industry
- **Built-in repeater** — for optimal wireless performance
- **Easy-to-use** — programs in seconds; run zero switch-leg or traveler wires
- **Increased memory** — each unit stores up to 25 Transmitter IDs; error checking ensures the controller only responds to appropriate transmitters on all packet transfers
- **Save energy** — teach the controllers to respond to a LevNet RF sensor or teach all lights to respond to a single master switch
- **Control the way you want it** — control the dimming area and fixture controllers with a variety of devices – wireless self-powered entry stations, sensors and more
- **Simple wireless controls** — single-pole, 3-way, and 4-way switches; architectural lighting control; motor control; and manual-ON/OFF and auto-OFF controls

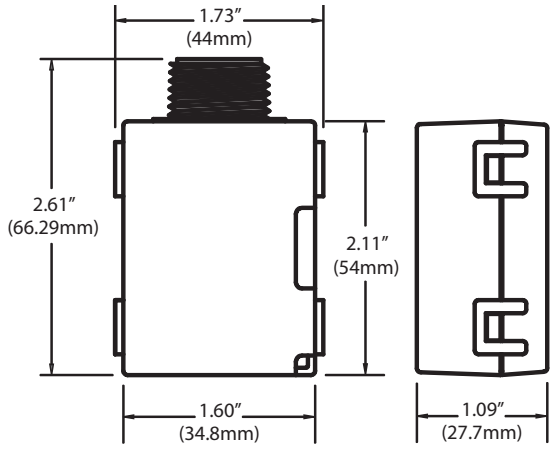
### APPLICATIONS

- Daylight harvesting
- Load shedding
- Retrofits
- New construction
- Conference rooms
- Classrooms
- Multi-media areas
- Houses of worship
- Shop/Garage
- Gym
- Restaurant

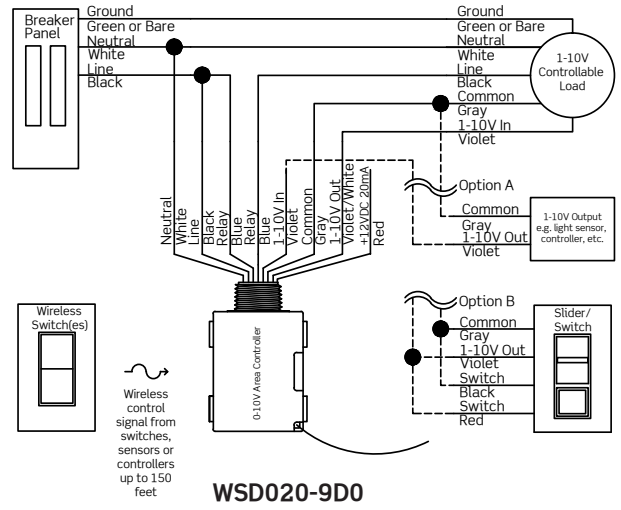
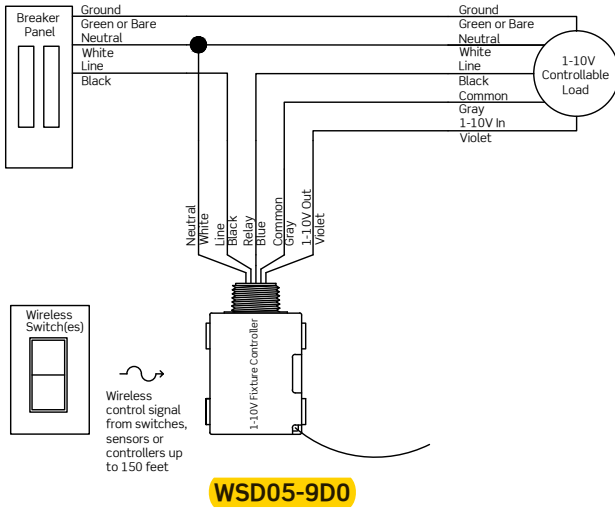


# PRODUCT DATA

## DIMENSIONS



## WIRING DIAGRAMS



## SPECIFICATIONS

<b>LEVNET RF 902 MHZ 1-10V DIMMING AREA &amp; FIXTURE CONTROLLERS</b>	
Range	50-150'
Frequency	902 MHz
Memory	Stores up to 20 transmitter IDs
Operating Temperature	32-122°F (0-50°C)
Storage Temperature	-4-176°F (-20-80°C)
Endurance	1,000,000 minimum mechanical cycles (no load @ 1800 cycles/hr)
Dimensions	2.11" H x 1.73" W x 1.09" D (54mm x 44mm x 28mm)
Weight	5oz. (141.75g)
Listings	UL 60730 (safety), UL 2043 (plenum), CSAc22.2#14-05 (safety), CE IEC 60730, CA Title 24
Radio Certification	FCC certified for wireless communication (U.S.), IC certified (Canada) FCC ID: SZV-STM300U IC: 5713A-STM300U
All Loads: Metal Halide, Sodium Vapor, Induction, Fluorescent, LED, Other	All loads 5A (WSD05-9D0), 20A (WSD20-9D0) 1/4HP motor load (WSD05-9D0), 1HP motor load (WSD20-9D0)
Power Supply Input	100-277VAC, 50/60 Hz
Rating: Tungsten/Incandescent, Fluorescent ballast, general duty	5A (WSD05-9D0), 20A (WSD20-9D0)
Output Channels	1 - latching form A relay, selectable N.O. or N.C. power up state 1 - 1-10V output signal (sink 100mA, source 1mA)
Inputs	1 - 1-10V input signal 1 mA source (WSD20-9D0 only)
12VDC Output	10mA source (WSD20-9D0 only)

## ORDERING INFORMATION

<b>CAT. NO.</b>	<b>DESCRIPTION</b>
<b>WSD05-9D0</b>	LevNet RF 902MHz Wireless 5A Relay 1-10V Dimming Fixture Controller, 100-277V
WSD20-9D0	LevNet RF 902MHz Wireless 20A Relay 1-10V Dimming Area Controller, 100-277V