

## CATALOG NUMBER: E-MCA00W151

### FOR ONE 150 WATT, M81 or M102 or M142 MH LAMP

Line Voltage	120/208/240/277
Regulation	+/-10%
Frequency	60 Hz
Circuit Type	CWA
Insulation Class	H(180°)
Min. Ambient Starting Temp.	- 20° C

### ELECTRICAL CHARACTERISTICS

Line Voltage	120	208	240	277
Line Current (Amps)				
Operating	1.64	0.95	0.82	0.71
Open Circuit	1.80	1.03	0.90	0.78
Starting	1.06	0.58	0.53	0.45
Input Watts (W)	189	189	189	189
Open Circuit Voltage (V)	215	215	215	215
Drop Out Voltage	65	105	125	150
UL(1029) Bench Top Rise	E	D	C	C
Recommended Fuse (Amps)	5	3	3	2

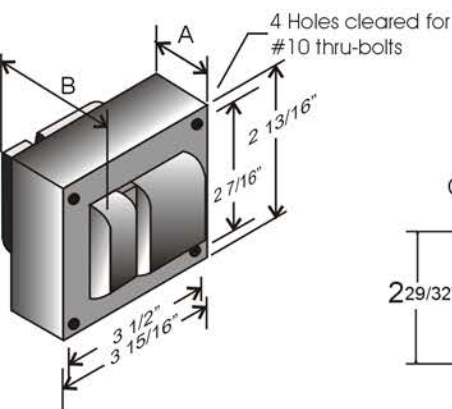
### CORE AND COIL

Dimension A (inches)	2.50			
Dimension B (inches)	3.75			
Weight (lbs)	8.30			
Lead Lengths (inches)	12			

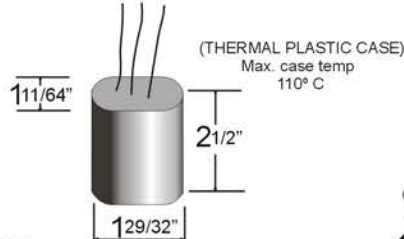
### CAPACITOR REQUIREMENTS

Microfarad (Min volt)	17 Mfd, 330 VAC			
-----------------------	-----------------	--	--	--

### 3" X 4" CORE



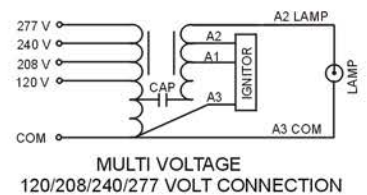
### IGNITOR 356-AS-71-HC



### CAPACITOR



### WIRING DIAGRAM


 CERT. No.  
006281


ISO 9001



Lighting Source  
2707 Realty Road, Suite 110  
Carrollton, TX 75006  
Tel: (888) 385-4448  
Fax: (972)