

# LED EP38-2020ew

Part #: EBP38DM/B/17W/120V/40D/27K/E26/EW Bulb Class: PAR38



## Product Description

**LED EP38-2020ew** delivers superior brightness, valuable energy savings, long lasting performance and true color perception. This flood PAR38 LED bulb is ideal for task lighting due to its uniform yet focal \*warm white light (2700K) replacing conventional 100 Watt incandescent bulbs. Built-in MCOB LED Technology offers exceptional light uniformity, energy efficiency, and optimal heat dissipation guaranteeing durability and constant bulb performance. Enjoy features such as: instant on, dimming options, shatter resistance, mercury free and 90+ CRI.



**Estimated Energy Cost:** \$2.04 per year



**MCOB**  
LED TECHNOLOGY

**100W**  
REPLACEMENT

\*Note: Design, features and specifications subject to change without notice. Some features may not be available on all models.

## Specifications

Input Power	Input Voltage	Lumen Output	Beam Angle	Center Beam	CCT
17 W	120 V	1200 lm	40°	1938 cd	2700 K
CRI	Luminous Efficacy	Power Factor	Input Current	Base/Cap	Lamp Lifespan
91	70 lm/W	0.9	0.1 A	E26	25,000 Hrs.

### Product Features



Dimmable



Instant-On/Off

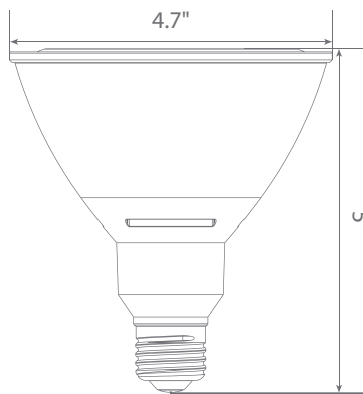


Mercury Free



Energy Efficient

### Product Dimensions



### Product Photometric Data

