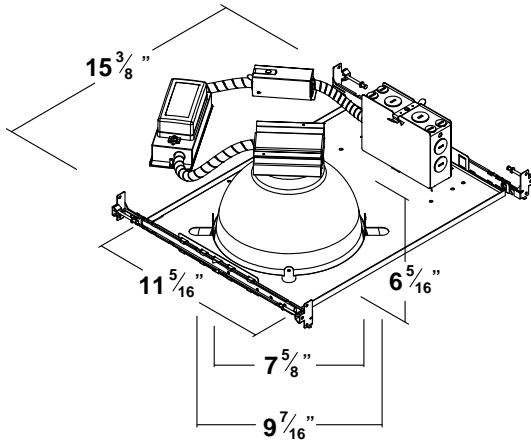


**LED 8" COMMERCIAL RECESSED
DOWNLIGHT FIXTURE**
RCF SERIES



PRODUCT DESCRIPTION:

MaxLite's NON-IC commercial recessed downlight fixtures are an economical LED lighting solution for new construction applications including offices, healthcare facilities, educational institutions and other buildings that want to reduce maintenance and energy consumption without sacrificing quality of light.

FEATURES:

- Unique optic allows high lumen transmission while concealing the LED light source resulting in efficient, inviting light and minimizing LED glare
- Junction box listed for through branch circuit wiring (Max. 8 no.12AWG 90C conductors, 4 in and 4 out)
- Suitable for damp location use
- Dimmable down to 5% (120v only)
- Five year warranty

ELECTRICAL:

- Universal voltage, driver can be supplied with 120V-277V
- LED array will provide minimum 50,000 hour L70 lifetime

MODEL SELECTION (Full list of order codes on pg. 3) Typical order example: RCF83430W

RCF	8			W
FAMILY	SIZE	WATTAGE (NOMINAL)	CCT	TRIM COLOR
RCF= Commercial Recessed Frame	8= 8" Nominal diameter reflector	15= 15W *23= 23W 26= 26W *30= 30W 34= 34W	30= 3000K 40= 4000K	W= White

ACCESSORIES			
ORDER CODE	MODEL NUMBER	DESCRIPTION	ACCESSORIES IMAGE
74088	RR8-BNRING	8" Brushed Nickel Trim Ring	

NOTES:

- * 26W & 30W models are not ENERGY STAR qualified

SPECIFICATIONS:

		RCF81530W	RCF81540W	RCF82330W	RCF82340W	RCF82630W	RCF82640W
ITEM	SPECIFICATION	15 WATTS - DETAILS		23 WATTS - DETAILS		26 WATTS - DETAILS	
GENERAL PERFORMANCE	Color Temperature	3000K	4000K	3000K	4000K	3000K	4000K
	Lumens Delivered (lm)	840	920	1670	1750	1500	1645
	Efficacy (lm/w)	60	65	73	76	58	63
	Lumen Maintenance (L70)	50,000 hours					
ELECTRICAL	Power Consumption	14 Watts		23 Watts		26 Watts	
	Power Factor	>0.9					
	Input Voltage	120V-277V					
PHYSICAL	Mounting	Adjustable (24" max) bar hangers with nails for installation to joists or standard grid ceilings					
	Operating Temperature	-4° F to 113° F					
APPLICATION	Environment	Dry, Damp					
	Insulation	Non-IC, insulation must be kept 3" from all sides of the housing					
	Warranty	5 Year					

Lighting layouts and spacing criteria available upon request

SPECIFICATIONS:

		RCF83030W	RCF83040W	RCF83440W	RCF83430W
ITEM	SPECIFICATION	30 WATTS - DETAILS		34 WATTS - DETAILS	
GENERAL PERFORMANCE	Color Temperature	3000K	4000K	3000K	4000K
	Lumens Delivered (lm)	2220	2510	1950	2145
	Efficacy (lm/w)	74	84	57	63
	Lumen Maintenance (L70)	50,000 hours			
ELECTRICAL	Power Consumption	30 Watts		34 Watts	
	Power Factor	>0.9			
	Input Voltage	120V-277V			
PHYSICAL	Mounting	Adjustable (24" max) bar hangers with nails for installation to joists or standard grid ceilings			
	Operating Temperature	-4 F to 113 F			
APPLICATION	Environment	Dry, Damp			
	Insulation	Non-IC, insulation must be kept 3" from all sides of the housing			
	Warranty	5 Year			

Lighting layouts and spacing criteria available upon request

ORDERING:

ORDER CODE	MODEL	OPTIONS	OUTPUT (LUMENS)	CCT
73685	RCF81530W	15W LED 8" COMMERCIAL RECESSED DOWNLIGHT FIXTURE 3000K	840	3000K
73686	RCF81540W	15W LED 8" COMMERCIAL RECESSED DOWNLIGHT FIXTURE 4000K	920	4000K
74362	RCF82330W	23W LED 8" RECESSED COMMERCIAL DOWNLIGHT FIXTURE 3000K	1670	3000K
74363	RCF82340W	23W LED 8" RECESSED COMMERCIAL DOWNLIGHT FIXTURE 4000K	1750	4000K
73418	RCF82630W	26W LED 8" COMMERCIAL RECESSED DOWNLIGHT FIXTURE 3000K	1500	3000K
73420	RCF82640W	26W LED 8" COMMERCIAL RECESSED DOWNLIGHT FIXTURE 4000K	1645	4000K
74390	RCF83030W	30W LED 8" RECESSED COMMERCIAL DOWNLIGHT FIXTURE 3000K	2220	3000K
74391	RCF83040W	30W LED 8" RECESSED COMMERCIAL DOWNLIGHT FIXTURE 4000K	2510	4000K
73422	RCF83430W	34W LED 8" COMMERCIAL RECESSED DOWNLIGHT FIXTURE 3000K	1950	3000K
73424	RCF83440W	34W LED 8 COMMERCIAL RECESSED DOWNLIGHT FIXTURE 4000K	2145	4000K

COMPATIBLE DIMMERS:

MAKE	DIMMER MODEL
Lutron	CTCL-153PD*
Lutron	DVCL-153PL*
Lutron	CTELV-303P
Lutron	DVELV-303P
Lutron	LGCL-153PL*
Leviton	IPI10 Leviton

* Dimming control should be adjusted to 5% minimum light output level in order to avoid flickering. Please consult dimming control instruction manual for specific procedure.