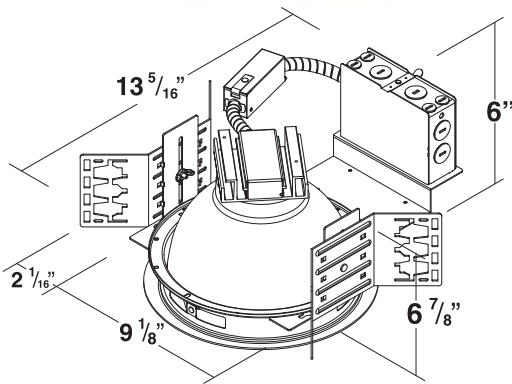


**LED 8" ARCHITECTURAL RECESSED
DOWNLIGHT FIXTURE**
RAF8 Series



PRODUCT DESCRIPTION:

MaxLite's NON-IC architectural recessed downlight fixtures are a great alternative to HID, fluorescent, and traditional incandescent fixtures. Recommended for buildings where superior quality of light, flexible installation options, and durability are required.

FEATURES:

- Unique optic allows high lumen transmission while concealing the LED light source resulting in efficient, inviting light and minimizing LED glare
- Architectural housing can accommodate 1/2" EMT conduit, HB24 or HBC-24 bar hanger, lathing channels, T-Bar grid ceilings or concealed spline ceilings
- Architectural fixture provides up to 5" vertical adjustment.
- Junction box listed for through branch circuit wiring (Max. 8 no.12AWG 90C conductors, 4 in and 4 out)
- Suitable for damp location use
- Dimmable down to 5% (120v only)
- Five year warranty

ELECTRICAL:

- Universal voltage, driver can be supplied with 120V-277V
- LED array will provide minimum 50,000 hour L₇₀ lifetime

MODEL SELECTION (Full list of order codes on pg. 3)		Typical order example: RAF81530W		
RAF	8			W
FAMILY	SIZE	WATTAGE	COLOR TEMPERATURE (CTT)	TRIM COLOR
RAF= Architectural Recessed Frame	8= 8" Nominal diameter reflector	15= 15 watts *23= 23 watts 26= 26 watts *30= 30 watts 34= 34 watts	30= 3000K 40= 4000K	W= White

ACCESSORIES			
ORDER CODE	MODEL NUMBER	DESCRIPTION	ACCESSORIES IMAGE
73716	MLRR-HBAR	Hanger Bar Kit for Joists and T-Grid Ceilings	
74088	RR8-BNRING	8" Brushed Nickel Trim Ring	

NOTES:

- * 26W & 30W models are not ENERGY STAR qualified

LED 8" ARCHITECTURAL RECESSED DOWNLIGHT FIXTURE

RAF8 Series

SPECIFICATIONS:

		RAF81530W	RAF81540W	RAF82330W	RAF82340W	RAF82630W	RAF82640W
ITEM	SPECIFICATION	14 WATTS - DETAILS		23 WATTS - DETAILS		26 WATTS - DETAILS	
GENERAL PERFORMANCE	Color Temperature	3000K	4000K	3000K	4000K	3000K	4000K
	Lumens Delivered (lm)	840	920	1670	1750	1500	1645
	Efficacy (lm/w)	60	65	73	76	58	63
	Lumen Maintenance (L70)	50,000 hours					
ELECTRICAL	Power Consumption	14 Watts		23 Watts		26 Watts	
	Power Factor	>0.9					
	Input Voltage	120V-277V					
PHYSICAL	Mounting	Concealed Spline, 1/2" EMT Conduit, 'C' Channel, T Grid (order 24" adjustable hanger bars MLRR-HBAR)					
	Operating Temperature	-4° F to 113° F					
APPLICATION	Environment	Dry, Damp					
	Insulation	Non-IC, insulation must be kept 3" from all sides of the housing					
	Warranty	5 Year					

SPECIFICATIONS CON'T:

		RAF83030W	RAF83040W	RAF83430W	RAF83440W
ITEM	SPECIFICATION	30 WATTS - DETAILS		34 WATTS - DETAILS	
GENERAL PERFORMANCE	Color Temperature	3000K	4000K	3000K	4000K
	Lumens Delivered (lm)	2220	2510	1950	2145
	Efficacy (lm/w)	74	84	57	63
	Lumen Maintenance (L70)	50,000 hours			
ELECTRICAL	Power Consumption	30 Watts		34 Watts	
	Power Factor	>0.9			
	Input Voltage	120V-277V			
PHYSICAL	Mounting	Concealed Spline, 1/2" EMT Conduit, 'C' Channel, T Grid (order 24" adjustable hanger bars MLRR-HBAR)			
	Operating Temperature	-4° F to 113° F			
APPLICATION	Environment	Dry, Damp			
	Insulation	Non-IC, insulation must be kept 3" from all sides of the housing			
	Warranty	5 Year			

ORDERING:*

ORDER CODE	MODEL	OUTPUT (LUMENS)	CCT	POWER (WATTS)
73683	RAF81530W	840	3000K	14
73684	RAF81540W	920	4000K	
74380	RAF82330W	1670	3000K	23
74381	RAF82340W	1750	4000K	
73419	RAF82630W	1,400	3000K	26
73421	RAF82640W	1,575	4000K	
74382	RAF83030W	2220	3000K	30
74383	RAF83040W	2510	4000K	
73423	RAF83430W	1,995	3000K	34
73425	RAF83440W	2,140	4000K	

COMPATIBLE DIMMERS:

MAKE	DIMMER MODEL
Lutron	CTCL-153PD*
Lutron	DVCL-153PL*
Lutron	CTELV-303P
Lutron	DVELV-303P
Lutron	LGCL-153PL*
Leviton	IPI10 Leviton

* Dimming control should be adjusted to 5% minimum light output level in order to avoid flickering. Please consult dimming control instruction manual for specific procedure.