

120V LED ADVANTAGE 5/6" Retrofit Downlight

PROJECT: TYPE:

LOCATION: CAT:



White

Description

Versatile, dimmable, and affordable LED Advantage recessed downlights are available in white with either a static lens for 5" and 6" cans (also available as Title 24 compliant model) or a swivel (gimbal) version (for 6" recessed cans only).

Features

- Durable and glare-free frosted polycarbonate lens
- Easy installation with spring loaded torsion clips
- Includes standard E26 socket connection (CD56 includes GU-24 connection)
- cETLus Listed and ENERGY STAR Certified

Mounting

AD56 Retrofit: Adjustable spring loaded torsion clips fit most 5" or 6" Type IC rated cans (requires 3-5/16" clearance) with E26 sockets

AD6S Retrofit: Spring loaded torsion clips fit most 6" Type IC rated cans (requires 2-7/8" clearance) with E26 sockets

CD56 Retrofit: Adjustable spring loaded torsion clips fit most 5" or 6" Type IC rated cans (requires 3-5/16" clearance) with GU-24 sockets

Applications

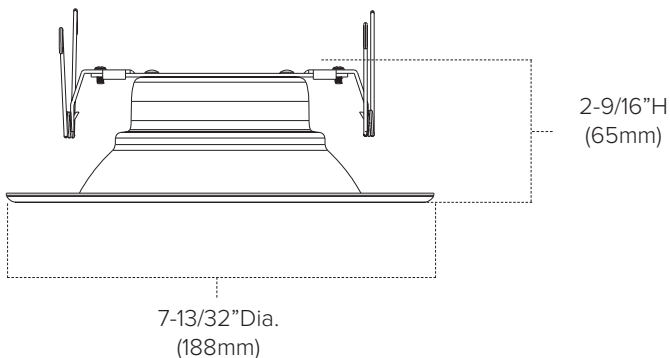
General Lighting LED Retrofit



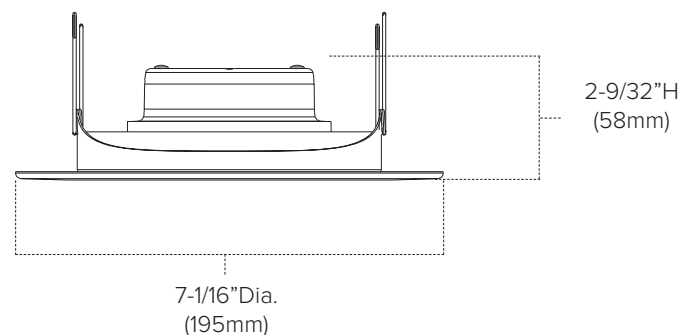
Technical Information

Voltage	120V AC, 60Hz		
CCT	3000K		
Series	AD56-30-WH	AD6S-30-WH	CD56-30-WH
Finish	White		
Lumens	900	800	900
Wattage	15	12	15
CRI	90+		
Inset	Smooth	Adjustable Swivel; Smooth	Smooth
Connection	E26 Edison	E26 Edison	GU-24
Beam Angle	86°	90°	87°
Dimming	10-100% with most standard TRIAC dimmers		
Rating	ENERGY STAR; cETLus Listed; Wet location	ENERGY STAR; cETLus Listed; Damp location	ENERGY STAR; cETLus Listed; Wet location; Title 24
Rated Life	50,000 Hours		

AD56 and CD56



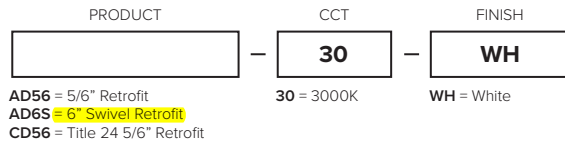
AD6S



120V | LED ADVANTAGE 5/6" Retrofit Downlight

Ordering Information

120V AC, 60Hz Retrofit



AD56 Retrofit Downlights Include:

- (1) 5/6" Retrofit downlight with standard E26 Edison socket connection and adjustable spring loaded torsion clips to fit most standard 5" or 6" housings

AD6S Retrofit Downlights Include:

- (1) 6" Retrofit swivel downlight with standard E26 Edison socket connection and spring loaded torsion clips to fit most standard 6" housings

CD56 Retrofit Downlights Include:

- (1) 5/6" Retrofit downlight with GU-24 connection and spring loaded torsion clips to fit most standard 5" or 6" housings

Example Part # **AD56-30-WH**



Compatible Dimmers

Brand	Model #	Type	Dimming Range	Notes
Lutron® Diva	DVCL-153P	Universal (CFL/LED/Incandescent)	10-100%	
Lutron® Toggler	TGCL-153PH	Universal (CFL/LED/Incandescent)	10-100%	
Lutron® Skylark	SELV-300P	Electronic Low-Voltage (ELV)	10-100%	
Lutron® Diva	DV-600P	Incandescent	10-100%	
Leviton® Sureslide	6674	Universal (CFL/LED/Incandescent)	10-100%	

Dimmer performance may vary in field application due to unknown external factors. Dimmers not included on the chart above are not necessarily incompatible; they have yet to be fully evaluated. Please reference dimmer manufacturer's instructions for more detailed information regarding performance and compatibility.

Additional Information

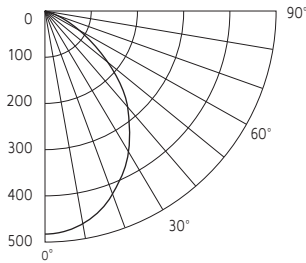
Minimum Height Requirements

Model	Minimum Height Requirement	Location
AD56-30-WH	3-15/16" (80mm)	Dry, damp, or wet location
AD6S-30-WH	2-7/8" (73mm)	Dry or damp location
CD56-30-WH	3-15/16" (80mm)	Dry, damp, or wet location

Photometrics

PHOTOMETRIC DATA: AD56-30-WH

Photometric Diagram



AD56-30-WH Summary

Test voltage:	120.00V
Luminous flux:	926.3Lm
Input power:	14.41W
Luminous efficacy:	64.28
Power factor:	0.785
Maximum intensity:	478.2cd
Beam angle:	86.4°
Spacing criteria:	0.93

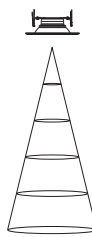
Zonal Lumen Summary

Zone	Lumens	%Fixture
0-30°	346.7	37.4
0-40°	539.6	58.3
0-60°	833.6	90.0
0-90°	926.3	100.0
90-180°	0	0.0
0-180°	926.3	100.0

Candela Distribution

Angle	Average Candelas
0°	478
5°	475
15°	444
25°	385
35°	308
45°	227
55°	134
65°	60
75°	20
85°	9

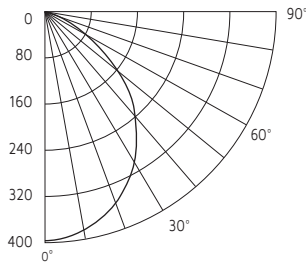
Initial Footcandles



Distance to Illuminated Plane	Footcandles (at beam center)	Beam Diameter (feet)
6 feet	13.3	11.3
7 feet	9.8	13.1
8 feet	7.5	15.0
9 feet	5.9	16.9
10 feet	4.8	18.8

PHOTOMETRIC DATA: AD6S-30-WH

Photometric Diagram



AD6S-30-WH Summary

Test voltage:	120.04V
Luminous flux:	835.9Lm
Input power:	11.84W
Luminous efficacy:	63.52
Power factor:	0.777
Maximum intensity:	395.3cd
Beam angle:	91.0°
Spacing criteria:	0.84

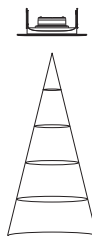
Zonal Lumen Summary

Zone	Lumens	%Fixture
0-30°	294.8	35.3
0-40°	467.0	55.9
0-60°	742.6	88.8
0-90°	835.9	100.0
90-180°	0	0.0
0-180°	835.9	100.0

Candela Distribution

Angle	Average Candelas
0°	395
5°	392
15°	372
25°	332
35°	275
45°	205
55°	130
65°	63
75°	19
85°	8

Initial Footcandles

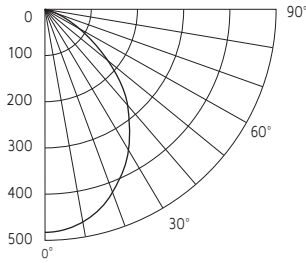


Distance to Illuminated Plane	Footcandles (at beam center)	Beam Diameter (feet)
2 feet	98.8	4.1
4 feet	24.7	8.1
6 feet	11.0	12.2
8 feet	6.2	16.3
10 feet	4.0	20.4

Photometrics Continued...

PHOTOMETRIC DATA: CD56-30-WH

Photometric Diagram



CD56-30-WH Summary

Test voltage:	120.05V
Luminous flux:	918.5Lm
Input power:	14.86W
Luminous efficacy:	61.81
Power factor:	0.900
Maximum intensity:	471.3cd
Beam angle:	87.1°
Spacing criteria:	0.92

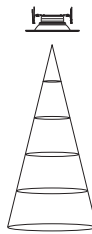
Zonal Lumen Summary

Zone	Lumens	%Fixture
0-30°	340.3	37.1
0-40°	530.2	57.7
0-60°	820.9	89.4
0-90°	918.5	100.0
90-180°	0	0.0
0-180°	918.5	100.0

Candela Distribution

Angle	Average Candelas
0°	471
5°	467
15°	434
25°	377
35°	303
45°	221
55°	134
65°	62
75°	22
85°	10

Initial Footcandles



Distance to Illuminated Plane	Footcandles (at beam center)	Beam Diameter (feet)
6 feet	13.1	11.4
7 feet	9.6	13.3
8 feet	7.4	15.2
9 feet	5.8	17.1
10 feet	4.7	19.0