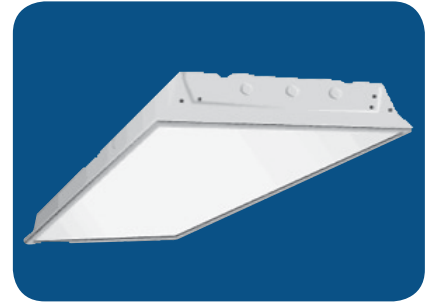


131 2' x 4'

Lensed Static Troffer, Grid Mount



FEATURES & SPECIFICATIONS

INTENDED USE

Specification grade, low profile troffer meets an almost limitless range of applications. Troffer is ideal for all commercial and industrial buildings requiring general illumination with recessed configurations.

SIZE W x L x H in inches (mm)

23.75W x 48.0L x 4.0Dp (600 x 610 x 100)

LAMP

2, 3, or 4 lamp positions.

MATERIALS & FEATURES

Housing is die-formed and embossed code 22 gauge steel. Finish is high reflectance baked white enamel. Wiring knockouts are provided on back and end of housing. Ballast cover or reflector snaps into place; no tools required for ballast access. Lens is held with a hinged steel door frame; frame hinges downward on either side and is held closed by two positive cam latches. Premium, full specular reflectors are available as an option to increase efficiency or modify lighting distribution.

- POST PAINTED POWDER COAT FINISH
- Shallow design for low clearance plenums
- Clear 0.10thk A12 acrylic lens is standard; many options available.
- Flush steel hinges from either side; field reversible.
- Access plate to simplify installation

MOUNTING

Recessed inverted T-Bar ceilings. Grid mount.

LISTING

Fixture & Ballast: UL Listed.

Ballast: Thermally protected, class P, HPF, Non PCB

TYPICAL OPTIONS AND ACCESSORIES

Emergency ballasts, whips, regressed doors, wire guards, frame kits, and lenses. See options page at the end of the T02Grid section, or contact factory for more details.

***See HB131 Series for 6 lamp conversion**

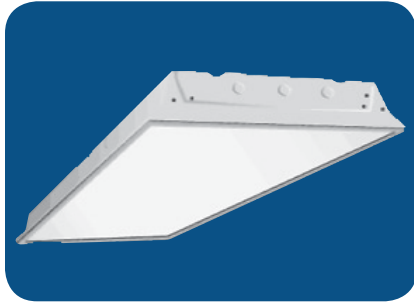
ORDERING INFORMATION

Example: 131 A 432 MV

131	A	4	32	MV
Series		Lamp Count	Lamp Type [1]	Ballast & Voltage [1]
131 Lensed Static Troffer, Grid Mount		2, 3, or 4 Lamps Not included	40 48 in. T12 [7] 32 48 in. T8 28 46 in. T5 54 46 in. T5HO	MV Electronic, Multivolt (120-277) HMV [4] Electronic, Multivolt, Hi-Lume LMV [4] Electronic, Multivolt, Lo-Lume GMV [5] Line or 0-10V dimming, Multivolt X1 Wired for single ended LED T8 lamps X2 Wired for double ended LED T8 lamps XX No sockets, ballasts or wiring
Function				
(blank) Static R Air Return				
Lens Material [2]				
A Prismatic Acrylic #12 Pattern A125 Prismatic Acrylic #12 Pattern 1/8" MW Matte White Acrylic SP1 Specular Parabolic Louver 1/2" x 1/2" x 3/8" SP4 Specular Parabolic Louver 3/4" x 3/4" x 1/2" SP2 Specular Parabolic Louver 1 1/2" x 1 1/2" x 1" PLA White Cubed Acrylic Louver 1/2" x 1/2" x 3/8"				
Reflector [3]				
(blank) no reflector [3] M20 Mirrored reflector				
Options [8]				
RA Regressed aluminum door, white RAB Regressed aluminum door, black WP 6 ft. 3 wire 18 gauge whip WP10 6 ft. 4 wire 18 gauge whip EM Emergency ballast, 500 lumens EM14 Emergency ballast, 1400 lumens GK1 Single Gasketed Door - Single (lens to door frame) GK2 Double Gasketed Door - (lens.frame + frame to troffer) GK3 Triple Gasketed (lens/frame + frame/troffer to T-bar grid) LN15W35 Single ended 15W 1800 Lumen 3500K* Included LN18W35 Single ended 18W 2100 Lumen 3500K* Included				
<p>Notes</p> <p>[1] See end of T02Grid for many additional lamps, ballasts, finishes, and options. [2] Many additional lens materials are available. Contact factory for additional information. [3] Custom reflectors available to create any light distribution. [4] HiLume and LoLume ballasts available for T8 lamps only. [5] Line dimming ballasts available for T8 & T5HO lamps only. [6] Magnetic ballasts available for T8 & T12 only. [7] Magnetic & electronic T12 ballasts drive a 34W energy saver lamp. [8] EM for T5, T5HO requires T5 emergencies</p>				
* Change 35 to 40 or 50 for 4000K or 5000K				

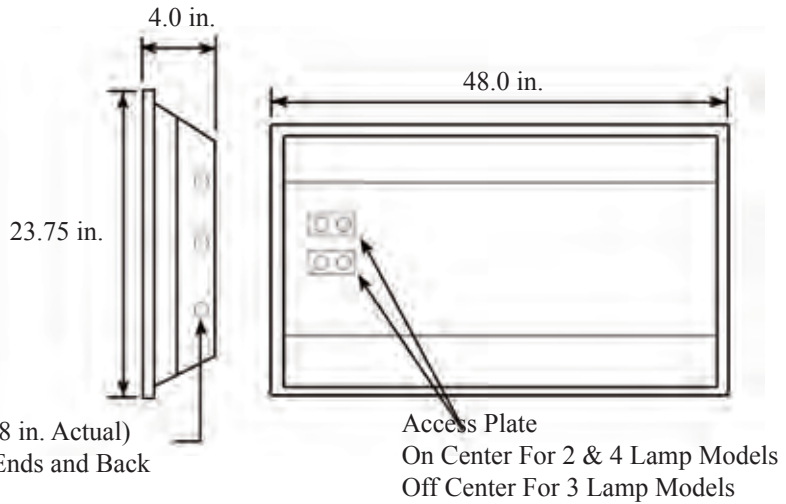
131 2' x 4'

Lensed Static Troffer, Grid Mount



DIMENSIONS

All dimensions are inches. Specifications subject to change without notice.



1/2' Nom. (0.88 in. Actual)
EKO In Both Ends and Back

PHOTOMETRICS

Calculated using the zonal cavity method in accordance with IESNA LM41 procedure. Lamp configurations shown are typical. Photometric data on these and other configurations available upon request.

Floor	20%	20%	20%	20%	20%	20%	20%	20%	20%
Ceiling	80%	80%	80%	70%	70%	70%	50%	50%	50%
Wall	70%	50%	30%	70%	50%	30%	50%	30%	10%
RCR	Zonal cavity coefficients			131A232		Spacing ratio.		Along 1.2	Across 1.3
0	1.00	1.00	1.00	0.98	0.97	0.97	0.92	0.93	0.92
1	0.92	0.88	0.84	0.90	0.86	0.83	0.88	0.80	0.78
2	0.85	0.78	0.72	0.83	0.76	0.71	0.73	0.69	0.65
3	0.78	0.69	0.62	0.76	0.68	0.61	0.65	0.60	0.56
4	0.72	0.62	0.54	0.70	0.61	0.54	0.59	0.53	0.48
5	0.66	0.55	0.48	0.64	0.54	0.47	0.53	0.47	0.42
6	0.61	0.50	0.42	0.60	0.49	0.42	0.48	0.41	0.37
7	0.57	0.45	0.38	0.56	0.45	0.38	0.44	0.37	0.33
8	0.53	0.42	0.35	0.52	0.41	0.34	0.40	0.34	0.30
9	0.50	0.38	0.31	0.49	0.38	0.31	0.37	0.31	0.27
10	0.47	0.35	0.29	0.45	0.35	0.29	0.34	0.28	0.24

Floor	20%	20%	20%	20%	20%	20%	20%	20%	20%
Ceiling	80%	80%	80%	70%	70%	70%	50%	50%	50%
Wall	70%	50%	30%	70%	50%	30%	50%	30%	10%
RCR	Zonal cavity coefficients			131A332		Spacing ratio.		Along 1.2	Across 1.3
0	0.94	0.94	0.93	0.92	0.91	0.91	0.87	0.87	0.87
1	0.87	0.83	0.79	0.84	0.81	0.78	0.78	0.75	0.73
2	0.8	0.73	0.68	0.78	0.72	0.67	0.69	0.65	0.61
3	0.73	0.65	0.58	0.71	0.64	0.58	0.61	0.56	0.52
4	0.68	0.58	0.51	0.66	0.57	0.51	0.55	0.5	0.45
5	0.62	0.52	0.45	0.61	0.51	0.45	0.5	0.44	0.4
6	0.58	0.47	0.4	0.56	0.46	0.4	0.45	0.39	0.35
7	0.54	0.43	0.36	0.52	0.42	0.36	0.41	0.35	0.31
8	0.5	0.39	0.33	0.49	0.39	0.32	0.38	0.32	0.28
9	0.47	0.36	0.3	0.46	0.36	0.3	0.35	0.29	0.25
10	0.44	0.33	0.27	0.43	0.33	0.27	0.32	0.27	0.23

Floor	20%	20%	20%	20%	20%	20%	20%	20%	20%
Ceiling	80%	80%	80%	70%	70%	70%	50%	50%	50%
Wall	70%	50%	30%	70%	50%	30%	50%	30%	10%
RCR	Zonal cavity coefficients			131A432		Spacing ratio.		Along 1.2	Across 1.3
0	0.95	0.94	0.94	0.93	0.92	0.92	0.88	0.88	0.87
1	0.87	0.83	0.8	0.85	0.82	0.78	0.78	0.76	0.73
2	0.8	0.74	0.68	0.78	0.72	0.67	0.69	0.65	0.62
3	0.74	0.65	0.59	0.72	0.64	0.58	0.62	0.57	0.53
4	0.68	0.59	0.52	0.66	0.57	0.51	0.56	0.5	0.46
5	0.63	0.52	0.45	0.61	0.52	0.45	0.5	0.44	0.4
6	0.58	0.47	0.4	0.56	0.47	0.4	0.45	0.39	0.35
7	0.54	0.43	0.36	0.53	0.42	0.36	0.41	0.35	0.31
8	0.51	0.4	0.33	0.49	0.39	0.33	0.38	0.32	0.28
9	0.47	0.36	0.3	0.46	0.36	0.3	0.35	0.29	0.25
10	0.44	0.33	0.27	0.43	0.33	0.27	0.32	0.27	0.23

Floor	20%	20%	20%	20%	20%	20%	20%	20%	20%
Ceiling	80%	80%	80%	70%	70%	70%	50%	50%	50%
Wall	70%	50%	30%	70%	50%	30%	50%	30%	10%
RCR	Zonal cavity coefficients			131A232M20		Spacing ratio.		Along 1.2	Across 1.2
0	1.04	1.03	1.02	1.01	1.01	1.00	0.96	0.96	0.95
1	0.96	0.92	0.88	0.93	0.90	0.86	0.86	0.83	0.81
2	0.88	0.81	0.76	0.86	0.80	0.74	0.77	0.72	0.69
3	0.81	0.72	0.66	0.79	0.71	0.65	0.69	0.63	0.59
4	0.75	0.65	0.58	0.73	0.64	0.57	0.62	0.56	0.52
5	0.70	0.59	0.51	0.68	0.58	0.51	0.56	0.50	0.45
6	0.65	0.53	0.46	0.63	0.52	0.45	0.51	0.45	0.40
7	0.60	0.49	0.41	0.59	0.48	0.41	0.47	0.40	0.36
8	0.56	0.45	0.38	0.55	0.44	0.37	0.43	0.37	0.33
9	0.53	0.41	0.34	0.52	0.41	0.34	0.40	0.34	0.29
10	0.49	0.38	0.31	0.48	0.38	0.31	0.37	0.31	0.27