

# SMOKE ALARM

10-YEAR SEALED PHOTO & ION

CAT. **SA3210**



## 10-YEAR LITHIUM POWER

10 years of continuous protection under normal operating conditions. No battery change required. Provides audible notice when alarm has reached its end of life.

## TAMPERPROOF SEALED ALARM

Powercell cannot be removed.

## PHOTO/ION SENSORS

Dual Photoelectric & Ionization sensing technologies for optimal sensing of smoke particles produced in both flaming and smoldering fires.

## SILENCE FEATURE

Silences nuisance alarms.

## TAMPER RESISTANT

Locks alarm to mounting bracket. Perfect for apartment, dormitory or hotel applications.



# BRK<sup>®</sup>

**THE PROFESSIONAL STANDARD**

## Sealed 3V Lithium Power

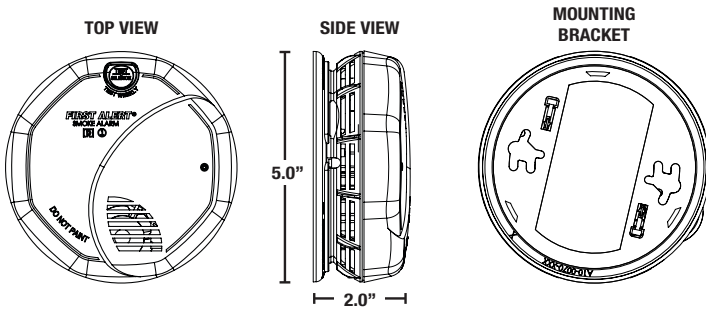
### Description:

The BRK Model No. SA3210 is a sealed 3V lithium power single station photoelectric and ionization dual sensor smoke alarm specifically designed for residential and institutional applications including sleeping rooms of hospitals, hotels, motels, dormitories and other multi-family dwellings as defined in standard NFPA 101. Model SA3210 complies with UL217, CSFM, NFPA 72, HUD, FHA and other agencies that model their codes after the above agencies. It meets building codes where tamperproof 10-year sealed lithium photoelectric and ionization combination smoke alarms are required.

The BRK SA3210 is a state-of-the-art battery powered smoke alarm that features both photoelectric and ionization smoke sensing technologies, a sealed 10-year lithium power cell that is permanently installed, a full function test switch, a silence feature to silence unwanted nuisance alarms, a LED light that indicates DC power or alarm. The low power warning indicator will cause the alarm to "chirp" when it reaches the end of its service life and needs to be replaced. Upon end of life, the unit meets UL requirements for disabling the alarm and non-reinstallation of unit to mounting bracket. It also features a tamper resistant locking pin that locks alarm to the mounting bracket to prevent removal of alarm. Perfect for apartment, dormitory or hotel applications. Designed for wall or ceiling mounting. Includes mounting anchors and screws. Installation is quick, easy and cost effective.



# CAT. SA3210



## ARCHITECTURAL AND ENGINEERING SPEC

The smoke alarm shall be a BRK/First Alert Model SA3210 and shall provide at a minimum the following features and functions:

1. Two separate smoke sensing chambers - photoelectric and ionization.
2. The unit shall be capable of self restoring.
3. A fully screened sensing chambers to resist entry of small insects thereby reducing the probability of unwanted alarms.
4. Powered by a sealed 10-year lithium powercell with a tamperproof design. The tamperproof design shall not allow the powercell to be removed. A low power warning indicator shall cause the alarm to "chirp" when it reaches the end of its service life and needs to be replaced. Upon end of life, the unit shall meet UL requirements for disabling the alarm and the non-reinstallation of unit to mounting bracket.
5. A visual LED power-on indicator to confirm unit is receiving power or is in alarm.
6. A full function test button. The test button should check all alarm functions by stimulating the chamber to simulate a smoke condition, causing the unit to alarm. The unit should also have a silence feature to silence unwanted nuisance alarms.
7. A tamper resistant locking pin that locks alarm to the mounting bracket to prevent removal of alarm.
8. The unit shall be capable of operating between 40°F (4°C) and 100°F (38°C) and relative humidity between 10% and 95%.
9. The unit shall contain mounting hardware and shall be listed for wall or ceiling mounting.
10. The unit shall at a minimum meet the requirements of UL217, CSFM, HUD, NFPA 72, NFPA 101, ICC.

## TECHNICAL SPECS

Alarm Dimensions:	5.0" Dia. x 2.0"H
Weight:	8.4 oz
Operating Voltage:	3V Lithium Power Cell
Temperature Range:	40°F (4°C) to 100°F (38°C)
Humidity Range:	10% to 95% relative humidity (RH)
Audio Alarm:	85dB at 10 feet
Test/Silence:	Electronically simulates smoke condition, causing the unit to alarm. Press and hold test/silence button.
Alarm Reset:	Automatic when smoke clears
Smoke Sensors:	Photoelectric & Ionization
Listing:	Listed to UL217 Standard

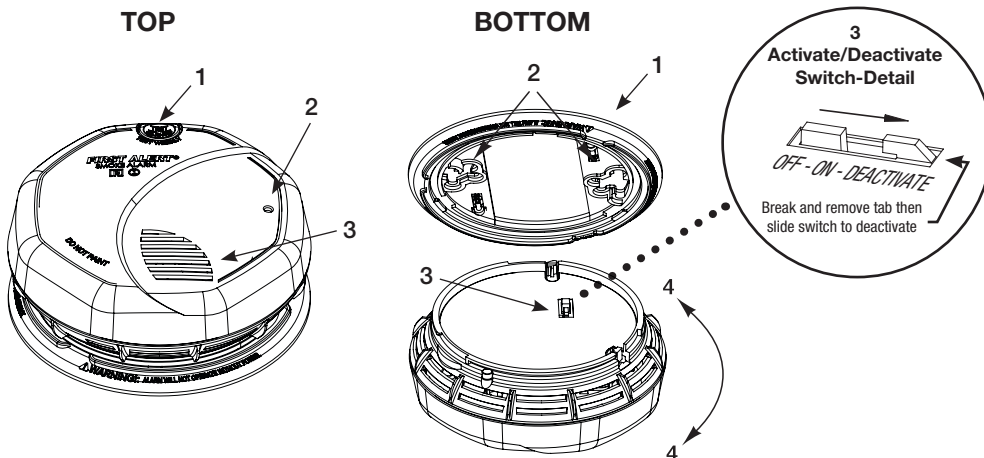
## SHIPPING SPECS

Individual Clamshell Dimensions	6.87"W x 2.5"D x 8.5"H
Weight	0.66 lbs.
Cube	0.08 ft3
UPC	0 29054 01466 5
Master Carton Dimensions	7.75"L x 7.13"W x 9.00"H
Master Pack	3
Weight	2.34 lbs.
Cube:	0.29 ft3
I2of5:	300 29054 01466 6
Pallet Information	
Cases per Layer	30
Number of Layers:	5
Cases per Pallet:	150
Units per Pallet:	450
Cube:	54 ft3
Weight:	416 lbs.

## INSTALLATION OF ALARM

Installation of this alarm must conform to NFPA 72 and NFPA 720. Always check your local building codes. Follow all instructions for placement as outlined in the user's manual in sections titled "Recommended Locations for Smoke Alarms" and "Locations to Avoid for Smoke Alarms".

### THE PARTS OF THIS ALARM



#### TOP OF ALARM

1. Test/Silence button
2. Power/Alarm LED
3. Horn

#### BOTTOM OF ALARM

1. Mounting bracket
2. Mounting Slots & Locking tabs (Break out Tab)
3. Activate/Deactivate Switch
4. Twist to attach and remove alarm from bracket

©2015 BRK Brands, Inc. a Jarden Corporation Company  
(NYSE: JAH)  
All rights reserved

First Alert is a registered trademark of the First Alert Trust  
BRK is a registered trademark of BRK Brands, Inc.  
CM3253