



## Value and versatility defined

A compact LED floodlight designed to deliver maximum illumination while commanding minimal space. The luminaires' diminutive scale allows them to be effortlessly concealed throughout a site — dramatically accentuating key features while going virtually unnoticed. Available with spot and flood optics, **the luminaires are ideal for an array of commercial and outdoor applications, including landscape, structural accent and flag pole lighting.**



OLB LED replaces up to **90-100W Halogen**



# Value and versatility defined

www.lithonia.com

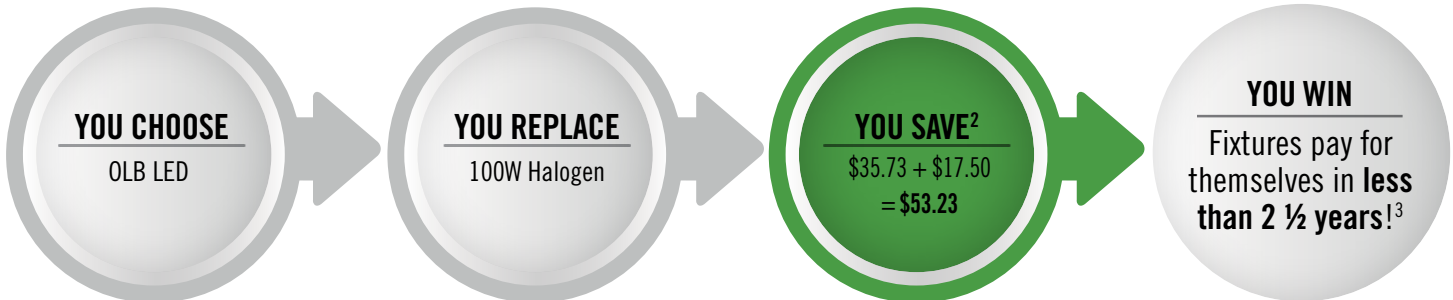
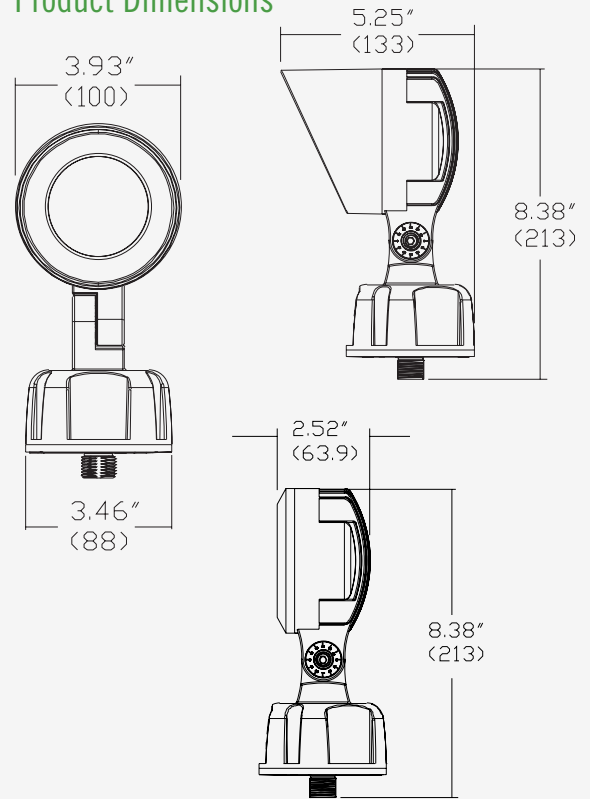


Mounts to junction box cover or slip fitter.

- Up to **839 lumens** with only 11 watts for up to **76 lumens per watt**
- 100,000 hour LED life<sup>1</sup>
- **2 x 2 spot optics** for maximum illumination of smaller targets at distances of up to 50 feet.
- **5 x 4 flood optics** for general illumination of larger areas.
- Available in warm 3000K and cool 5000K color temperatures.
- IP65 rated housing protects LEDs and driver from the elements.

<sup>1</sup> LED lifespan based on IESNA LM-80-08 results and calculated per IESNA TM-21-11 methodology.

## Product Dimensions



<sup>2</sup> Annual Energy + Annual Lamp Replacement Cost = Total Annual Savings

<sup>3</sup> Based on 12 hours operation per day and energy costs of \$.11 per kWh

### ORDERING INFORMATION

Example: OLBF 8 30K DDB

Series		Light Engine	Color Temperature		Voltage	Finish
<b>OLBF LED</b>	5x4 Flood Optics	8 4 LEDs	30K	3000K	(blank) MVOLT	<b>DDB</b> Dark Bronze
<b>OLBS LED</b>	2x2 Flood Spot		50K	5000K		

