


**ALUMINUM
R SERIES**

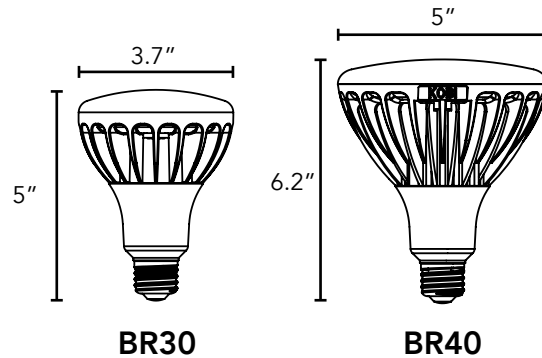
R20 BR30 BR40

BENEFITS

- Up to 82% more efficient than incandescent equivalent
- Longer life and lower maintenance costs
- Dimmable when used with approved dimming switch
- Mercury and Lead free, as well as UV and IR free
- Instant on to full brightness

SPECIFICATIONS

EQUIVALENT	45 to 205 Watt Incandescent
AVERAGE RATED LIFE	25,000 hrs
HOUSING	Aluminum, Plastic
BASE	Medium (E26)
POWER	120V
LENS	Frosted Polycarbonate
COLOR (K)	2700, 3000, 4000, 5000


DIMMER COMPATIBILITY*

Lutron: MACL-153M, LGCL-153PLH, TAL06P-C1-K-L, TGCL-153PH, AYCL-153P, DVCL-153P, DVSCCL-153P, SCL-153P, MSCL-OP153M, CTCL-153P, TTCL-100, SELV-300P, DVELV-300P **Cooper:** ASPIRE-9573, DEVINE-DLC03P, SKYE-SLC03P, SAL06P, AAL06-C1-K-L, DAL06P-C1-K-L

*The listed dimmers have been tested and proven to work under limited laboratory conditions. All possible electrical conditions cannot be accurately simulated, and therefore some discrepancy may exist.

APPLICATION INFORMATION

Applications	Market Segments
- Track Lighting	- Residential
- Recessed Can	- Hospitality
- Display Lights	- Office
	- Retail

Application Notes

1. Operating temperature range between -20°C and +45°C (-4°F and +113°F)
2. Not for use with emergency light fixtures or exit lights
3. Not for use in totally enclosed fixture
4. Suitable for indoor/damp locations and sheltered outdoor use

This device complies with Part 15 of the FCC rules and has been tested and found to comply with the limits for a Class B digital device. These limits are designed to provide reasonable protection against harmful interference in a residential installation. This equipment uses and can radiate radio frequency energy and, if not installed and used in accordance with the instructions, may cause harmful interference to radio communications. Any changes or modifications not expressly approved by the manufacturer could void the user's authority to operate the equipment.

CERTIFICATIONS


LM79 reports are available upon request.



Based on 12 hours of use per day.

ORDERING INFORMATION

BR30

Order Code	Part Number	Wattage (W)	Base	Body	Equivalent (W)	Voltage (V)	CCT ¹	Typical Lumens ²	CRI ³	Dim	Beam	Weight (lbs)	Case Quantity	ENERGY STAR [®]
K1M6	R30-85-30	16	E26	Diecast	85W BR30	120	3000K	1150	>80	Yes	110°	0.6	18	Yes
K1M7	R30-85-40	16	E26	Diecast	85W BR30	120	4000K	1150	>80	Yes	110°	0.6	18	Yes
K1M8	R30-85-50	16	E26	Diecast	85W BR30	120	5000K	1150	>80	Yes	110°	0.6	18	Yes

BR40

Order Code	Part Number	Wattage (W)	Base	Body	Equivalent (W)	Voltage (V)	CCT ¹	Typical Lumens ²	CRI ³	Dim	Beam	Weight (lbs)	Case Quantity	ENERGY STAR [®]
K2M2	R40-85-30	16	E26	Diecast	85W BR40	120	3000K	1150	>80	YES	110°	1.10	18	YES
K2M3	R40-85-40	16	E26	Diecast	85W BR40	120	4000K	1150	>80	YES	110°	1.10	18	YES
K2M4	R40-85-50	16	E26	Diecast	85W BR40	120	5000K	1150	>80	YES	110°	1.10	18	YES
K4L7	LED-1600-R40-27	25	E26	Diecast	100W BR40	120	2700K	1955	>80	YES	110°	1.10	18	NO
K2M5	R40-120-30	20	E26	Diecast	120W BR40	120	3000K	1750	>80	YES	110°	1.10	18	YES
K2M6	R40-120-40	20	E26	Diecast	120W BR40	120	4000K	1750	>80	YES	110°	1.10	18	YES
K2M7	R40-120-50	20	E26	Diecast	120W BR40	120	5000K	1750	>80	YES	110°	1.10	18	YES
K2M8	R40-175-30	30	E26	Diecast	175W BR40	120	3000K	2650	>80	YES	110°	1.10	18	YES
K2M9	R40-175-40	30	E26	Diecast	175W BR40	120	4000K	2650	>80	YES	110°	1.10	18	YES
K3M0	R40-175-50	30	E26	Diecast	175W BR40	120	5000K	2650	>80	YES	110°	1.10	18	YES
K3M1	R40-205-30	52	E26	Diecast	205W BR40	120	3000K	5300	>80	YES	110°	1.80	18	YES
K3M2	R40-205-40	52	E26	Diecast	205W BR40	120	4000K	5300	>80	YES	110°	1.80	18	YES
K3M3	R40-205-50	52	E26	Diecast	205W BR40	120	5000K	5300	>80	YES	110°	1.80	18	YES

1. Thermally stable typical CCT (±10%) 2. Thermally stable typical lumens (±10%) 3. CRI - Color Rendering Index