

# LED STEALTH™

## WITH DIMMING & OCCUPANCY SENSOR

### INSTALL INSTRUCTIONS

#### WARNING

**PLEASE FIND A QUALIFIED ELECTRICIAN FOR INSTALLATION.** Please read the instructions before you install and use the luminaire.

#### WARNING, CAUTIONS AND OPERATING INSTRUCTIONS

- To reduce the risk of death, personal injury or property damage from fire, electric shock, falling parts, cuts/abrasions, and other hazards read all warnings and instructions included with and on the fixture box and all fixture labels.
- Before installing, servicing, or performing routine maintenance upon this equipment, follow these general precautions.
- Commercial installation, service and maintenance of luminaires should be performed by a qualified licensed electrician.
- For The installation: If you are unsure about the installation or maintenance of the luminaires, consult a qualified licensed electrician and check your local electrical code.
- To prevent wiring damage or abrasion, do not expose wiring to edges of sheet metal or other sharp objects.
- Do not make or alter any open holes in an enclosure of wiring or electrical components during kit installation.
- Do not cover any part of the fixture; this can cause overheating.
- Do not use in areas that are not properly ventilated from strong fumes.

#### WARNING: RISK OF FIRE OR ELECTRICAL SHOCK

- Turn off electrical power at fuse or circuit breaker box before wiring fixture to the power supply.
- Turn off the power when you perform any maintenance.
- Verify that supply voltage is correct by comparing it with the luminaire label information.
- Make all electrical and grounded connections in accordance with the National Electrical Code and any applicable local code requirements.
- All wiring connections should be capped with UL approved wire connectors.

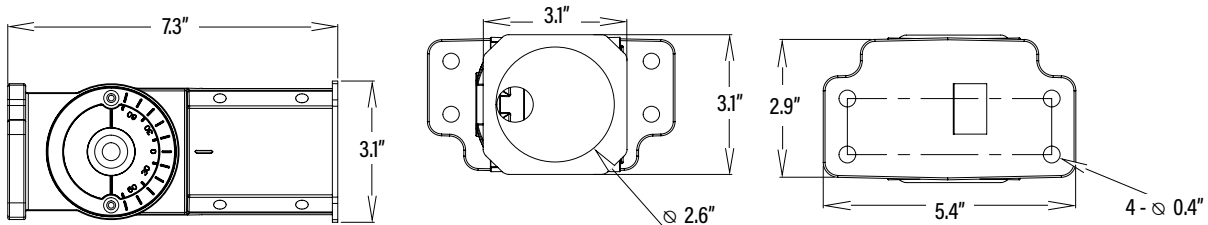
#### CAUTION: RISK OF INJURY

- Avoid direct eye exposure to the light source while it is on.
- Account for small parts and destroy packing material, as these may be hazardous to children.
- Suitable for Wet locations, IP65.

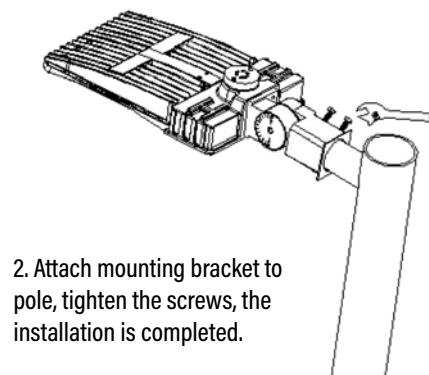
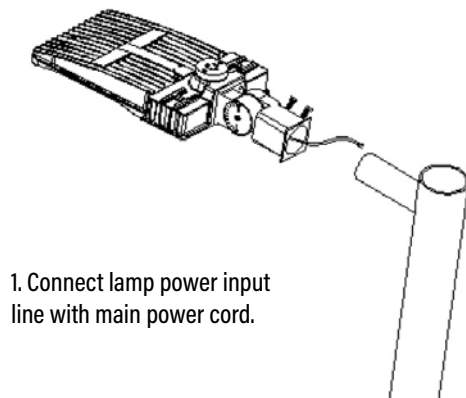
#### INSTALLATION



#### SLIP FITTER DIMENSIONS



#### SLIP FITTER MOUNTING



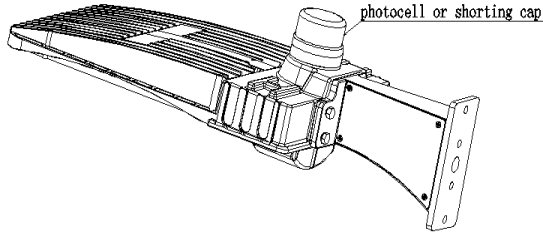
# LED STEALTH™

## WITH DIMMING & OCCUPANCY SENSOR

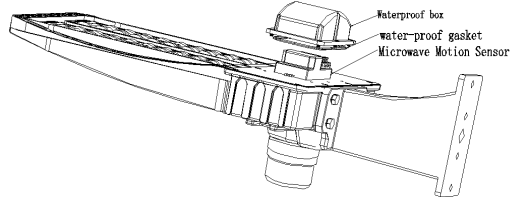
### INSTALL INSTRUCTIONS

#### DIMMING AND SENSOR

1. Check to see if the work voltage of microwave sensor, photocell and shorting cap conforms with the input voltage, then turn on to test the microwave sensor.

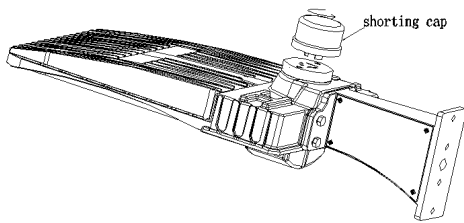


2. If it didn't work, open the waterproof box and set the microwave sensor to work, lock the box after completed. (Attention put in the water-proof gasket before lock).

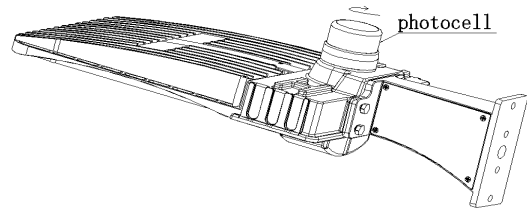


*Replace shorting Cap with microwave sensor by Photocell with microwave sensor*

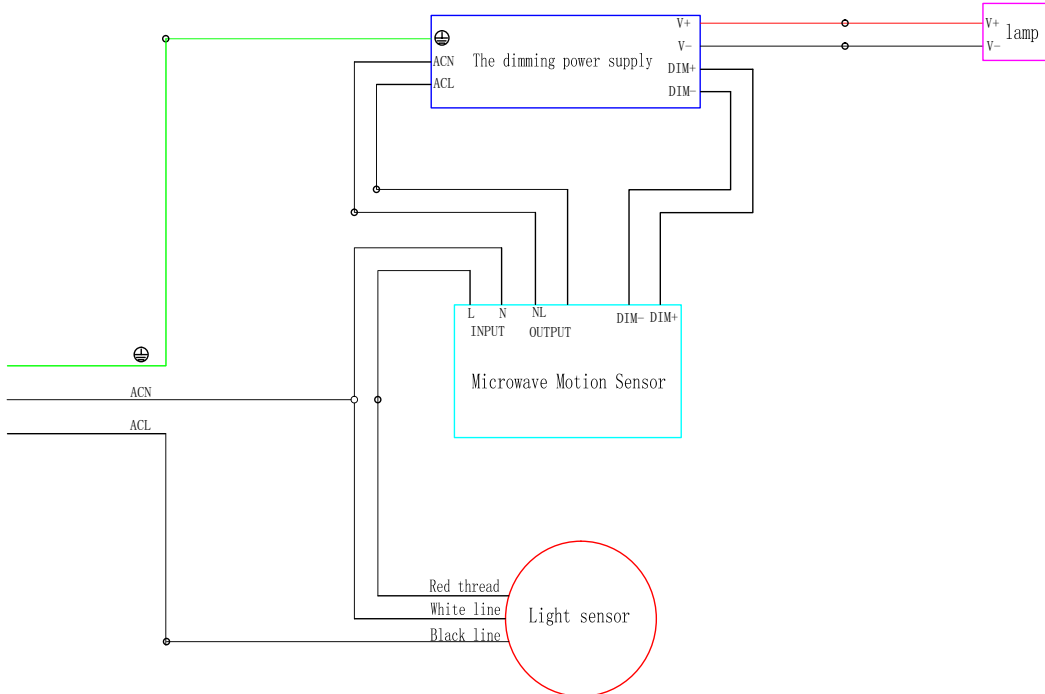
1. Check to see if the work voltage of microwave sensor, photocell and shorting cap conforms with the input voltage, then take off the shorting cap.



2. Connect the photocell with the base.



#### WIRING DIAGRAM



# LED STEALTH™

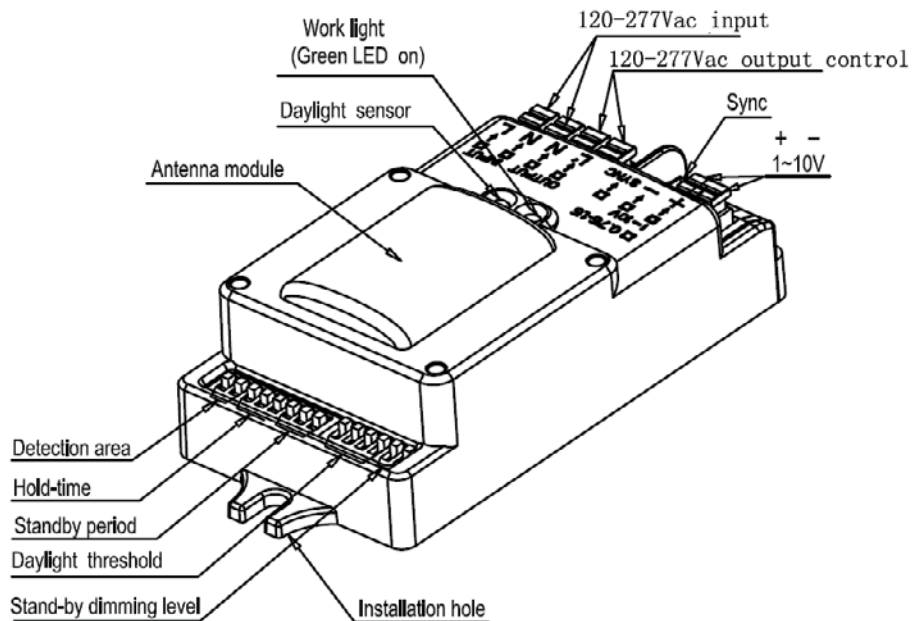
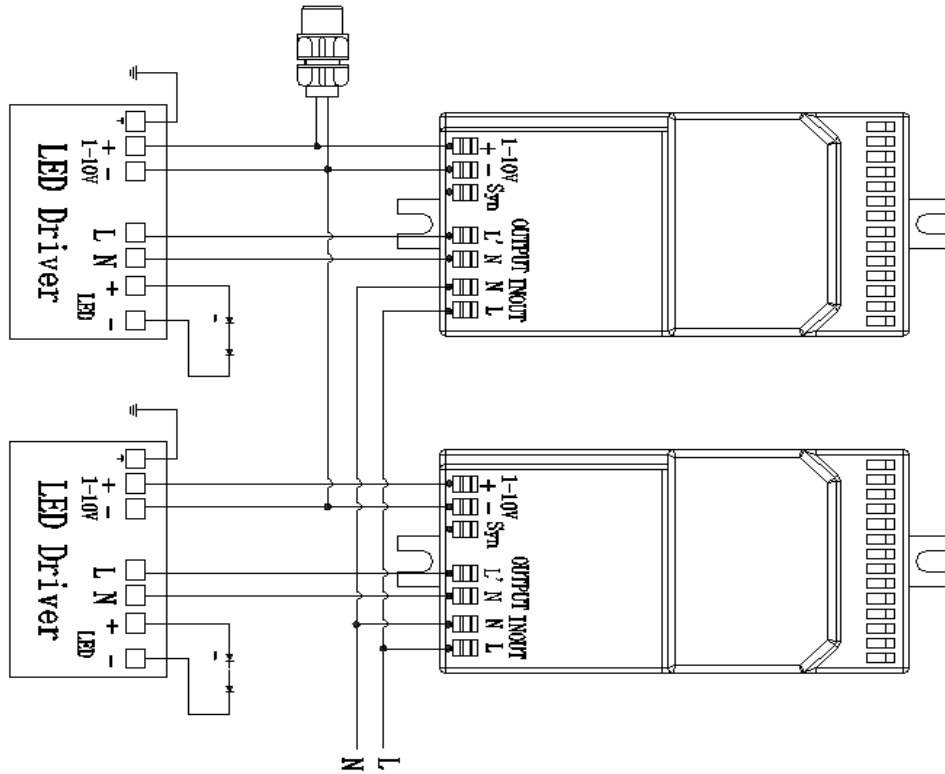
## WITH DIMMING & OCCUPANCY SENSOR

### INSTALL INSTRUCTIONS

#### DIMMING AND SENSOR

#### OCCUPANCY SENSOR WIRING DIAGRAM

Detection zone (Max): 52.5 ft. x 49.2 ft.





# LED STEALTH™


## WITH DIMMING & OCCUPANCY SENSOR


### INSTALL INSTRUCTIONS


#### DIMMING AND SENSOR

		1	2	
	I	ON	ON	100%
	II	ON	--	75%
	III	--	ON	50%
	IV	--	--	10%

		3	4	5	
	I	ON	ON	ON	5s
	II	--	ON	ON	30s
	III	ON	--	ON	90s
	IV	--	--	ON	3m.
	V	ON	ON	--	20m.
	VI	--	--		30m.

		6	7	8	
	I	ON	ON	ON	0s
	II	--	ON	ON	5s
	III	ON	--	ON	5m.
	IV	--	--	ON	10m.
	V	ON	ON	--	30m.
	VI	--	ON	--	1h.
	VII	--	--	--	+∞

		1	2	3	4	
	I	--	--	ON	ON	2lux
	II	--	--	--	ON	5lux
	III	--	ON	ON	--	10lux
	IV	--	--	ON	--	25lux
	V	--	ON	--	-	50lux
	VI	ON	--	--	--	100lux
	VII	--	--	--	--	DISABLE

		5	6	
	I	ON	ON	50%
	II	--	ON	30%
	III	ON	--	20%
	IV	--	--	10%

#### OCCUPANCY SENSOR SETTINGS

By selecting the combination on the DIP switches, sensor data can be precisely set for each specific application.

#### DETECTION AREA

Detection area can be reduced by selecting the combination on the DIP switches

#### HOLD TIME

Refers to the time period the lamp remains at 100% illumination after no motion detected.

#### STAND-BY PERIOD

Refers to the period the lamp remains at a low light level before it completely switches off in the long absence of people. When set to "+∞" mode, low light is maintained until motion is detected.

#### DAYLIGHT SENSOR

The sensor can be set to only allow the lamp to illuminate below a defined ambient brightness threshold. When set to disable mode, the daylight sensor will switch on the lamp when motion is detected regardless of ambient light level. 50lux, 30lux; twilight operation, 10lux, 5lux; darkness operation only.

Note: the daylight sensor is active only when the lamp totally switches off.

#### STAND-BY DIMMING LEVEL

The low light level you would like to have after the hold time in the long absence of people.