

SURFACE MOUNT

INSTALL INSTRUCTIONS

WARNING

PLEASE FIND A QUALIFIED ELECTRICIAN FOR INSTALLATION. Please read the instructions before you install and use the luminaire.

WARNING - Risk of fire or electric shock. Installation requires knowledge of luminaires electrical systems. If not qualified, do not attempt installation. Contact a qualified electrician.

WARNING - Risk of fire or electric shock. Install this kit only in construction features and dimensions shown in the photographs and/or drawings.

Do not make or alter any open holes in an enclosure of wiring or electrical components during kit installation

WARNING - To prevent wiring damage or abrasion, do not expose wiring to edges of sheet metal or other sharp objects

Risk of Electric Shock: Disconnect power or circuit breaker before installing or servicing.

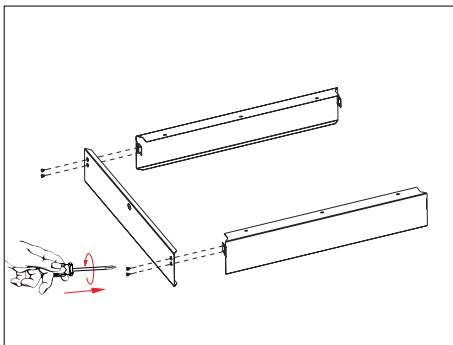
Type IC

Vapor barrier must be suitable for 90°C. Min 90°C supply conductors

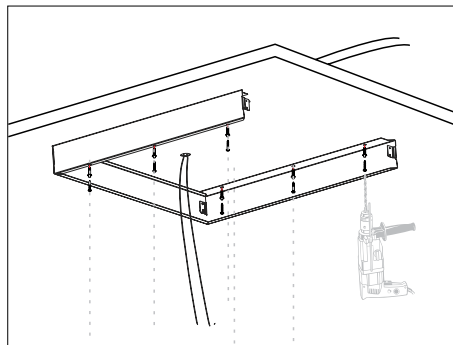
Suitable above ceiling required.

Suitable for damp locations.

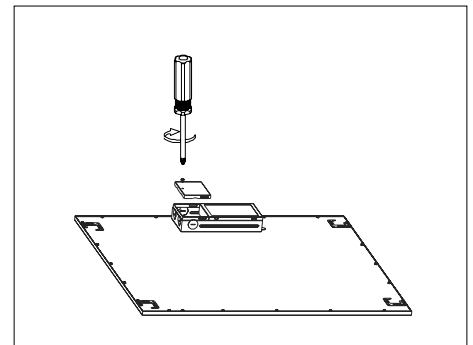
INSTALLATION - SURFACE MOUNT



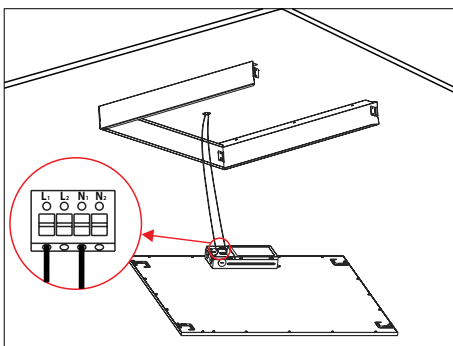
1. Assemble three sides of frame together.



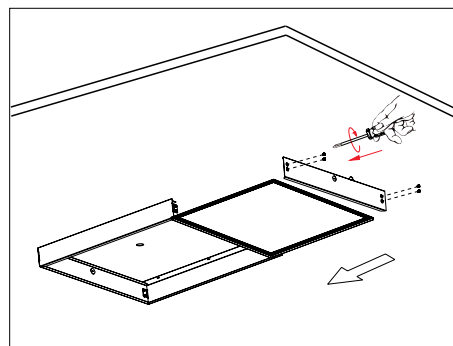
2. (A) Put the driver up on the ceiling and leave its DC wire out of ceiling. (B) Connect driver with AC power and mount the assembled frame onto the ceiling with screws.



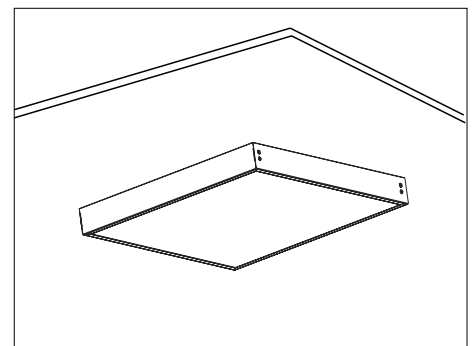
3. Loosen the screw with a screwdriver and remove the wiring board of driver.



4. Connect the panel to the driver with quick connector.



5. Slide the panel into the frame. Close the frame with the last side piece using the screws.



6. Installation complete.