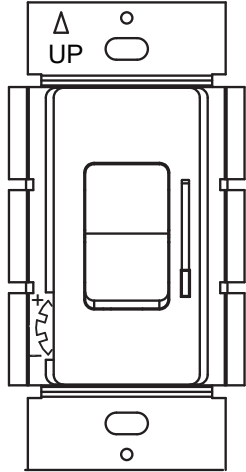


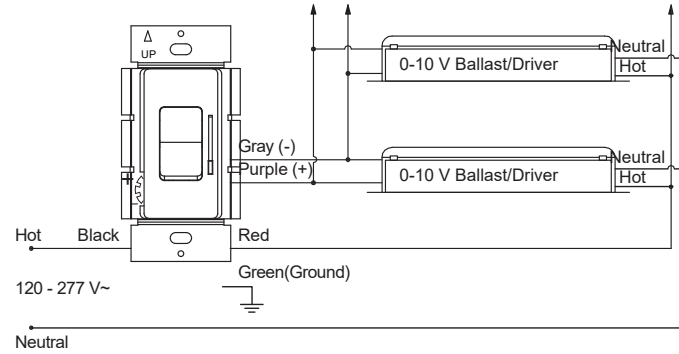
51300L

0-10V LED Dimmer
Single Pole/Three-Way



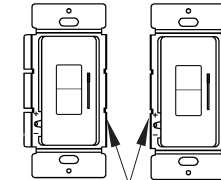
WIRING DIRECTIONS

Dimming With ON/OFF Control



MULTIGANG INSTALLATION

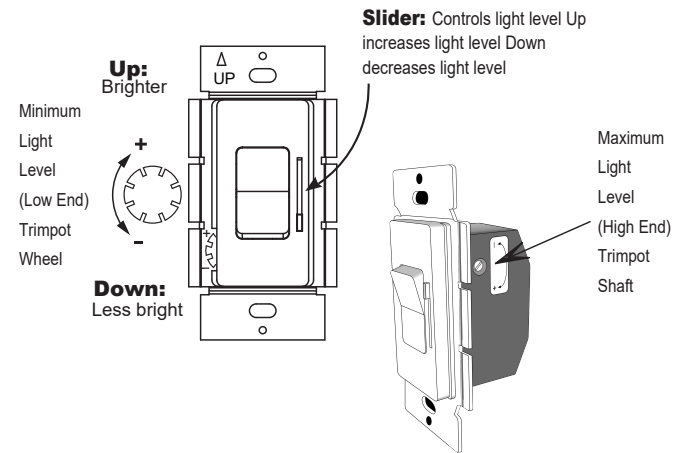
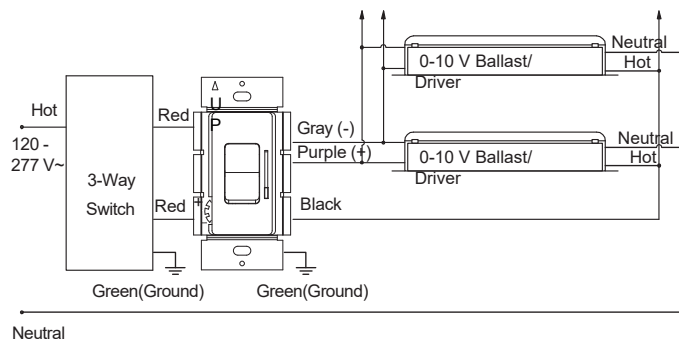
When installing more than one control in the same wall box, it may be necessary to remove the side tabs before installing (see below). Using pliers, bend each tab back and forth until they break off. Repeat for each tab to be removed. Removal of tabs WILL NOT effect maximum load capacity.



Tabs may be Removed for Multigang installation

DIMMER ADJUSTMENTS

Dimming With ON/OFF Control for 3-Way



Multi-gang Installation Rating:

Device Rating	Single-Gang Rating	Double-Gang Rating	Triple-Gang Rating
120V AC, 50-60Hz, 3A	120V AC, 50-60Hz, 3A	120V AC, 50-60Hz, 3A	120V AC, 50-60Hz, 3A
277V AC, 50-60Hz, 1A	277V AC, 50-60Hz, 1A	277V AC, 50-60Hz, 1A	277V AC, 50-60Hz, 1A
CFL/LED/Electronic self-ballasted	CFL/LED/Electronic self-ballasted	CFL/LED/Electronic self-ballasted	CFL/LED/Electronic self-ballasted

WARRANTY INFORMATION

This device is warranted to be free of material and workmanship defects for 2 years from the date of purchase. Original receipt or proof of purchase from an authorized retailer must be presented upon warranty claim. ALL claims must be verified and approved by Enerlites, Inc. Warranties from other Enerlites products may vary. This warranty is nontransferable and does not cover normal wear and tear or any malfunction, failure, or defect resulting from misuse, abuse, neglect, alteration, modification, or improper installation. To the fullest extent permitted by the applicable state law, Enerlites shall not be liable to the purchaser or end user customer of Enerlites products for direct, indirect, incidental, or consequential damages even if Enerlites has been advised of the possibility of such damages. Enerlites' total liability under this or any other warranty, express or implied, is limited to repair, replacement or refund. Repair, replacement or refund are the sole and exclusive remedies for breach of warranty or any other legal theory.

SPECIFICATIONS

Voltage120-277 VAC 60Hz
Load rating.....3A~120VAC, 1A~277VAC
0-10 V control link.....50mA
Operating Temperature.....32°F-104°F

DESCRIPTION/ FEATURES

The 51300L is a low voltage 0-10V dimmer. It powered by line voltage to operate each 0-10V LED driver or Fluorescent ballast. At 0 Volts the device will dim to the minimum light level allowed by the dimming driver, and at 10 Volts the device will be operating at 100%.

- Adjustable high-end and low-end trim-pot for maximum control over dimming range
- Constant memory returns light to previous level after a power failure
- Simple slide control lever to fade lighting up and down smoothly
- Switch 120-277VAC

WARNING

Turn the POWER OFF at the circuit breaker before installing the Dimmer

Read and understand these instructions before installing. This device is intended for installation in accordance with the National Electric Code and local regulations. It is recommended that a qualified electrician performs this installation. Make sure to turn off the circuit breaker or fuse(s).

Use copper wire only