

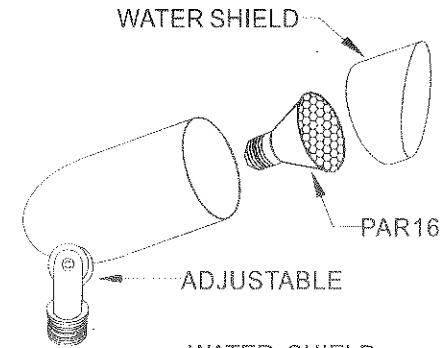
# LANDSCAPE FLOODLIGHT Installation Instructions

BLT-16  
76/645  
76/655

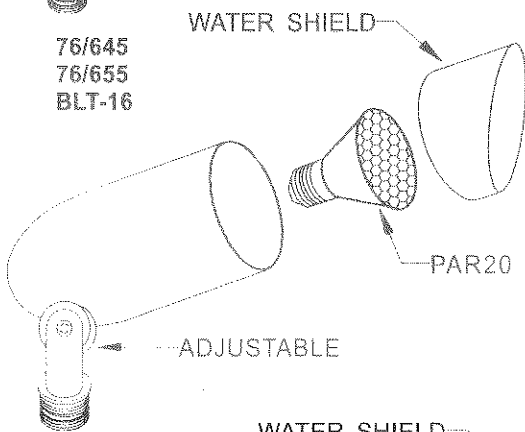
BLT-20  
76/646  
76/656

BLT-30  
76/647  
76/657

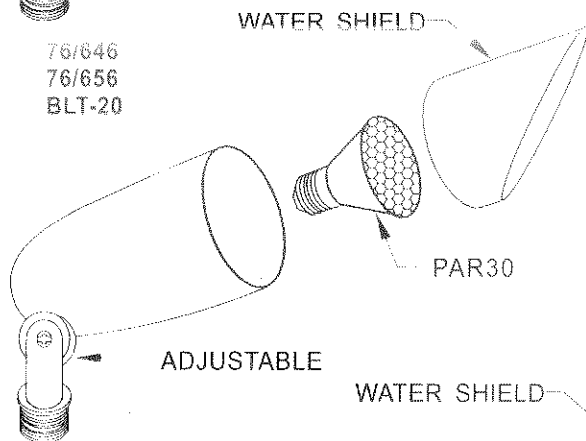
BLT-38  
76/648  
76/658



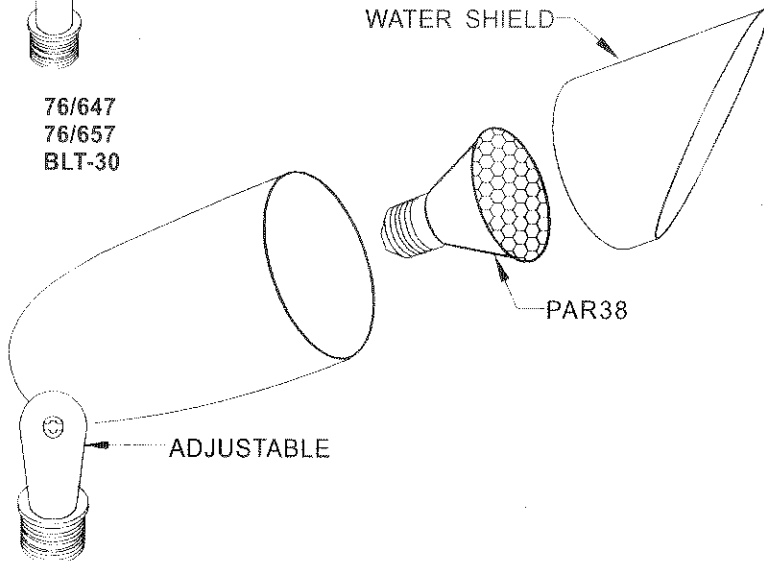
76/645  
76/655  
BLT-16



76/646  
76/656  
BLT-20



76/647  
76/657  
BLT-30



76/648  
76/658

## LANDSCAPE LIGHTING WILL BE INSTALLED BY PROFESSIONAL

- TURN OFF POWER
- OPEN WATER SHIELD AND INSTALL PAR16/PAR20/PAR30/PAR38 INCANDESCENT
- ROTATE WATER SHIELD IN TO DESIRED DIRECTION
- TO CONNECT WIRES USING WIRE NUTS EACH SUPPLY WIRE TO CORRESPONDING SOCKET WIRES
- ATTACH LANDSCAPE FLOODLIGHT TO STAKE POST OR CANOPY
- TURN ON POWER

