

LED DUSK TO DAWN

INSTALL INSTRUCTIONS

WARNING

PLEASE FIND A QUALIFIED ELECTRICIAN FOR INSTALLATION. Please read the instructions before you install and use the luminaire.

WARNING, CAUTIONS AND OPERATING INSTRUCTIONS

- To reduce the risk of death, personal injury or property damage from fire, electric shock, falling parts, cuts/abrasions, and other hazards read all warnings and instructions included with and on the fixture box and all fixture labels.
 - Before installing, servicing, or performing routine maintenance upon this equipment, follow these general precautions.
 - Commercial installation, service and maintenance of luminaires should be performed by a qualified licensed electrician.
 - For The installation: If you are unsure about the installation or maintenance of the luminaires, consult a qualified licensed electrician and check your local electrical code.
 - To prevent wiring damage or abrasion, do not expose wiring to edges of sheet metal or other sharp objects.
 - Do not make or alter any open holes in an enclosure of wiring or electrical components during kit installation.
- This fixture is intended to be connected to a properly installed and grounded UL listed junction box.

WARNING: RISK OF FIRE OR ELECTRICAL SHOCK

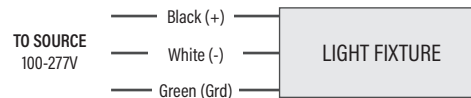
- Turn off electrical power at fuse or circuit breaker box before wiring fixture to the power supply.
- Turn off the power when you perform any maintenance.
- Verify that supply voltage is correct by comparing it with the luminaire label information.
- Make all electrical and grounded connections in accordance with the National Electrical Code and any applicable local code requirements.
- All wiring connections should be capped with UL approved wire connectors.

CAUTION: RISK OF INJURY

- Avoid direct eye exposure to the light source while it is on.
- Account for small parts and destroy packing material, as these may be hazardous to children.
- Suitable for Wet locations, IP65.

INSTALLATION

GENERAL WIRING - CAUTION: Turn off electrical power at fuse or circuit breaker box before wiring fixture to the power supply.



DIRECT MOUNTING

1. Inspect every component to ensure all can work properly.
2. Drill three mounting holes according the position of the mounting hole. (FIG.2)
3. Fix two screws of the lower-most mounting into the hole locations, do not tighten the screws fully, leaving some head space for hooking the fixture arm. (FIG.3)
4. Hook the fixture arm onto the two screws, insert and tighten the top screw. (FIG.4). Tighten the other two screws.
5. Ensure power is OFF. Remove the junction box cover. Follow General Wiring Diagram above. Secure any loose wiring connections safely inside junction box and cover up the wiring compartment cover.
6. Secure power supply inside wiring compartment using one half connector.
7. Secure the fixture is covered by wiring compartment.

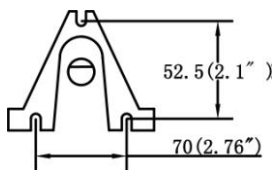


FIG.2

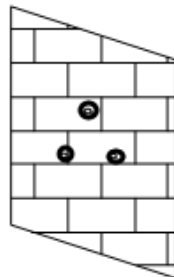


FIG.3

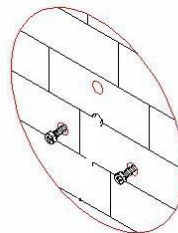
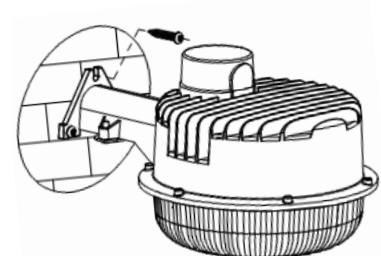


FIG.4

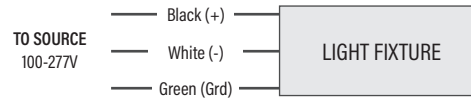


LED DUSK TO DAWN

INSTALL INSTRUCTIONS

INSTALLATION

GENERAL WIRING - CAUTION: Turn off electrical power at fuse or circuit breaker box before wiring fixture to the power supply.



ARM MOUNTING

1. Inspect every component to ensure all can work properly.
2. Connect the split arms by using the nut and bolt. (FIG.5)
3. Refer to the General Wiring Diagram above. Secure any loose wiring connections safely inside wiring compartment and cover up the wiring compartment cover.
4. Insert the arm into the U-slot of the fixture, then secure the arm with the hex screws. (FIG.6)
5. Put the safety clamp onto the base of the arm, fix the screws and ensure the arm does not rotate. (FIG.7)
6. Tighten the four screws on surface to mount the arm and fixture. (FIG.8)
7. Connect the wiring to power through the conduit connector and connection plug.

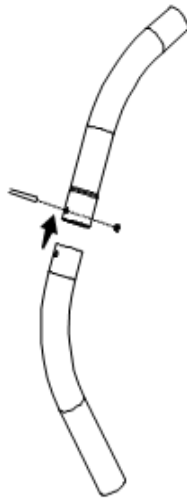


FIG.5

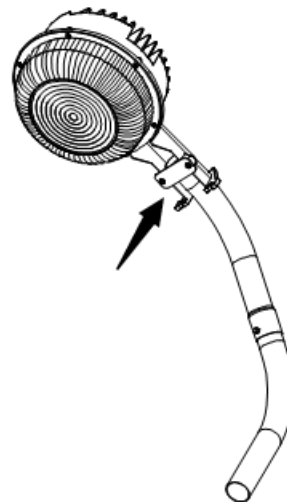


FIG.6

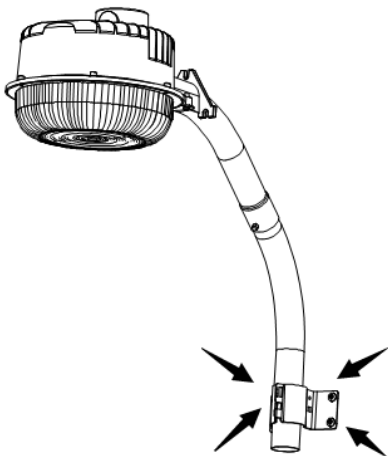


FIG.7

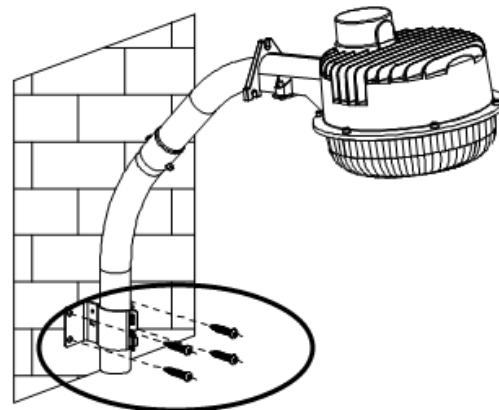


FIG.8