



LED High Bay

High efficiency LED High Bays. Use anywhere you need exceptional light distribution for mounting heights up to 40 feet.

LIMITLESS OPTIONS for the following applications:

- Warehouses
- Commercial Facilities
- Manufacturing Facilities
- Aisles (Open and Stack)



Great Features/Benefits

- Energy efficient – Up to 64% energy savings compared to HID
- Smooth, uniform dimming
- Instant on
- Long life: 50,000 hours
- Replaces traditional metal halide and linear fluorescent high bay systems
- Excellent color rendering
- Heavy duty 20 gauge housing is code grade steel

LED High Bay

Features/Benefits

Up to 64% less energy than HID alternatives.	Instant energy savings; potential rebate eligibility.
Long 50,000 hour rated life.	Minimizes replacements & maintenance costs.
Very low heat generation.	Less energy wasted as heat.
Excellent color consistency & CRI.	Enhances color of focal point while maintaining uniformity throughout lighting installation.
UL approved for damp location.	Can be used outdoors when protected from elements. Withstands humidity indoors/outdoors.

Specifications

Input Line Voltage	120-277 & 347-480 VAC
Input Power	107W
Input Line Frequency	50/60HZ
Luminaire Life (Rated)	50,000 hours
Controls	0-10V dimming (standard)
Minimum Starting Temperature	-30°C
Maximum Operating Temperature	50°C
CRI	83
Power Factor	>0.9
THD	<20%

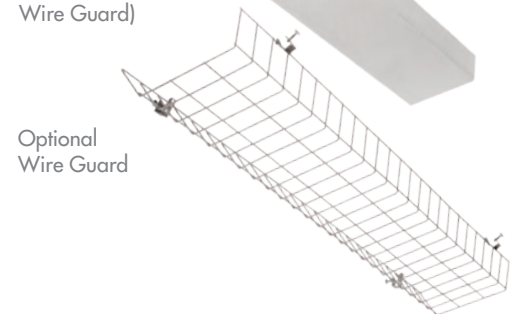
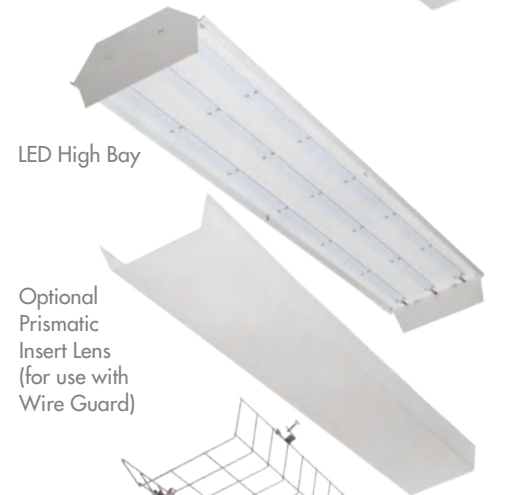
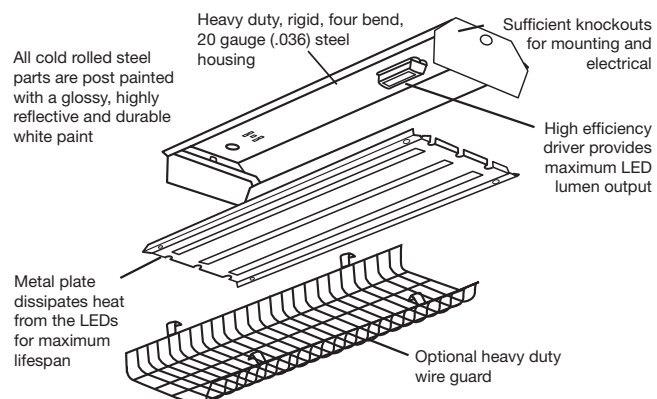
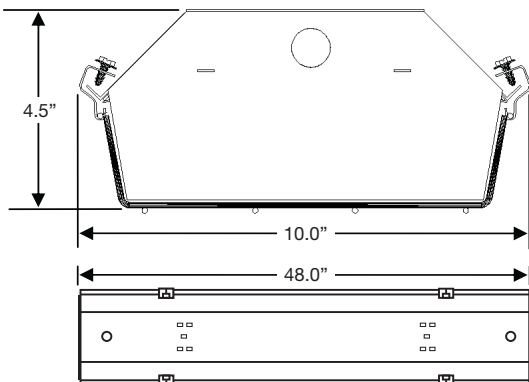
Warranty

Five year limited warranty against defects in manufacturing.

Replacement Comparison

TYPE	WATTAGE	ENERGY SAVINGS (%)
TCP LED High Bay	107W	—
250W Metal Halide	295W	64%
6 Lamp T8 HBF	220W	51%
4 Lamp T5 HO	249W	57%

Dimensions and Mounting Data



5 YEAR WARRANTY

Applications

The TCP LED High Bay's superior lumen package is ideal for replacing traditional metal halide and linear fluorescent low bay systems. Benefits include high efficiency, excellent color rendering, long life, instant on, and improved uniformity. Suggested mounting heights from 20' - 40' with primary applications including warehousing, commercial facilities, manufacturing facilities, open and stack aisle applications.

Construction

The full body assembly features TCP high efficiency drivers and high output LEDs. The LED High Bay's heavy duty 20 gauge housing and 8 gauge wire guard is code gauge steel and all components, excluding the wire guard, have a baked white enamel finish that is electrostatically applied and post painted with a glossy, highly reflective and durable white paint.

Electrical

TCP high efficiency drivers are Class 2 rated, cULus listed, and provide consistent power to ensure even lighting from the long life LEDs. Each driver is matched to a light engine to deliver 50,000 hours life. Our drivers are tightly secured by mounting bolts. 0-10V dimming comes standard.

Optics

The optional impact resistant acrylic diffuser comes in two styles. The prismatic insert lens is for use with the wire guard, while the prismatic wraparound lens is used on its own without the wire guard.



Installation

Suspension by chain, cable, or hook with appropriate accessories.

Warranty

Five year limited warranty against defects in manufacturing.

Listings

cULus Listed – damp location rated
RoHS Compliant

Catalog Ordering Matrix Example: TCPHB4UNIZDL150K

TCP	HB4		ZD	L1		
BRAND	FAMILY	VOLTAGE	CONTROLS/DIMMING	LUMEN PACKAGE (Power) ¹²	COLOR TEMPERATURE	OPTIONS
TCP	HB4 – 4' LED High Bay	UNI – 120V-277V UHV – 347V-480V	ZD – 0-10V Dimming	L1 – 12,000 lumens (107W)	41K – 4100K 50K – 5000K	(see below)

¹ Approximate lumen output. Actual performance may vary based on CCT, options selected and end user application.

² Actual wattage may differ by +/- 10%.

OPTIONS (Add to catalog number in order shown)

1 POWER CORDS

- 6C - 6' PCord 300V 16/3 SJTOOW NO PLUG
- 6C4 - 6' PCord 300V 18/4 SJTOW NO PLUG
- 6W - 6' WHIP PCord 600V 16/3 NO PLUG
- 10C - 10' PCord 277V SJTOOW NO PLUG
- 10C6 - 10' PCord 600V 15A 16/3 STOW NO PLUG
- 20C - 20' PCord 277V 20A 16/3 SJTOOW NO PLUG
- 20C4 - 20' PCord 300V 18/4 SJTOW NO PLUG

2 OCCUPANCY SENSORS

- TS1 - TCP Occupancy Sensor w/bracket and interchangeable lenses, 40' or less, 120V, 277V, or 347V.
- TS1C - TCP Cold Storage Occupancy Sensor w/bracket and interchangeable lenses, 40' or less, 120V, 277V, or 347V.
- TS4 - TCP Occupancy Sensor w/bracket and interchangeable lenses, 40' or less, 480V.
- TS4C - TCP Cold Storage Occupancy Sensor w/bracket and interchangeable lenses, 40' or less, 480V.
- LS1D - Leviton Occupancy Sensor w/ Daylight Harvesting – PIR, 40' or less, 120V-277V.
- LS3D - Leviton Occupancy Sensor w/ Daylight Harvesting – PIR, 40' or less, 347V.

3 WIRE GUARD / LENS

- WG - Wire Guard
- PIL - Prismatic Insert Lens, to be used with Wire Guard
- PWL - Prismatic Wrap Lens, not to be used with Wire Guard

4 SPECIAL MOUNTING

- HCB - Hub Connector Box - 3/4" Threaded Hub Mount

5 SPECIAL PACKAGING

- SP - Single Packed

6 EMERGENCY BACK-UP

- EB - Emergency Back-Up, maximum height 24' per UL924, 120V-277V.

AVAILABLE HANGING KITS (ordered separately)

- EZHANGER - 15' adjustable aircraft cable hanging kit

AVAILABLE ACCESSORIES (ordered separately)

- PCWG - Wire Guard kit complete with Wire Guard and hardware
- PCINSERTLENS - Prismatic Insert Lens, to be used with Wire Guard
- PCWRAPLENS - Prismatic Wrap Lens, not to be used with Wire Guard