

LED Corn Bulb Lamp Series



5 Years Warranty

Specifications

Model	PLT-6102
Rate Power	44W
Input Voltage	AC100-277V 50-60Hz
CCT	4000K
Power Factor	≥0.9
CRI	>80
Lumen	5581lm
Chips	Samsung
LED Quantity	135LEDs 0.3W
LED LM80	Yes



Samsung LM561B



Rubycon

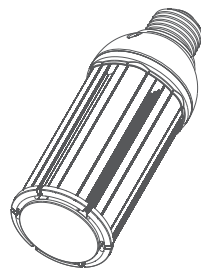
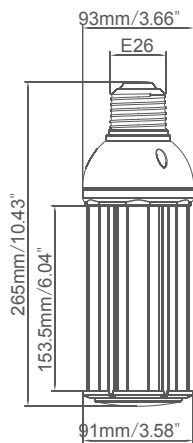


E26

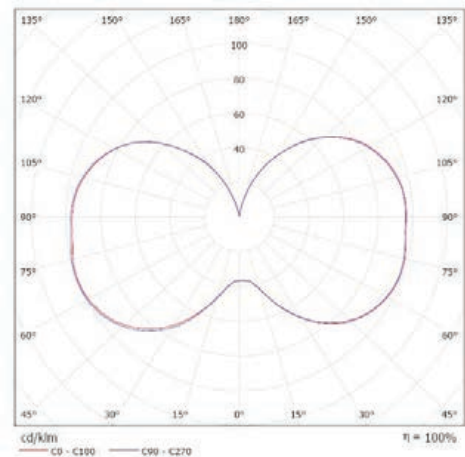


JAE Connector

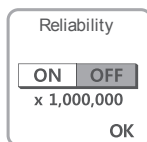
Dimension



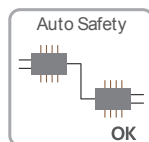
Luminous emittance



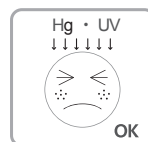
Long Lifespan of 10years



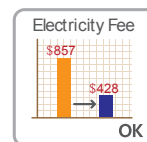
Reliability Test



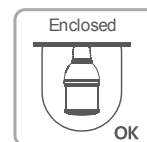
Safety Protection Circuit



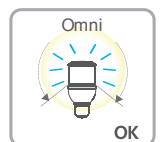
No Mercury No UVLight



Big Saving(87%) on Electricity Costs

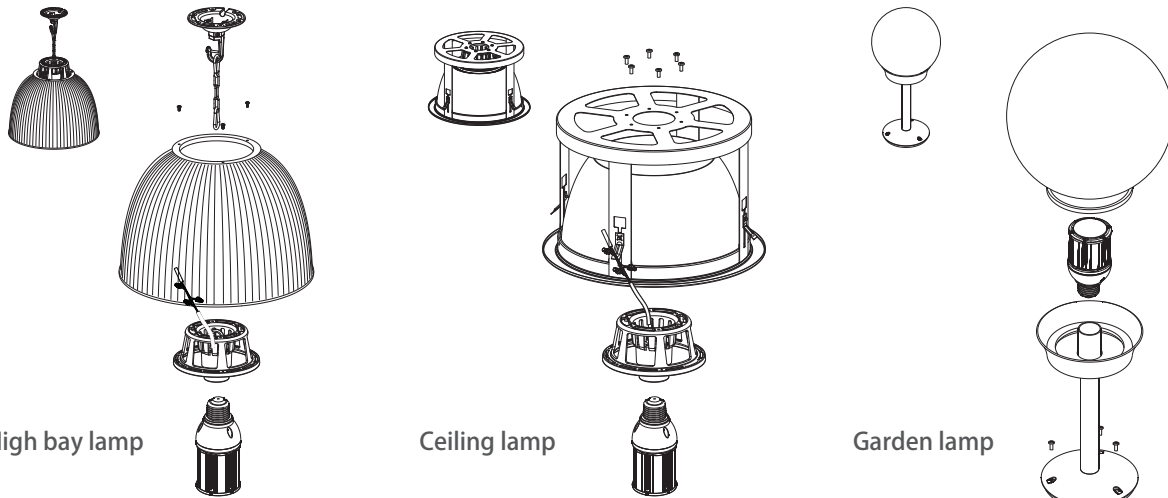


Usable in Enclosed Luminaires



Omni Wide Angle

Installation



High bay lamp

Ceiling lamp

Garden lamp

Absolute Maximum Rating

Parameter	Rating	Units
Aluminum Heat Sink Temperature	64.9	° C
Operating Temperature	-20~+65	° C
Storage Temperature	-40~+80	° C
Equilibrium Temperature	25	° C

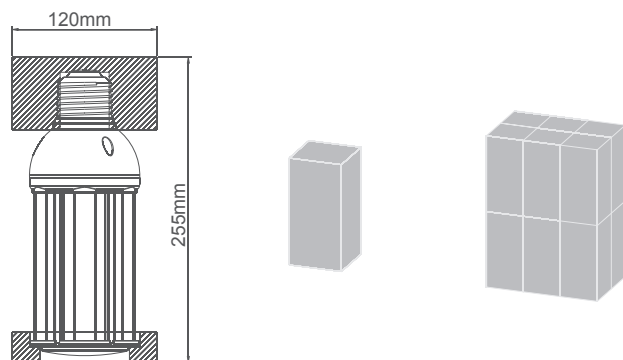
Label

LED Corn Bulb lamp
Model:PLT-6102
AC100-277V 50-60Hz
Power:45W CCT:4000K

LED Corn Bulb lamp
Model:PLT-6102
AC100-277V 50-60Hz
Power:45W CCT:4000K

Product Packing Specification

Packing Details	
Pack Quantity	12pcs
Net Weight	2lbs/933g
Gross Weight Per CTN	30.2lbs/13.7kg
Box Size	126*126*296mm
CTN Size	395*266*612mm



⚠ CAUTIONS

- Make sure remove the traditional ballast before replace the LED corn light.
- Don't take apart the product or replace mechanical and electronic components.
- Don't stare at the strong light for a long time as it may cause injury to eyes.