



## TECHNICAL DATA SHEET

### FEATURES

- Durable, die casting aluminum housing with tempered glass.
- Bronze powder coat finish, corrosion and weather resistant.
- Sealed to keep out moisture and environmental contaminants.

# 83740 BULLET FLOOD

ARCHITECTURAL FLOOD AND SPOT  
LUMINAIRES

### APPLICATION:

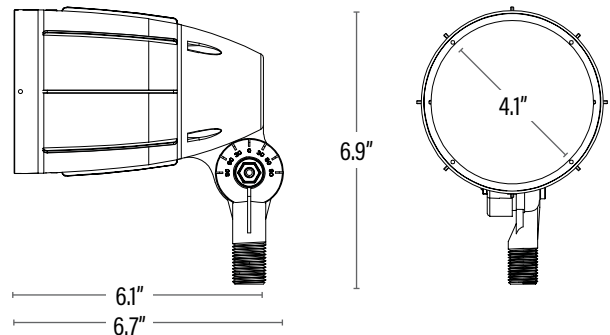
Landscape lighting and wall washing.

## PRODUCT DETAILS

ELECTRICAL	
Wattage	12W
Voltage	100-277V
Current	0.093A
Power Factor	0.9
Total Harmonic Distortion (THD)	14.4
LIGHTING PERFORMANCE	
Lumens	1202
Lumens Per Watt (Lm/W)	100
Color Temperature (CCT)	3000k
Color Rendering (CRI)	73
Beam Angle	60°
Light Distribution	Type VS
Dimmable Lighting Control	
ENVIRONMENT	
Operating Temperature	-35°C ~ 40°C
Suitable Location	<b>WET</b>
Ingress Protection Rating	IP65
LIFESPAN	
Average Life (Hours)	50,000
Warranty (Years)	<b>5</b>
CERTIFICATIONS	



COMPONENTS	
LED Light Source	Nichia LED NF2L757DR
Driver	Yiguang LP12W-36-c0350
CONSTRUCTION	
Housing	Aluminum / Prismatic Lens
Base / Power Supply	Hard Wired
Finish	Bronze
PACKAGING	
Master Carton	4pc / 10811768029410
Individual Box	811768029413
Country of Origin	China
HS Tariff	9405.40.6000
DIMENSIONS	
Dimensions (Inches)	6.7"(W) x 6.9"(H) x 4.1"(DIA)



## ORDERING

ITEM#	DESCRIPTION	CASE
83740	LED 12W BULLET/FL/3000K/100-277V - DLC	4