

6" DOWNLIGHT 16W

TITANIUM LED CRI^{SP} SERIES 3.0



CRI^{SP}



HIGH CRI

LED TECHNOLOGY

16W REPLACES

75W Inc.

80% Energy Savings

Can be used for
T24 2013
California Title 24
High Efficacy
Compliant

\$195 Savings per lamp*

- Ⓞ Meets CEC's California Quality Spec
- Ⓞ Exceptional color rendering CRI 92
- Ⓞ Richer reds and natural skin tones (R9 60, R13 98)
- Ⓞ Tight LED binning for consistent CCT across all lamps
- Ⓞ Comfortable diffused light
- Ⓞ Smooth dimming with existing dimmers

35,000 H

DIMMABLE

50 LPW EFFICACY

5 YR WARRANTY

CRI (Ra)

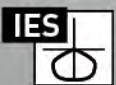
LUMILEDS



LM 79

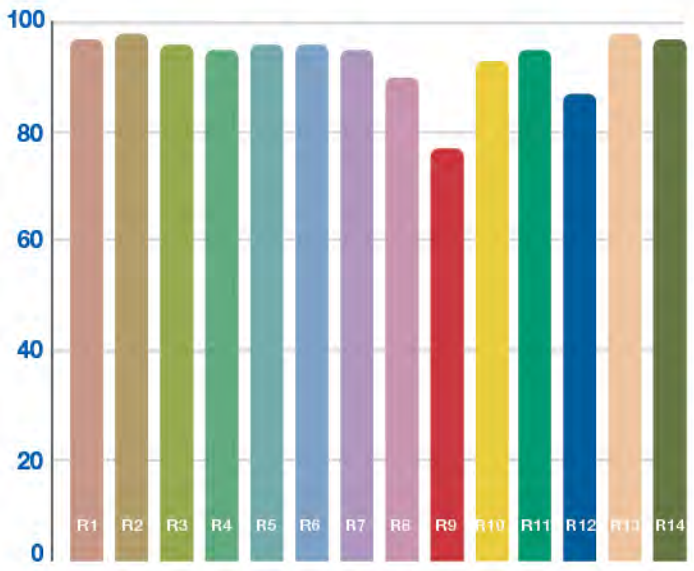
LM 80

TM 21



COLOR RENDERING INDEX & CALIFORNIA QUALITY SPEC

CRI Values R1 - R14



The CRI^{SP} SERIES 6" DOWNLIGHT 16W fixture features the latest in color rendering LED technology. With a typical CRI 92, R9 60, and R13 98, this high-performance downlight provides crisp and vibrant colors across the whole spectrum.

CRI is calculated by taking the average value from colors R1-R8. So while some LEDs may claim to have a high CRI, they may do a poor job portraying other key colors like R9 (reds) and R13 (skin tones).

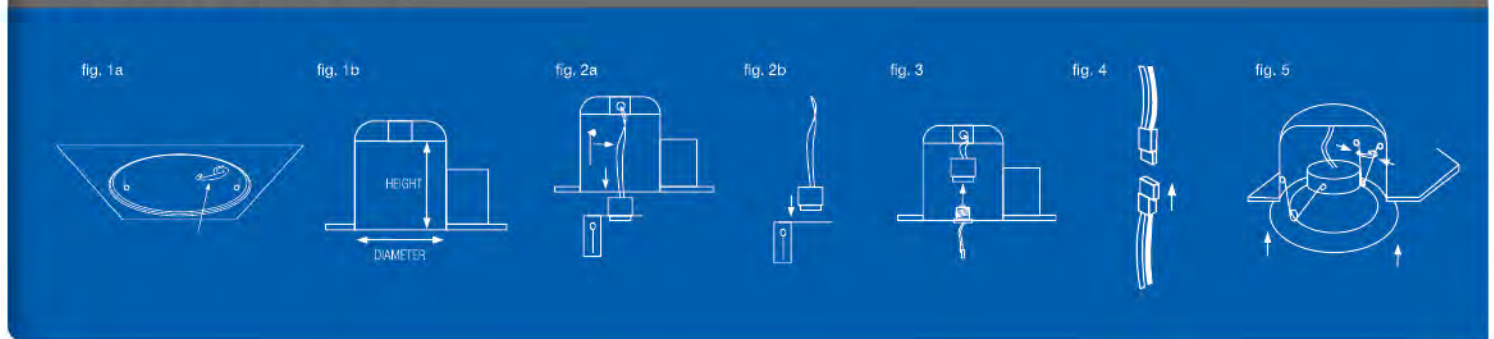
The CRI^{SP} SERIES 6" DOWNLIGHT's exceptional R9-R14 values (R9 60, R13 98) provide redder reds, natural looking skin tones, and whiter whites. This fixture is not only ENERGY STAR qualified but also meets the more stringent California Quality Specification set forth by the California Energy Commission (CEC).

In addition to requiring a CRI of 90 or above, the California Quality Spec demands color temperatures fall within a 4-step Macadam ellipse to ensure minimal color deviation across lamps.

More CEC information available at www.gc-lighting.com

Lighting facts Per Bulb, **Brightness** 800, 750 lumens
Estimated Yearly Energy Cost \$1.93
 (Based on 3 hrs/day, 11 ¢/kWh. Cost depends on rates and use)
Life 32 years (Based on 3 hrs/day), **Energy Used** 16 watts
Light Appearance 3000K, 2700K

EASY INSTALLATION



INCANDESCENT HOUSING INSTALLATION

- Step 1. Make sure the **POWER IS TURNED OFF** at the source to the recessed housing inside which you are installing the product. Once power has been turned off, remove existing trim and bulb.
- Step 2. Unscrew the lamp socket mounting bracket inside the recessed housing (fig. 2a). Unclip the lamp socket from the bracket and remove the bracket (fig. 2b).
- Step 3. Screw Edison base adaptor into the socket (fig. 3).
- Step 4. Connect the female connector of the retrofit kit to the male connector of the socket adaptor (fig. 4).
- Step 5. Squeeze the springs of the retrofit kit and insert them inside the housing retaining bracket (fig. 5). Carefully tuck all the wire inside the can and gently push retrofit kit up flush to ceiling surface.

LED HOUSING INSTALLATION

- Step 1. Connect the female connector of the retrofit kit to the male connector of the LED housing (fig.4) and then proceed to step 5 on the left.

HOUSING COMPATIBILITY

Compatible with most standard 6" insulated and non-insulated housings that have spring retaining brackets inside the can (fig. 1a). Compatibility of housing may be determined by measurement of the housing as detailed in fig. 1b where diameter should be 5.75" to 6.5" and Height Min. 6.5".

SPECIFICATIONS**

Product Model	40711 16DL6G3DIM/930	40710 16DL6G3DIM/927
Type	6" downlight	6" downlight
Base	E26 (GU24 optional***)	E26 (GU24 optional***)
Power (W)	16	16
Voltage - Frequency	120V 60Hz	120V 60Hz
Color Temp. (ANSI)	Warm White 3000K	Warm White 2700K
CRI (Ra) (typ.)	92	92
R9 / R13 (typ.)	60 / 98	60 / 98
Typical lumens (lm)	800	750
Efficacy (LPW)	50	47
Dimmable	Yes****	Yes****
Housing compatibility	Most 6" housing	Most 6" housing
Power Factor	0.9	0.9
Rated Lifetime - L70 (hrs.)	35,000	35,000
Dia. x MOL	7.24"x3.98" (184x101 mm)	7.24"x3.98" (184x101 mm)
Weight (lb. / g)	0.90lb / 410g	0.90lb / 410g

* Savings per lamp based on \$0.11 / kw energy cost, 12 hrs / day lamp usage, \$4 incandescent with 1000 hr lifetime, \$35 LED with 35,000 hr lifetime

** Specification data is preliminary and may be subject to change

*** GU24 connector can be ordered separately. Ref. 09-GU24

**** List of tested dimmer switches available on website

***** Suitable for damp locations. Not for use where directly exposed to weather or water