

Important: Read all instructions prior to installation

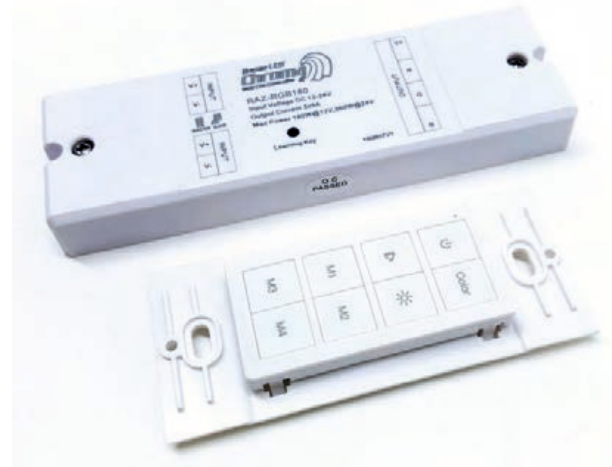
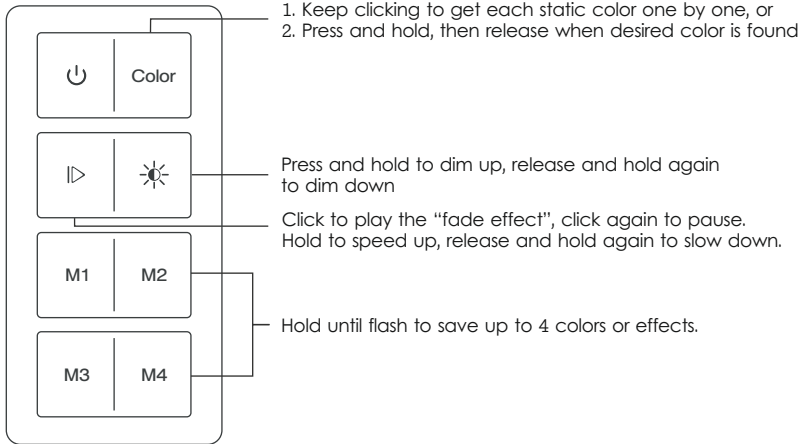
Wireless Chroma RGB LED Controller

12-36vdc LED Wall+Mini Remote Control

Parts Included

- 1 - Multi-Function Wall Dimmer Control
(or use as mini touchpad remote)
- 1 - CR2032 Long Life Battery
- 1 - Installation Instructions

Description of Buttons



RAZ-CRGB LED Dimmer Wall Switch

Operating Voltage	Operating Frequency
Cr2032 Battery	434 MHz/868 MHz

RAZ-RGB180 LED Receiver

Input	Current	Output	Remarks
12VDC	3X5A	180 Watts Max	Constant Voltage
24VDC	3X5A	360 Watts Max	Constant Voltage

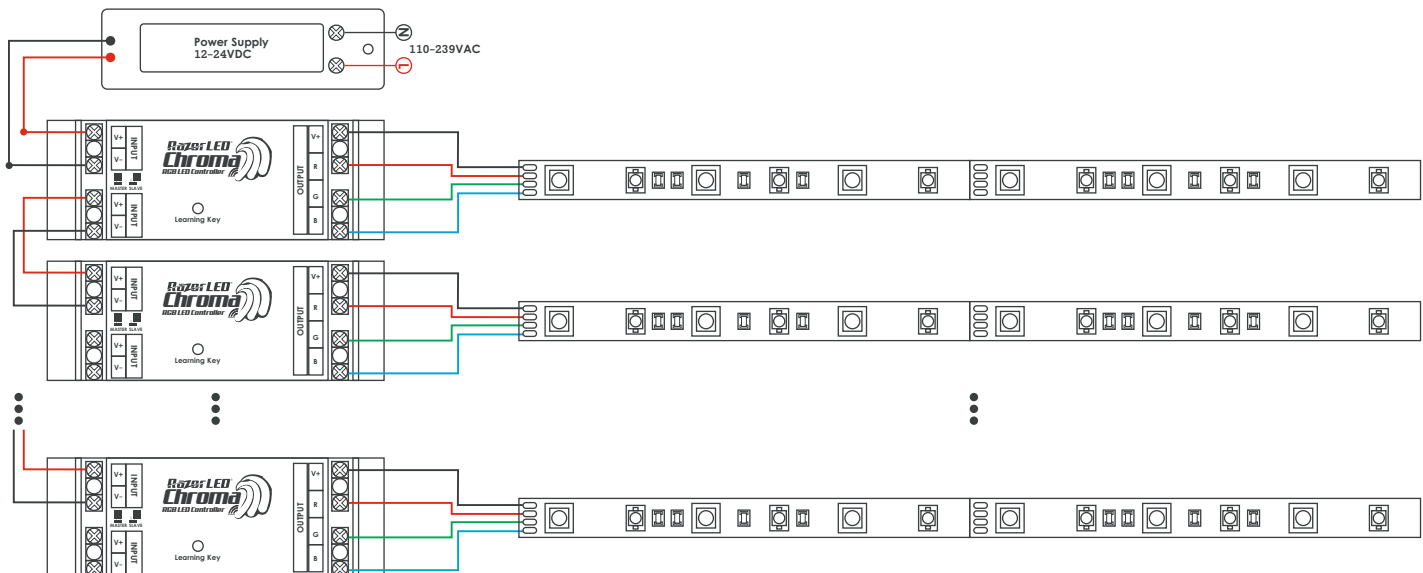
Safety

DO NOT expose the remote or receiver to direct or indirect moisture

Operation

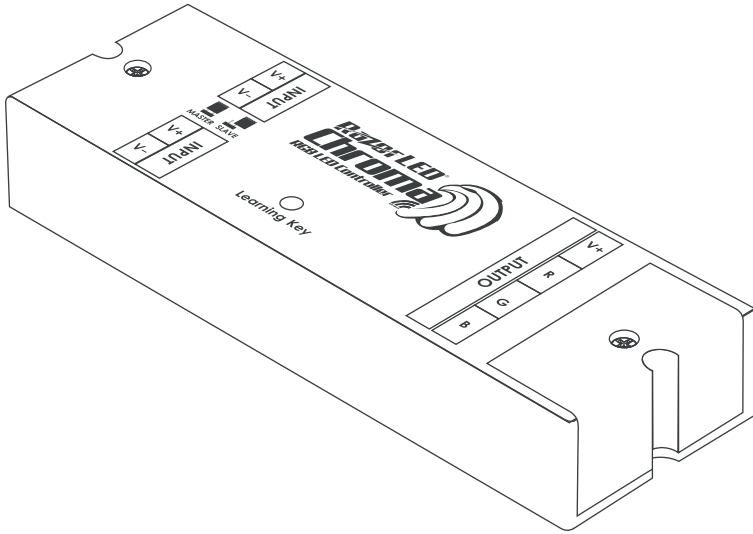
- Do wiring according to connection diagram
- Learning (matching):
 - Press and release the "Learning" button on the Receiver, then immediately press and release the Remote "Color" button. The LED lights will blink off and on to indicate the Receiver and Remote have been paired.
- How to delete the pairing
 - Hold the "Learning" button on the Receiver for about 5 seconds
- To make a good sync effect playing off multiple receivers, you can set only 1 receiver as **Primary**, all the others as **Companion** as shown in the wiring diagram below. (Please note: An FLX-L13060 Signal Repeater may be necessary depending on tape light run lengths.)

Wiring Diagram



RAZ-RGB180 HOOKUP GUIDE

The following steps(1-3) were taken to customize your RazorLED RAZ-RGB180 Receiver for use with 1000Bulbs.com RGB tape light offerings. Steps 4-6 prepare your project for pairing instructions.

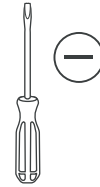


Pre-installation

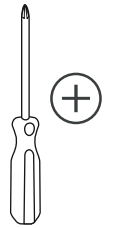
Tools required



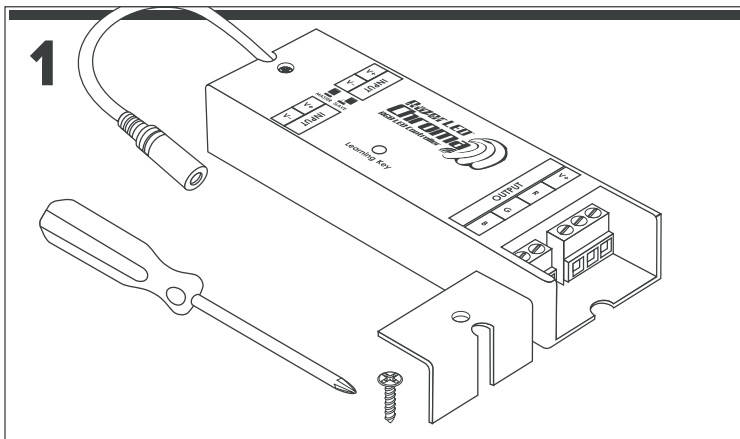
Wire Strippers



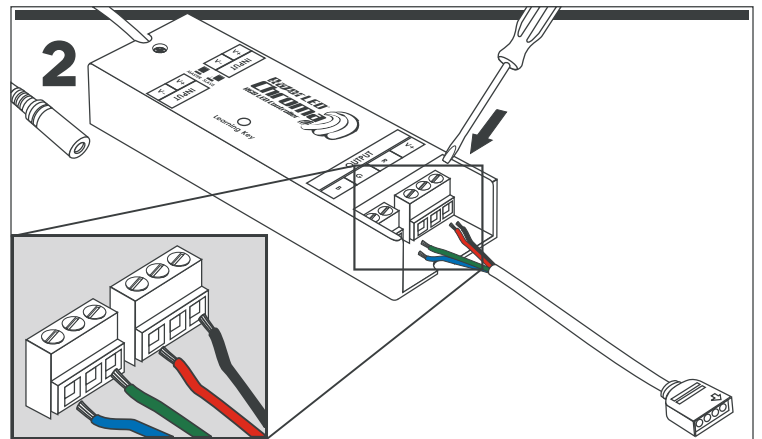
Flat Blade Screwdriver



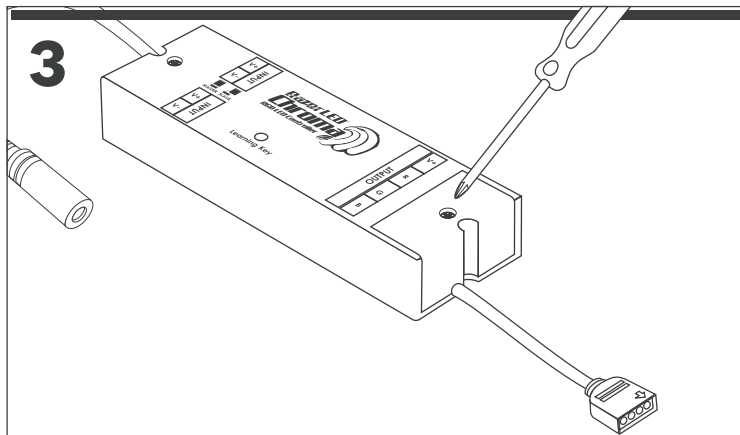
Phillips Screwdriver



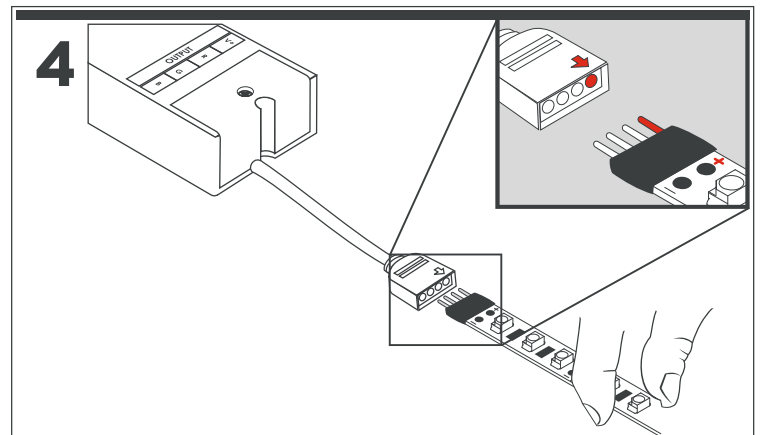
1. Remove cover with Phillips screwdriver.



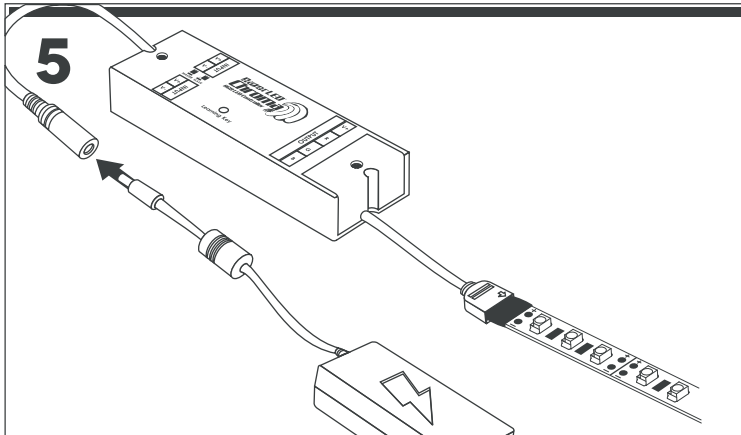
2. Loosen 4 of the 6 flat head terminal screws using the flat blade screwdriver. Connect the 4-pin connector wires as shown. Left to Right (Blue, Green, Red wires) (+ Black wire) Tighten screws.



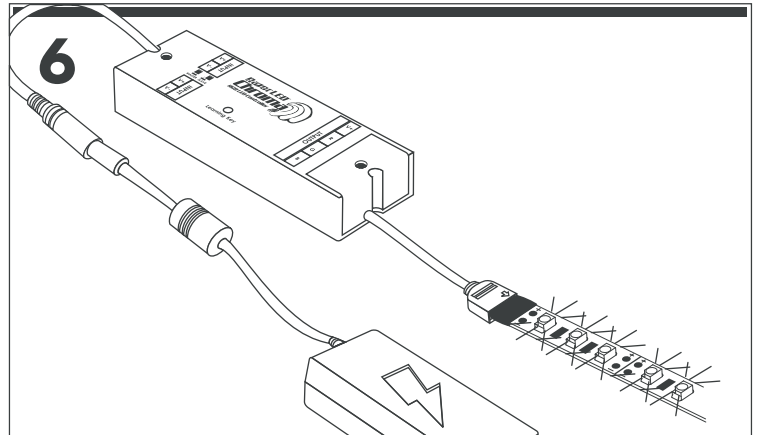
3. Attach cover with Phillips screwdriver. Do not over tighten.



4. Insert LED Strip into the 4 plug connector. Press firmly to ensure secure connection



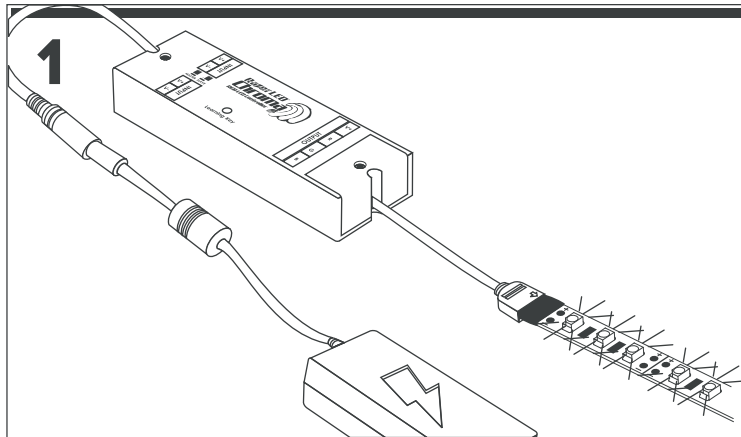
6. Connect the male end of the power supply to the Female plug cable.



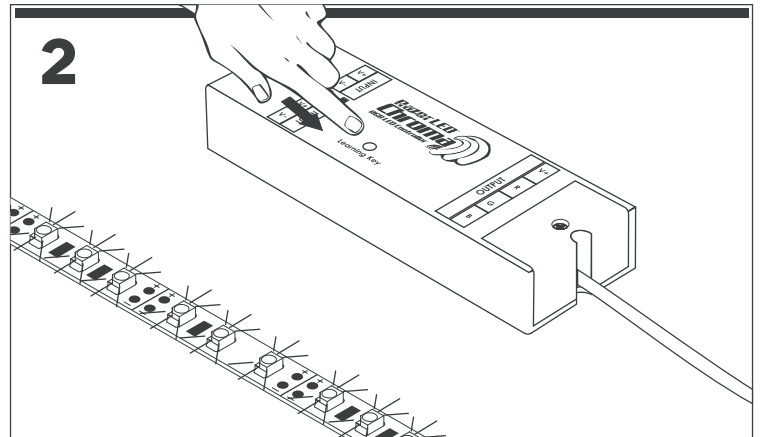
7. Plug in the power supply and proceed to the pairing instructions

PAIRING INSTRUCTIONS

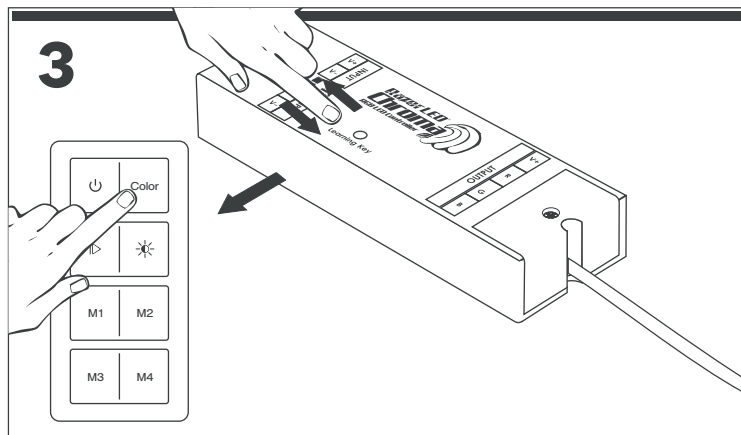
After you have wired all the receivers according to your project requirements, do the following:



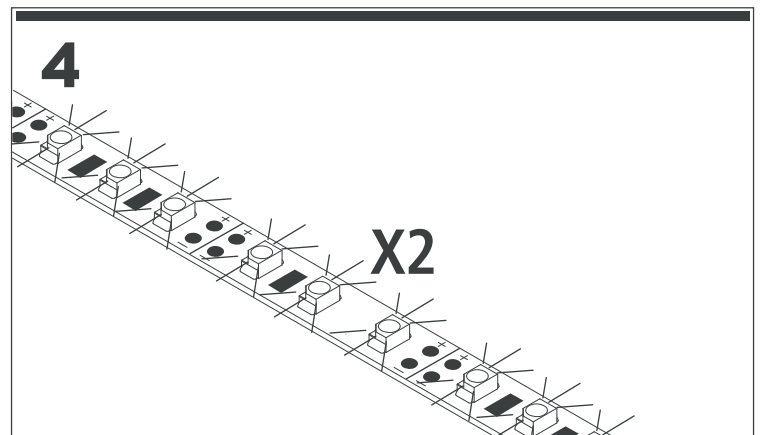
1. To **“pair”** the Remote with the Receiver, start by powering up the unit with the LED lights hooked to it.



2. Press and release the **“Learning”** button on the receiver, then immediately...



3. Press and release the Remote **“Color”** button



4. Once you do that, the lights will blink off and on. Now your **Remote and Receiver are paired.**