

LED LOUVERED HIGH BAY

INSTALL INSTRUCTIONS

PLEASE FIND A QUALIFIED ELECTRICIAN FOR INSTALLATION. Please read the instructions before you install and use the luminaire.

WARNING, CAUTIONS AND OPERATING INSTRUCTIONS

- To reduce the risk of death, personal injury or property damage from fire, electric shock, falling parts, cuts/abrasions, and other hazards read all warnings and instructions included with and on the fixture box and all fixture labels.
- Before installing, servicing, or performing routine maintenance upon this equipment, follow these general precautions.
- Commercial installation, service and maintenance of luminaires should be performed by a qualified licensed electrician.
- For The installation: If you are unsure about the installation or maintenance of the luminaires, consult a qualified licensed electrician and check your local electrical code.
- To prevent wiring damage or abrasion, do not expose wiring to edges of sheet metal or other sharp objects.
- Do not make or alter any open holes in an enclosure of wiring or electrical components during kit installation.

WARNING: RISK OF FIRE OR ELECTRICAL SHOCK

- Turn off electrical power at fuse or circuit breaker box before wiring fixture to the power supply.
- Turn off the power when you perform any maintenance.
- Verify that supply voltage is correct by comparing it with the luminaire label information.
- Make all electrical and grounded connections in accordance with the National Electrical Code and any applicable local code requirements.
- All wiring connections should be capped with UL approved wire connectors.

CAUTION: RISK OF INJURY

- Avoid direct eye exposure to the light source while it is on.
- Account for small parts and destroy packing material, as these may be hazardous to children.
- Suitable for Dry or Damp locations.

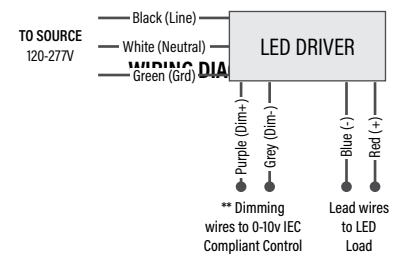
INSTALLATION

WARNING - Disconnect power before installing or servicing

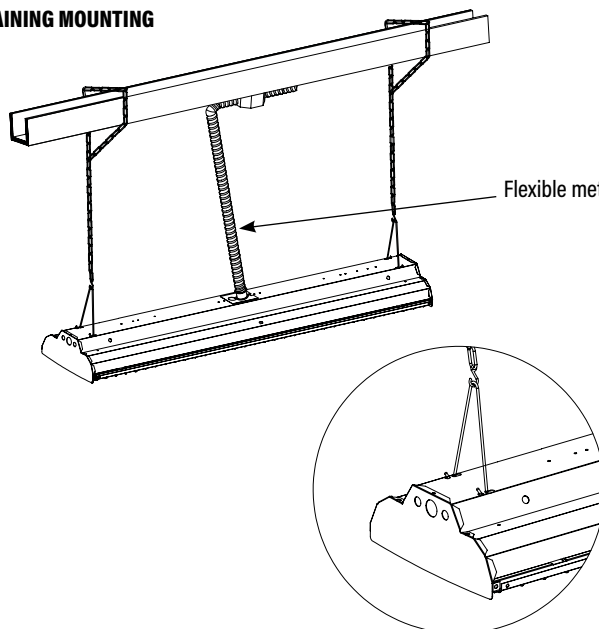
Remove the new LED fixture from packaging and inspect for any damages. Handle with care.

CHAIN MOUNT: Attach the provided chains to the included v-hooks, insert the v-hooks into the slotted holes on top of both ends of the fixture. Connect the wires to the AC power grounding leads and make sure the wires are enclosed in flexible metal conduit.

PENDANT MOUNTING: Attach the pendant mounting bracket on the top at both ends using the nuts and bolts provided. Insert the stems into the holes on the top of brackets and secure with nuts and bolts.



CHAINING MOUNTING



PENDANT MOUNTING

